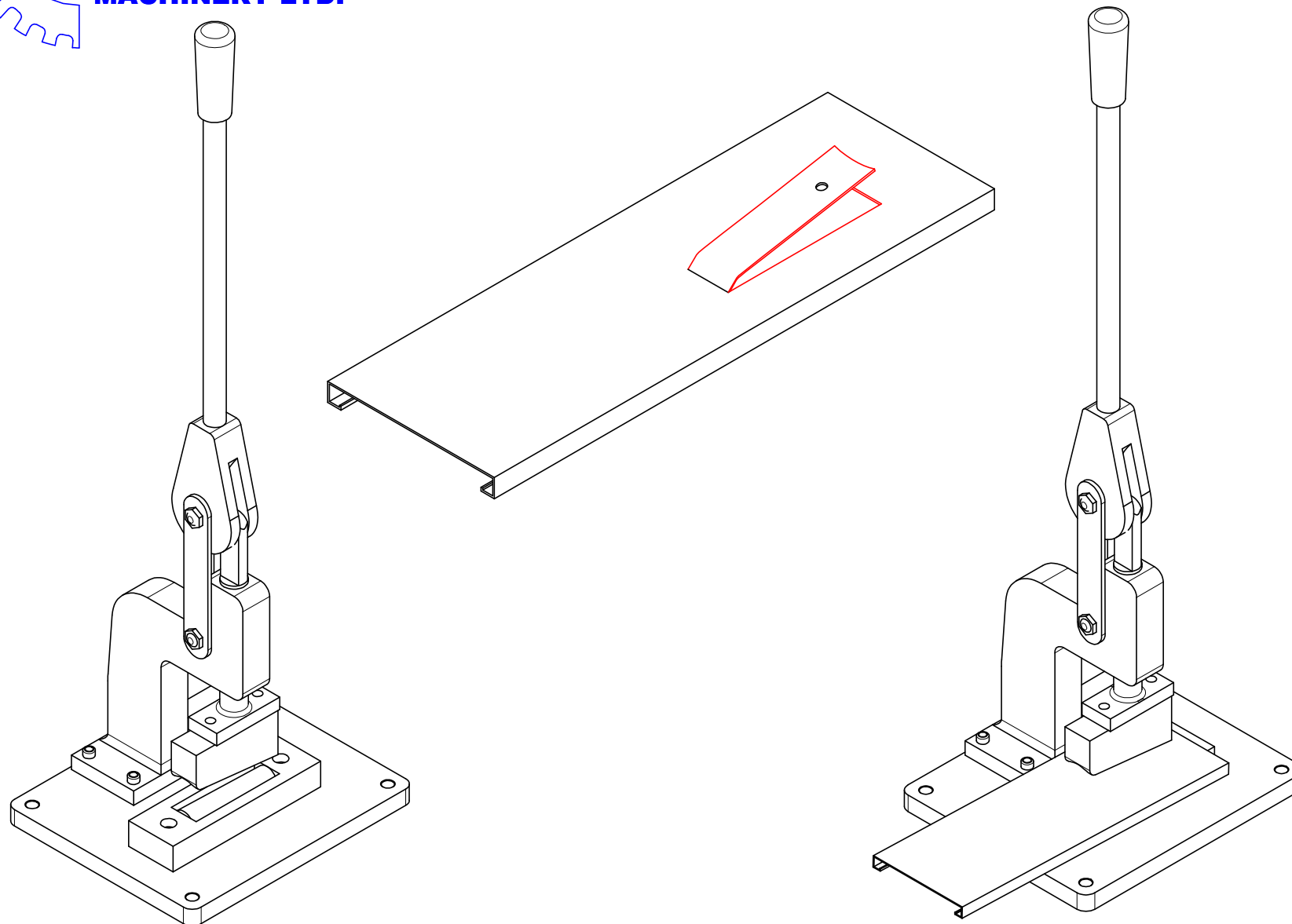


# מכש ידני , משקוף עיוור



**Address: 142 Nahalat-Binyamin St. Tel-Aviv 66066, P.O.B 5144 Tel-Aviv 61051, Israel, Tel. 972-3-6821570, 6825362, Fax. 972-3-6830213**

**Internet: [www.shoham-mach.co.il](http://www.shoham-mach.co.il) , E-mail: [info@shoham-mach.co.il](mailto:info@shoham-mach.co.il)**

**THIS DRAWING IS THE PROPERTY OF SHOHAM MACHINERY LTD AND MUST NOT BE COPIED OR REPRODUCED WITHOUT THEIR PERMISSION ©2007**