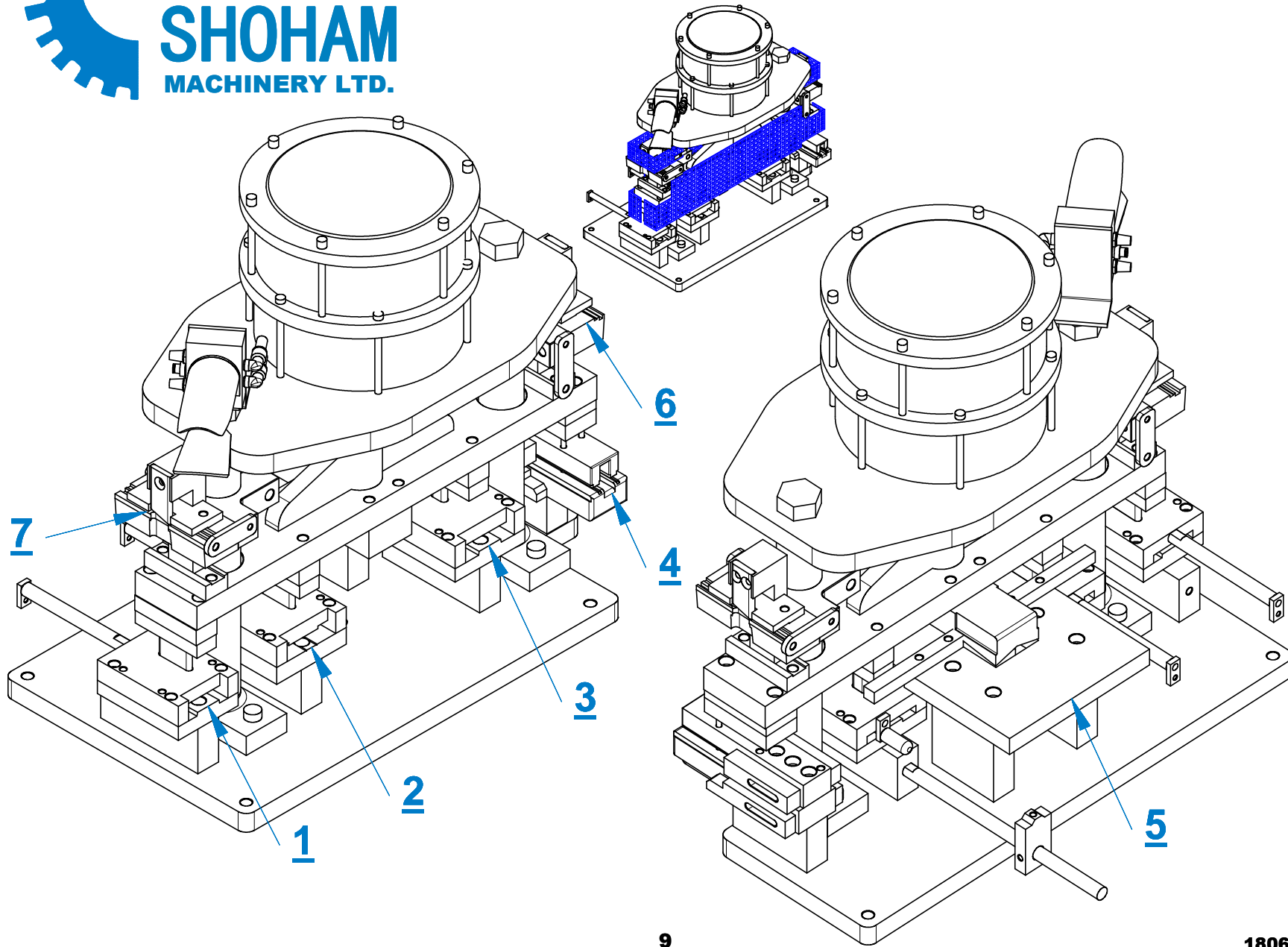




SHOHAM
MACHINERY LTD.

Pneumatic press Model PINNACLE 600 & KEYSTONE 500



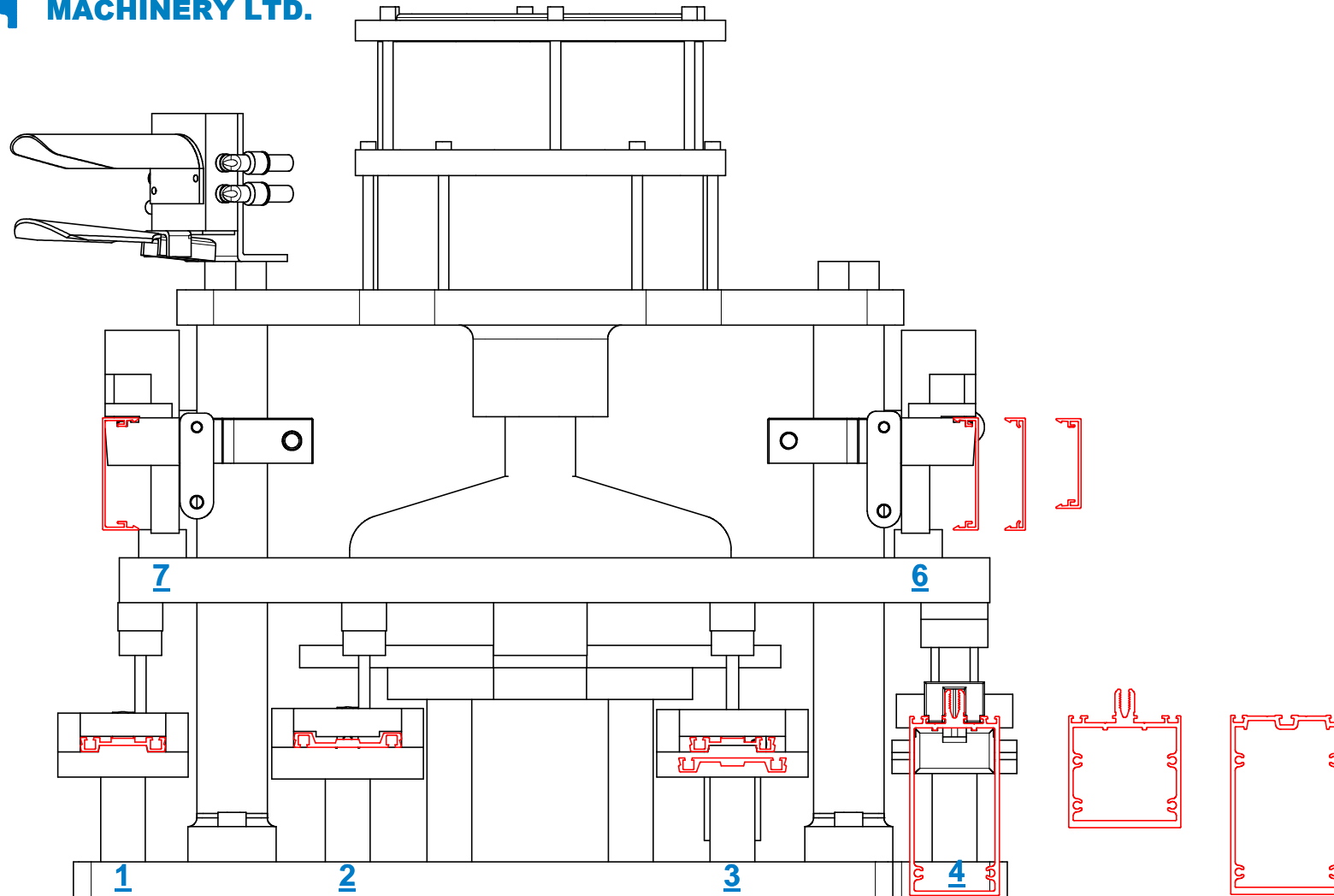
9

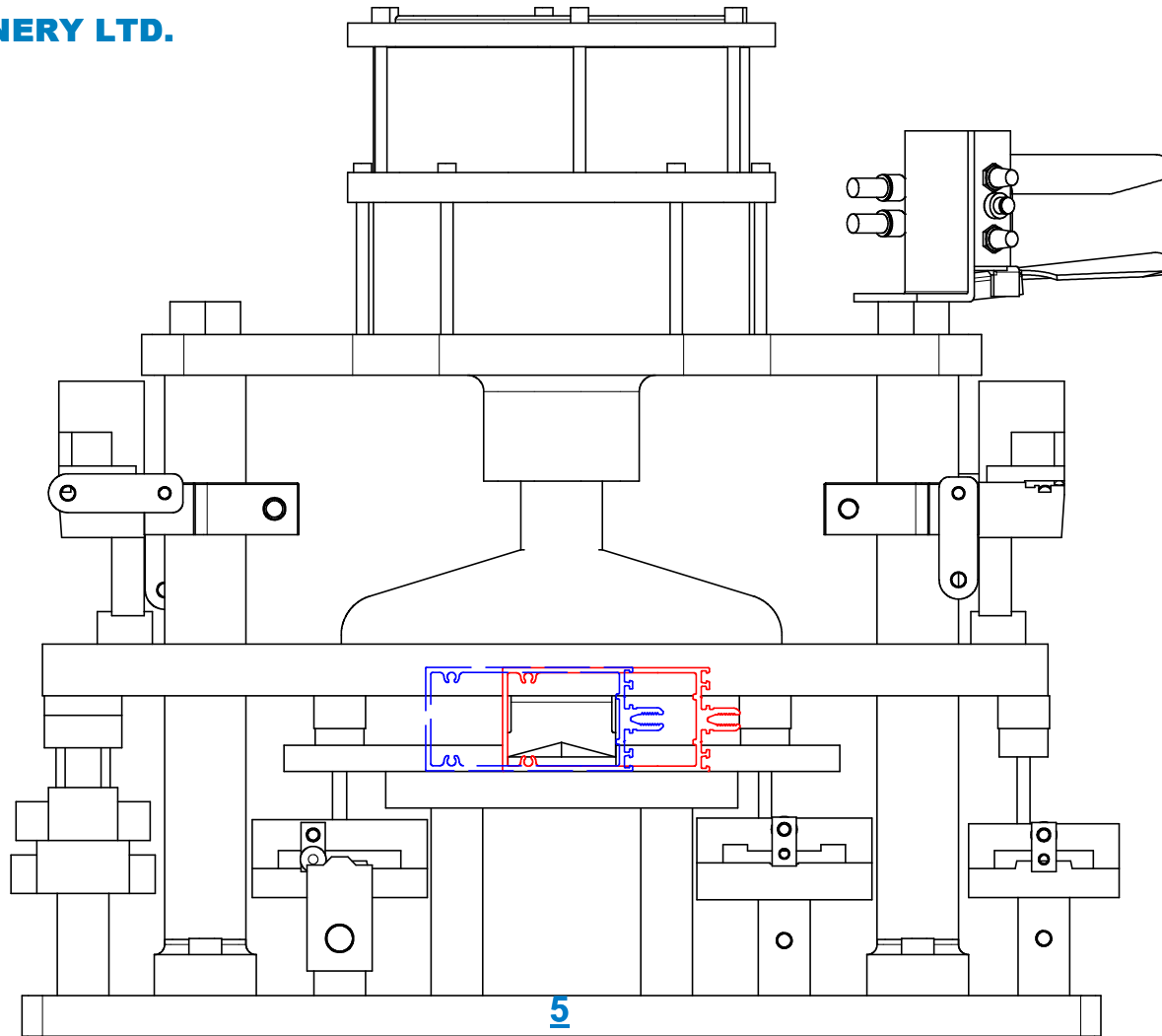
180618

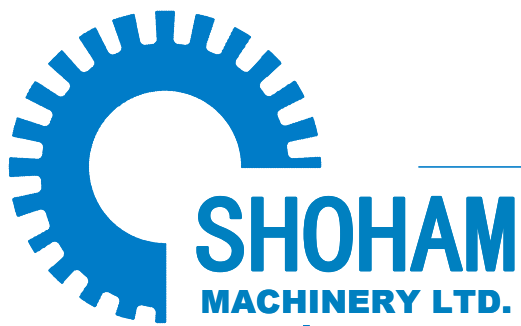
THIS DRAWING IS THE PROPERTY OF SHOHAM MACHINERY LTD AND ITS SUBSIDIARIES AND MUST NOT BE COPIED OR REPRODUCED WITHOUT THEIR PERMISSION

10 HaKishor St. Holon Industrial-Zone 5886703, Israel Tel. +972-3-6797600 Fax. +972-3-6830213

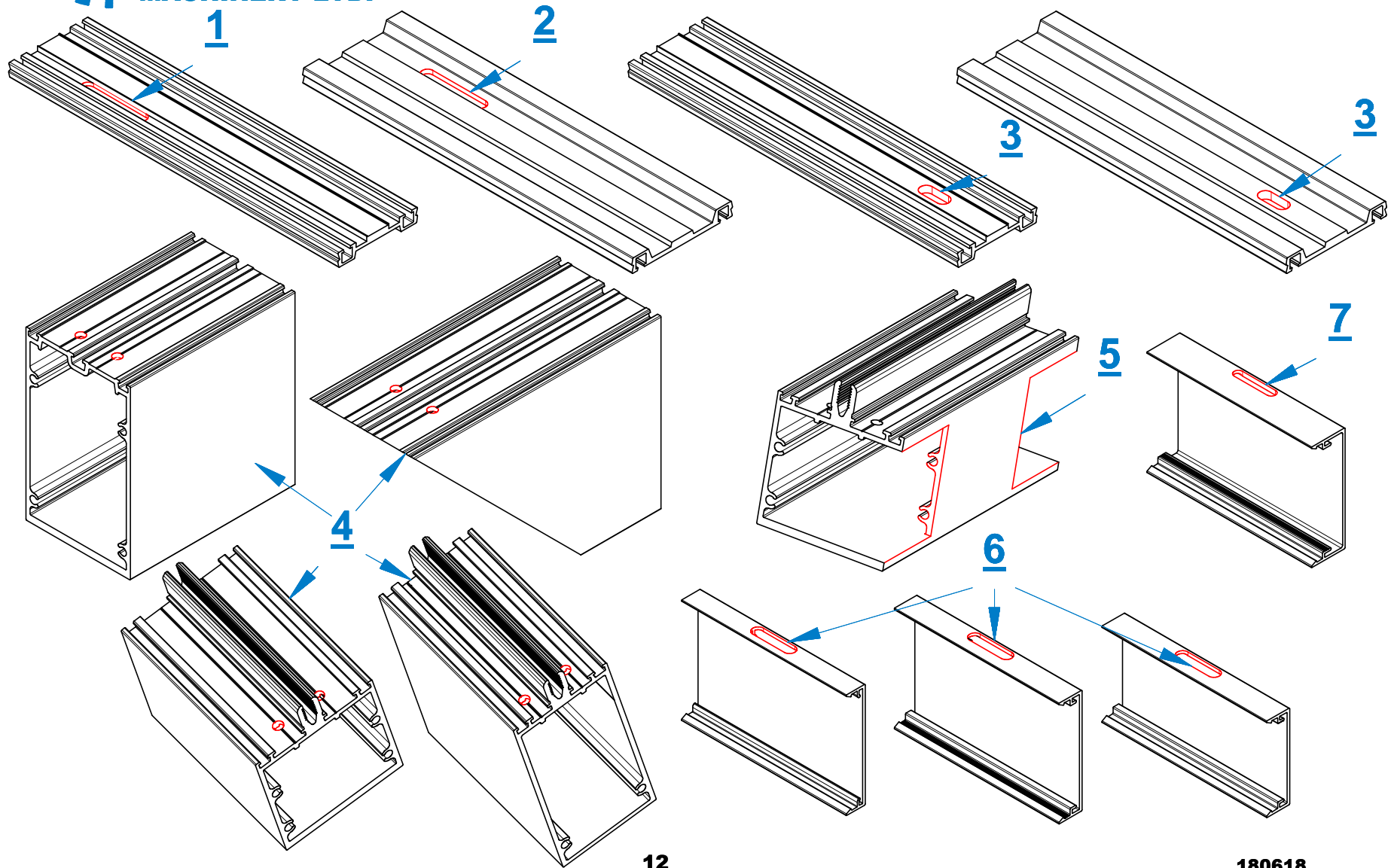
www.shoham-machinery.com info@shoham-mach.co.il







Model PINNACLE 600 & KEYSTONE 500



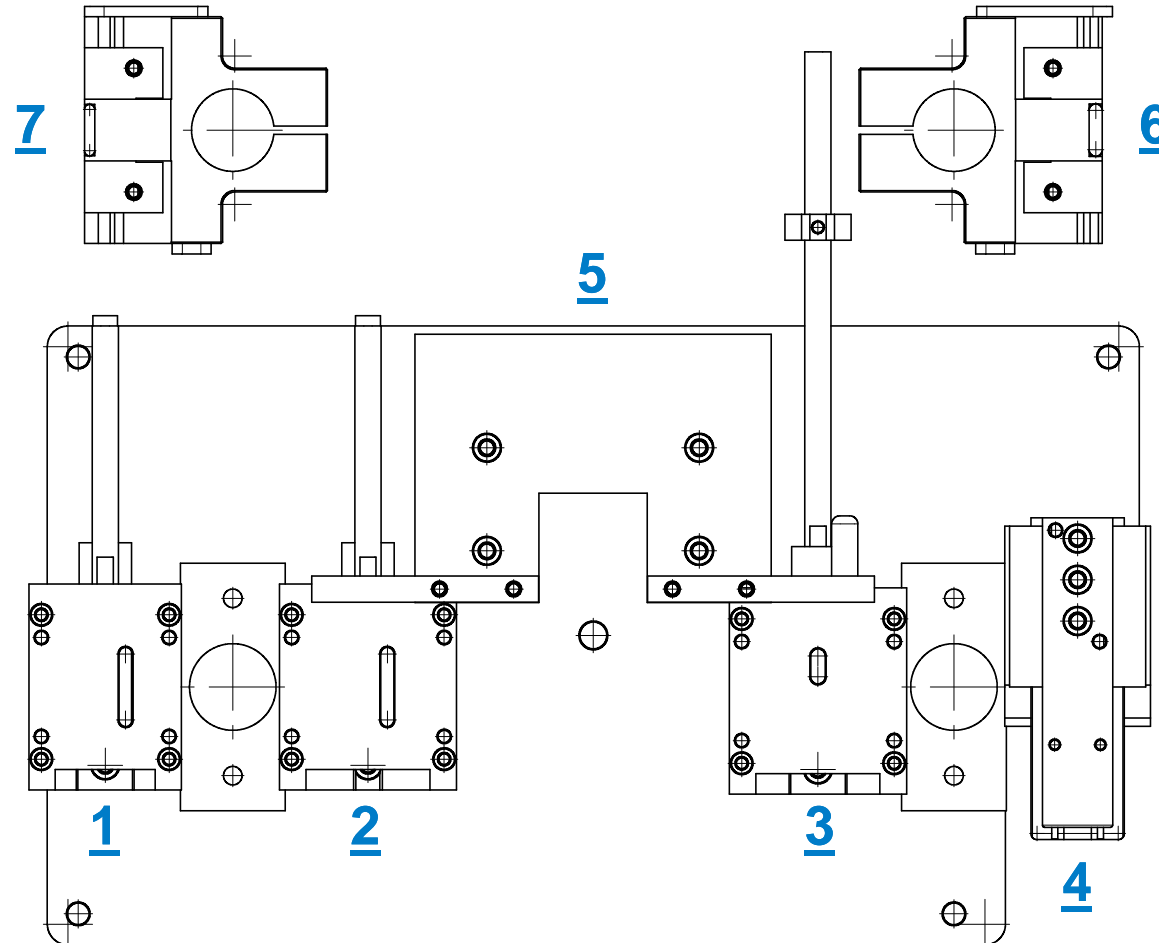
12

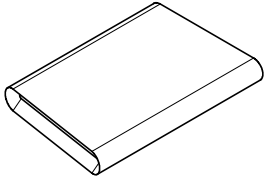
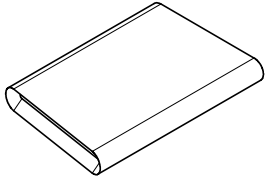
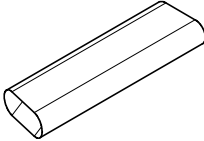
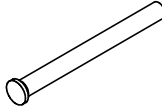
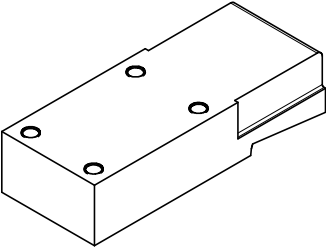
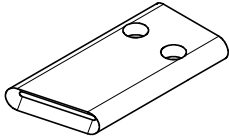
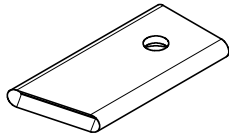
180618

THIS DRAWING IS THE PROPERTY OF SHOHAM MACHINERY LTD AND ITS SUBSIDIARIES AND MUST NOT BE COPIED OR REPRODUCED WITHOUT THEIR PERMISSION

10 HaKishor St. Holon Industrial-Zone 5886703, Israel Tel. +972-3-6797600 Fax. +972-3-6830213

www.shoham-machinery.com info@shoham-mach.co.il



<p>Cutter: PIN600-K01-6</p>  <p>1</p> <p>STATION No.1</p>	<p>Cutter: PIN600-K02-6</p>  <p>2</p> <p>STATION No.2</p>	<p>Cutter: PIN600-K03-6</p>  <p>3</p> <p>STATION No.3</p>	<p>Cutter: PIN600-K04-8 (Ø4.5mm)</p> <p>1 unit - 47.0mm 1 unit - 52.0mm</p>  <p>4</p> <p>STATION No.4</p>
<p>Cutter: PIN600-K05-4</p>  <p>5</p> <p>STATION No.5</p>	<p>Cutter: PIN600-K06-5</p>  <p>6</p> <p>STATION No.6</p>	<p>Cutter: PIN600-K07-5</p>  <p>7</p> <p>STATION No.7</p>	