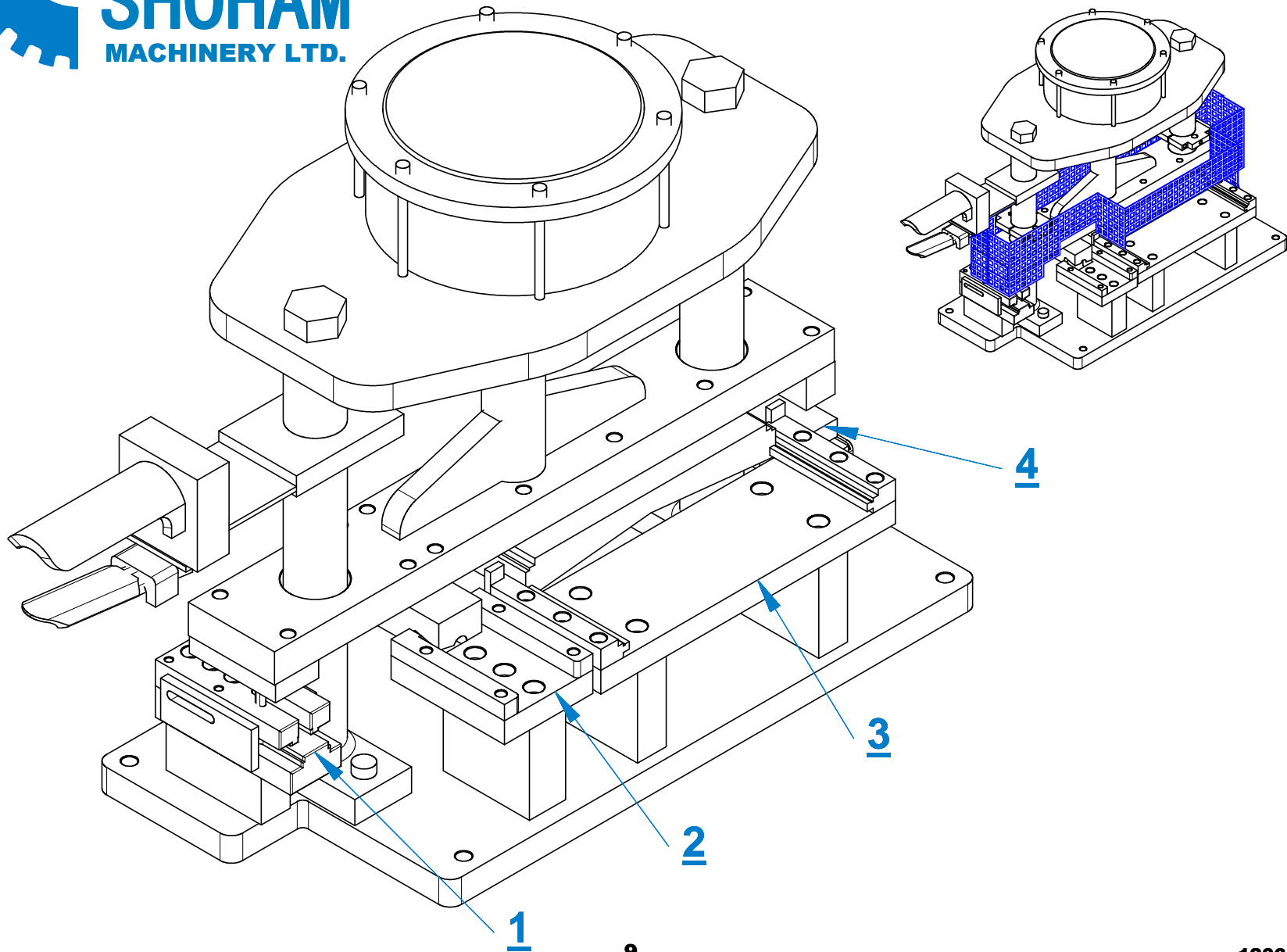


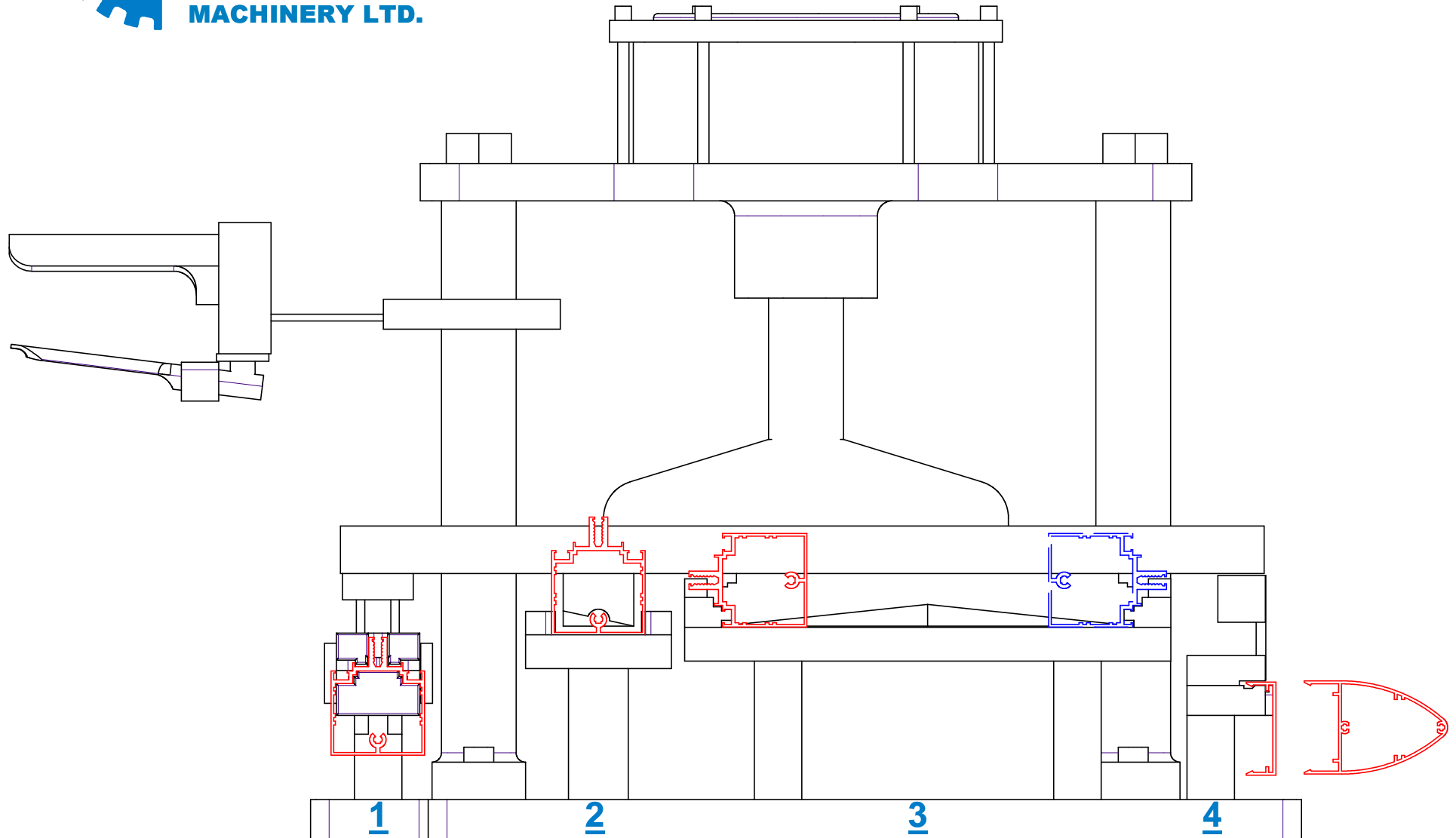


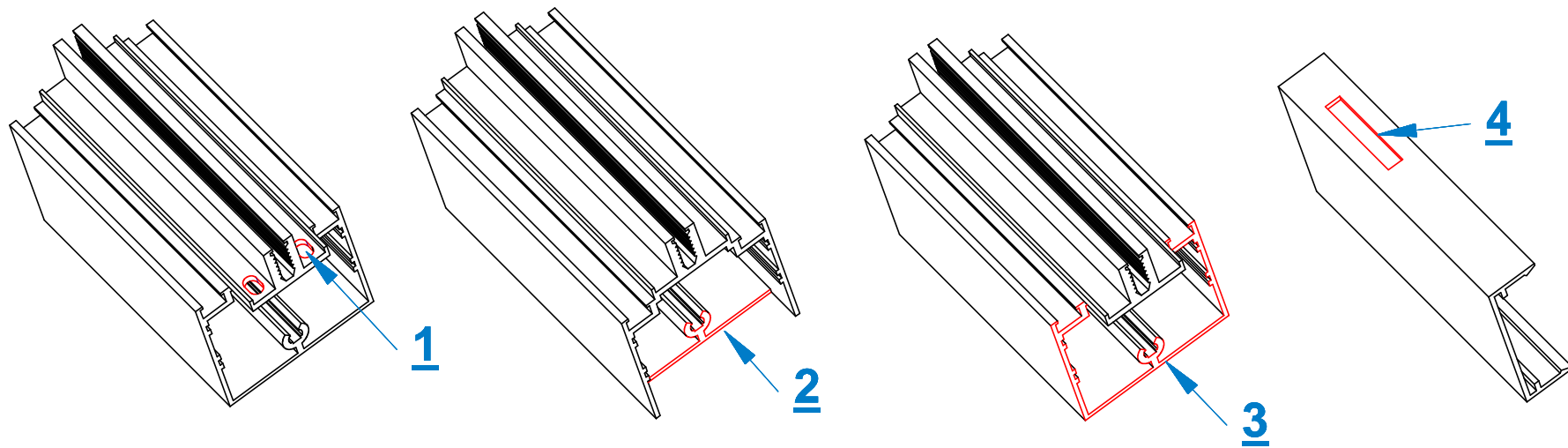
Pneumatic press Model COM6E-T13 New version

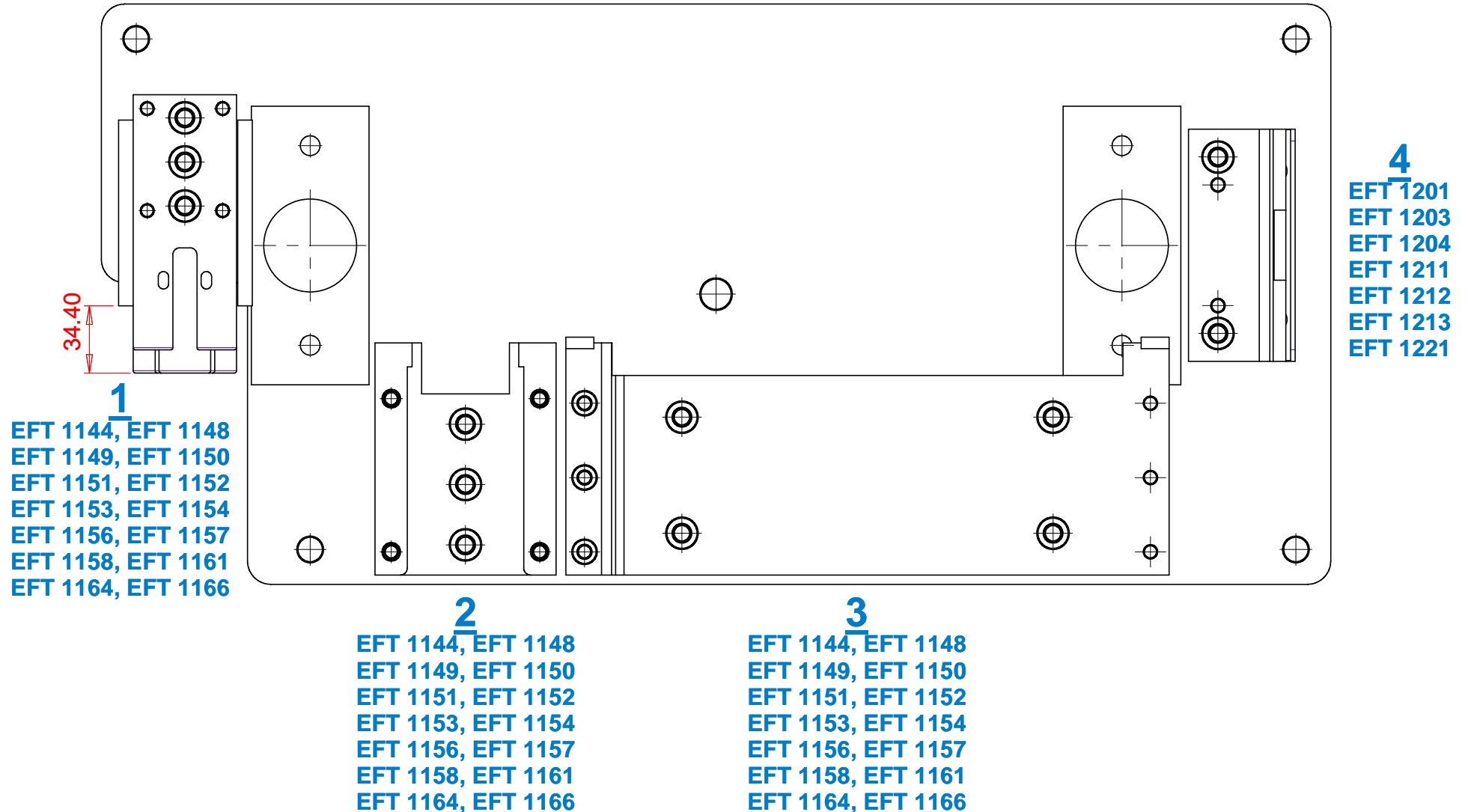
SHOHAM
MACHINERY LTD.

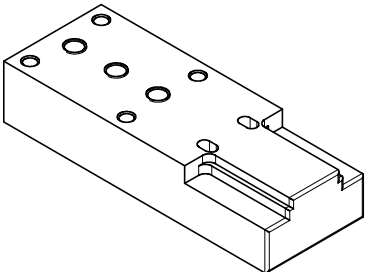
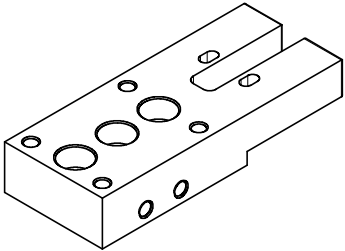
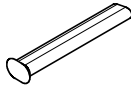
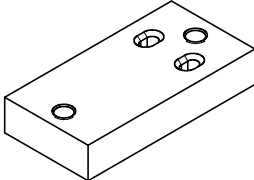
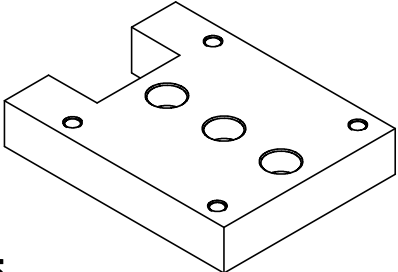
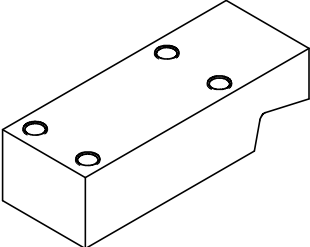
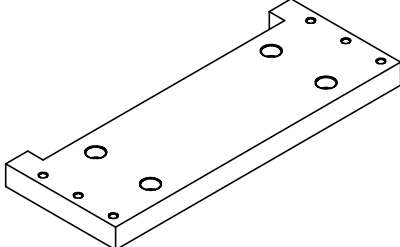
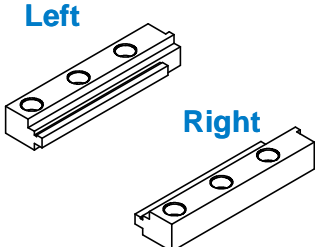
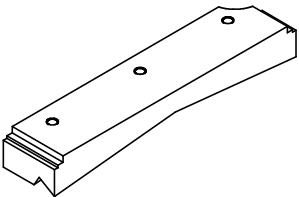
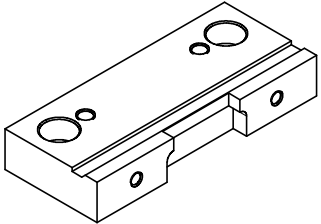
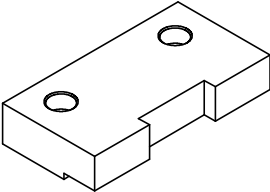
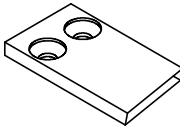


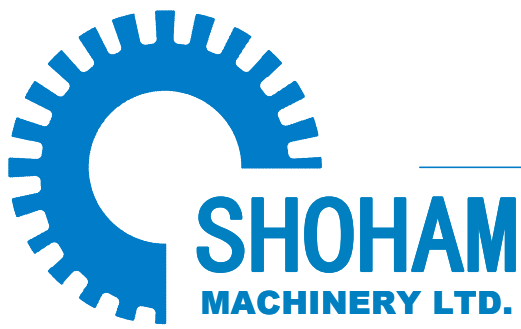
120614





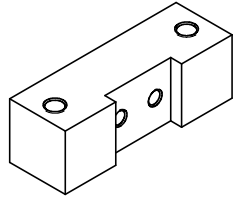


<p>Matrix: COM6T13-M01-1</p>  <p>1</p> <p style="writing-mode: vertical-rl; transform: rotate(180deg);">STATION No.1</p>	<p>Profile Guide: COM6T13-G01-2</p>  <p>2</p> <p style="writing-mode: vertical-rl; transform: rotate(180deg);">STATION No.1</p>	<p>Cutter: COM6T13-K01-5 1 unit/H=48.0mm 1 unit/H=52.0mm</p>  <p>3</p> <p style="writing-mode: vertical-rl; transform: rotate(180deg);">STATION No.1</p>	<p>Cutter Guide: COM6T13-H01-4</p>  <p>4</p> <p style="writing-mode: vertical-rl; transform: rotate(180deg);">STATION No.1</p>
<p>Matrix: COM6T13-M02-1N</p>  <p>5</p> <p style="writing-mode: vertical-rl; transform: rotate(180deg);">STATION No.2</p>	<p>Cutter: COM6T13-K02-4N</p>  <p>6</p> <p style="writing-mode: vertical-rl; transform: rotate(180deg);">STATION No.2</p>	<p>Matrix: COM6T13-M03-1N</p>  <p>7</p> <p style="writing-mode: vertical-rl; transform: rotate(180deg);">STATION No.3</p>	<p>Profile Guide: COM6T13-S03-3</p>  <p>8</p> <p style="writing-mode: vertical-rl; transform: rotate(180deg);">STATION No.3</p>
<p>Cutter: COM6T13-K03-4N</p>  <p>9</p> <p style="writing-mode: vertical-rl; transform: rotate(180deg);">STATION No.3</p>	<p>Matrix: COM6T13-M04-1</p>  <p>10</p> <p style="writing-mode: vertical-rl; transform: rotate(180deg);">STATION No.4</p>	<p>Profile Guide: COM6T13-G04-2</p>  <p>11</p> <p style="writing-mode: vertical-rl; transform: rotate(180deg);">STATION No.4</p>	<p>Cutter: COM6T13-K04-5</p>  <p>12</p> <p style="writing-mode: vertical-rl; transform: rotate(180deg);">STATION No.4</p>



Model COM6E-T13 New version

Cutter Guide: COM6T13-H04-4

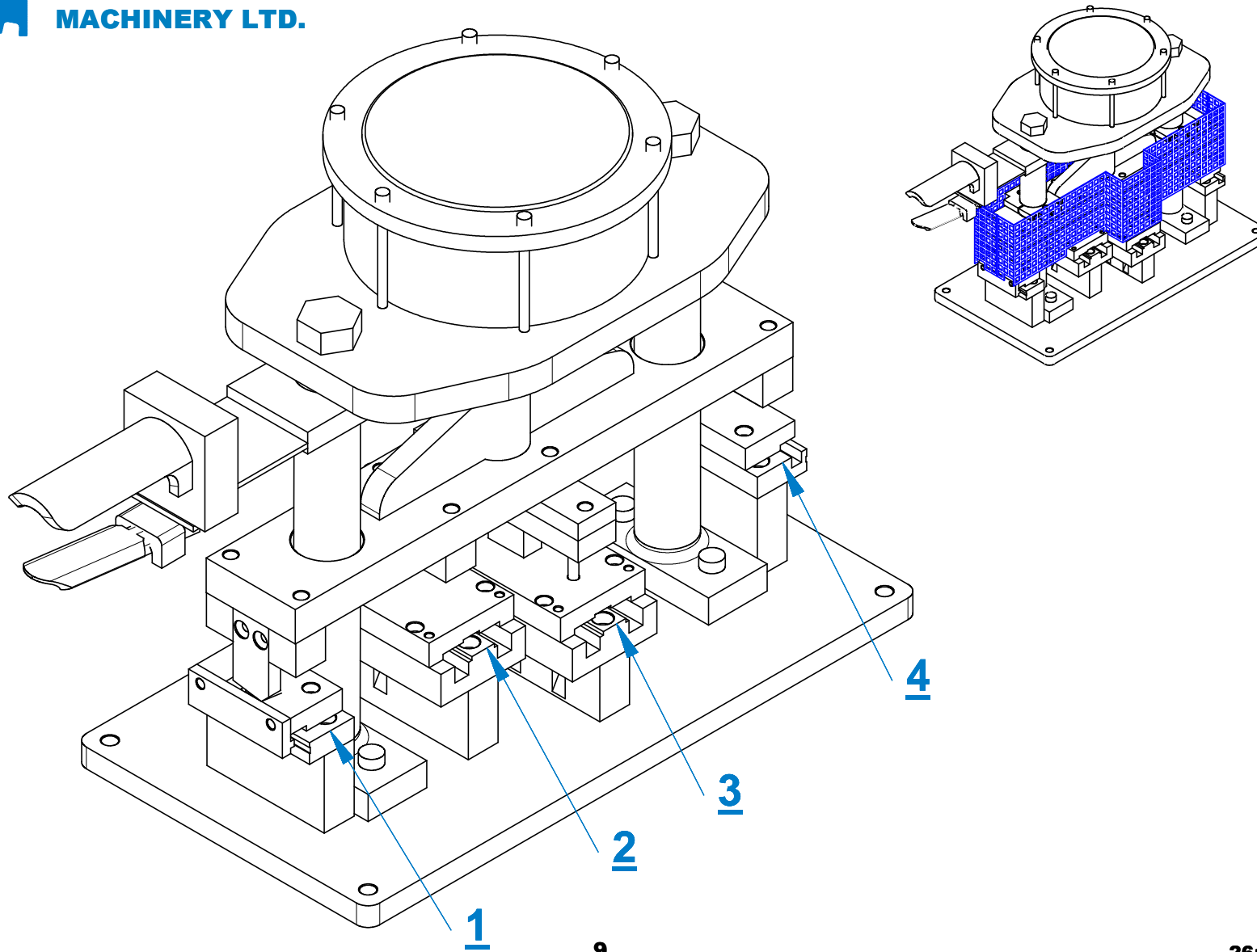


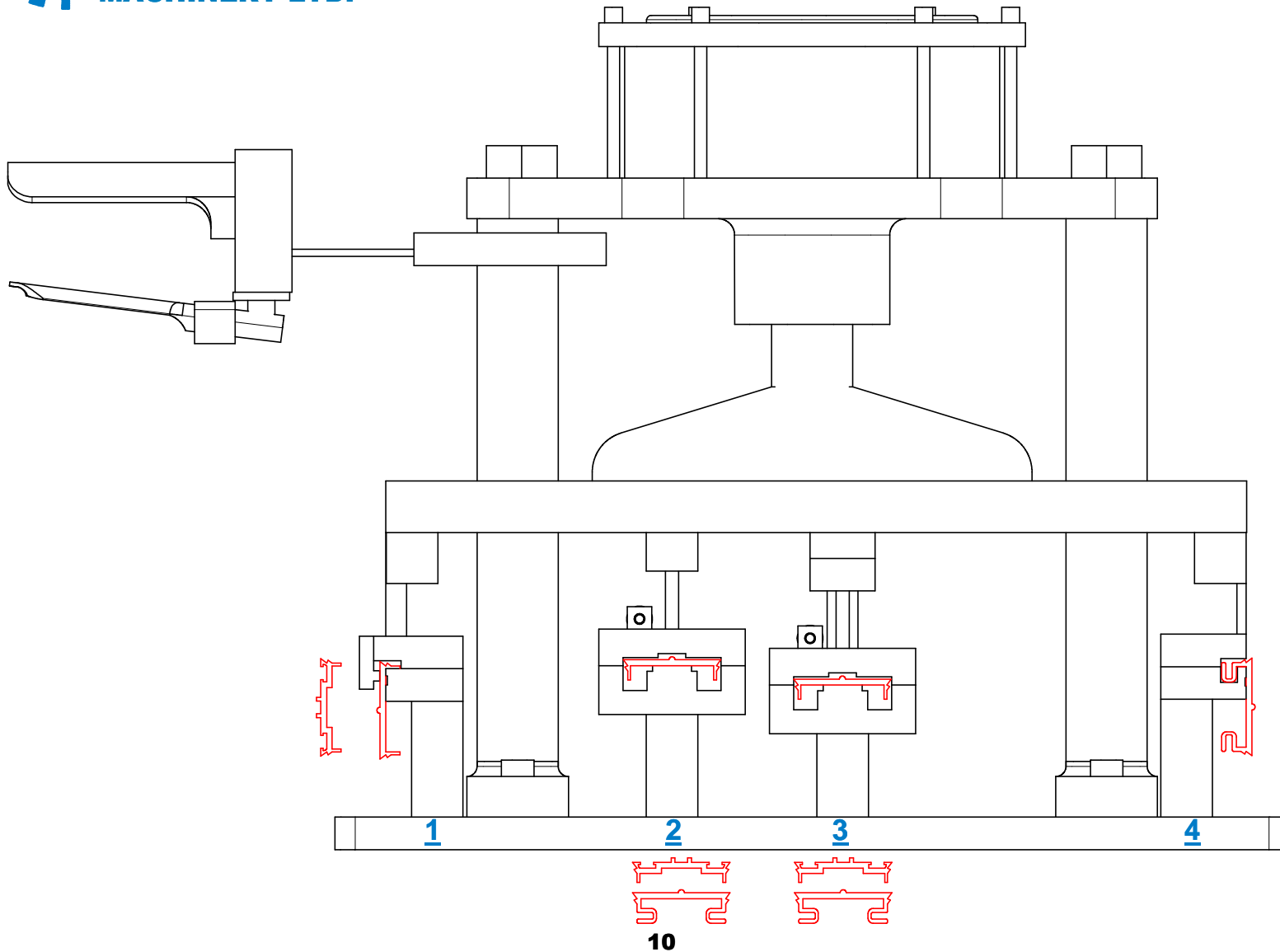
STATION No.4

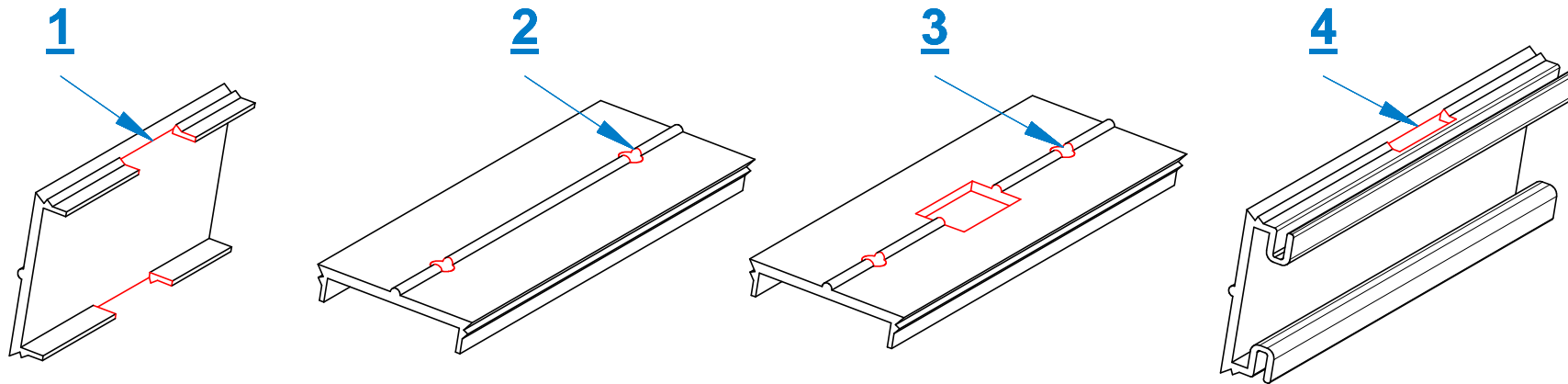
13

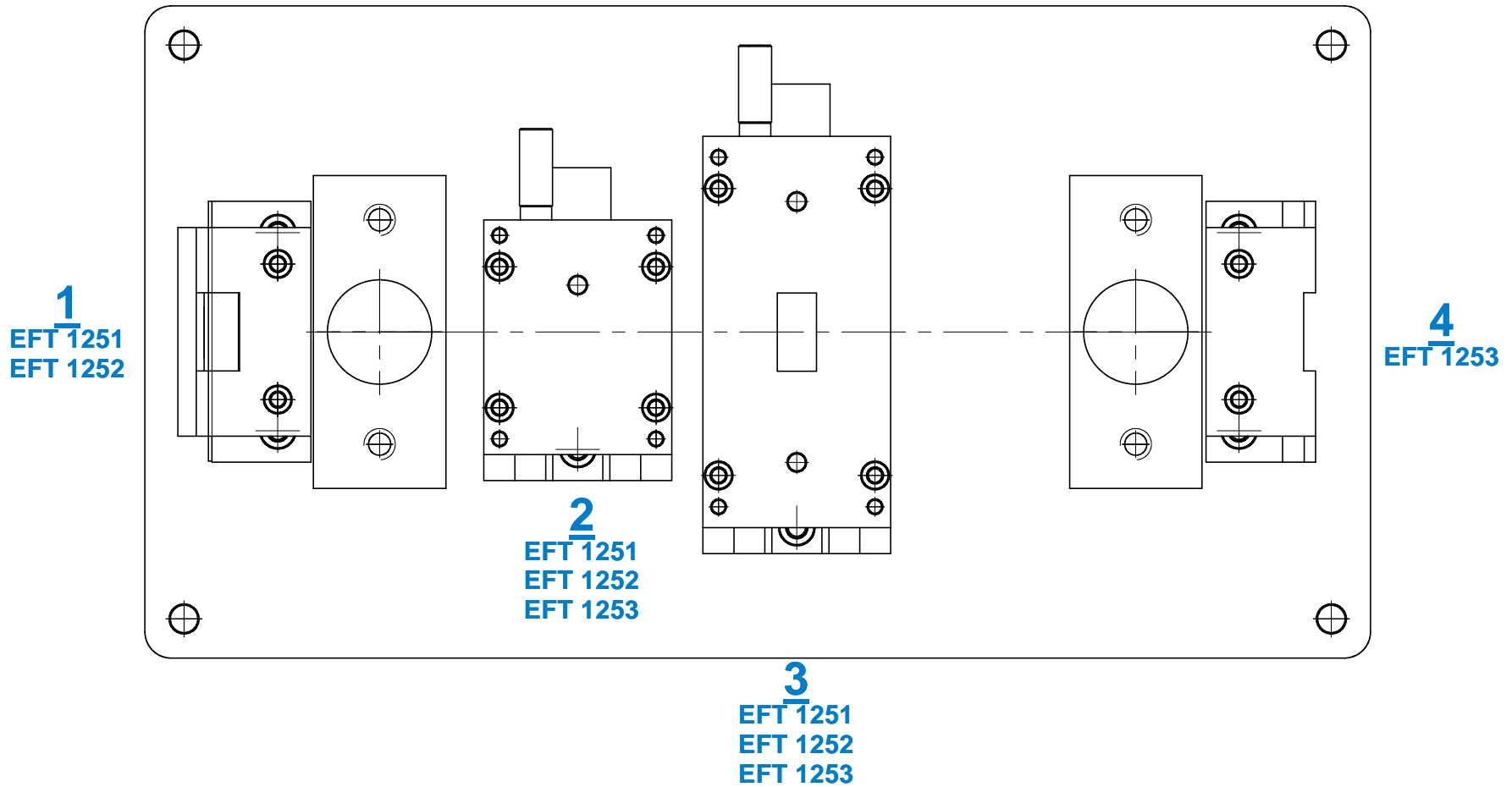
 <p>STATION No.4</p> <p>13</p>			

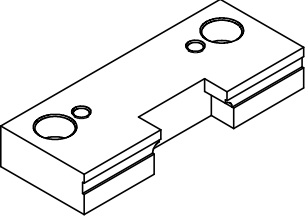
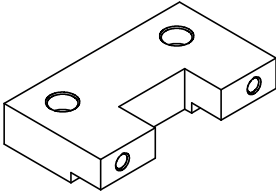
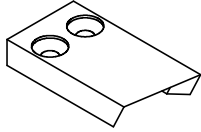
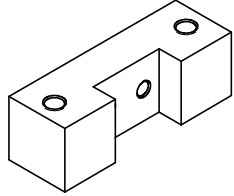
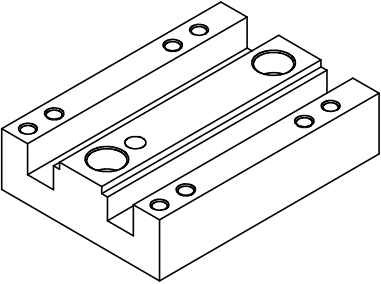
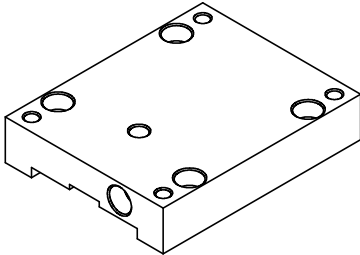
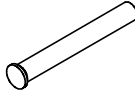
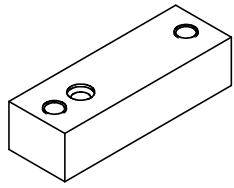
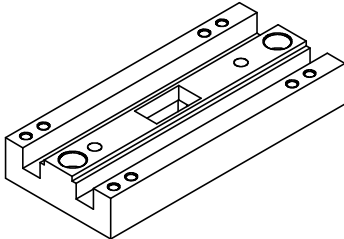
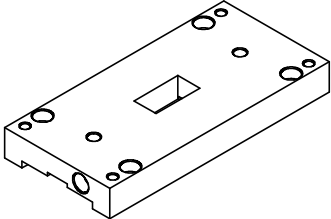
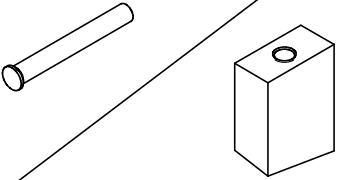
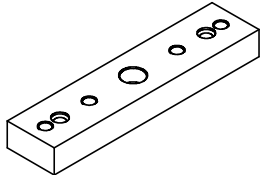
Pneumatic press Model COM6E-T14

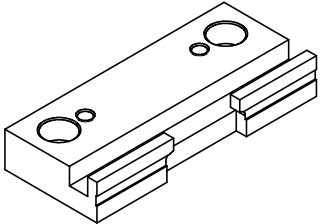
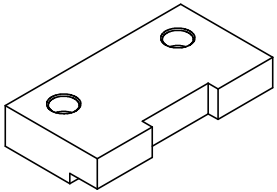
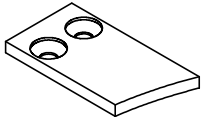
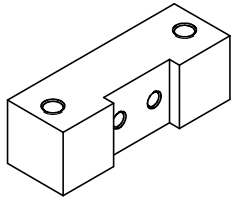








<p>Matrix: COM6T14-M01-1</p>  <p>1</p> <p style="writing-mode: vertical-rl; transform: rotate(180deg);">STATION No.1</p>	<p>Profile Guide: COM614-G01-2</p>  <p>2</p> <p style="writing-mode: vertical-rl; transform: rotate(180deg);">STATION No.1</p>	<p>Cutter: COM6T14-K01-5</p>  <p>3</p> <p style="writing-mode: vertical-rl; transform: rotate(180deg);">STATION No.1</p>	<p>Cutter Guide: COM6T14-H01-4</p>  <p>4</p> <p style="writing-mode: vertical-rl; transform: rotate(180deg);">STATION No.1</p>
<p>Matrix: COM6T14-M02-1</p>  <p>5</p> <p style="writing-mode: vertical-rl; transform: rotate(180deg);">STATION No.2</p>	<p>Profile Guide: COM6T14-G02-2</p>  <p>6</p> <p style="writing-mode: vertical-rl; transform: rotate(180deg);">STATION No.2</p>	<p>Cutter: COM6T14-K02-5 (Ø6.5) 1 unit/H=54.4mm</p>  <p>7</p> <p style="writing-mode: vertical-rl; transform: rotate(180deg);">STATION No.2</p>	<p>Cutter Guide: COM6T14-H02-4</p>  <p>8</p> <p style="writing-mode: vertical-rl; transform: rotate(180deg);">STATION No.2</p>
<p>Matrix: COM6T14-M03-1</p>  <p>9</p> <p style="writing-mode: vertical-rl; transform: rotate(180deg);">STATION No.3</p>	<p>Profile Guide: COM6T14-G03-2</p>  <p>10</p> <p style="writing-mode: vertical-rl; transform: rotate(180deg);">STATION No.3</p>	<p>Cutter: COM6T14-K03-7 (Ø6.5) 1 unit/H=47.0mm 1 unit/H=55.0mm</p>  <p>11</p> <p style="writing-mode: vertical-rl; transform: rotate(180deg);">STATION No.3</p>	<p>Cutter Guide: COM6T14-H03-4</p>  <p>12</p> <p style="writing-mode: vertical-rl; transform: rotate(180deg);">STATION No.3</p>

<p>Matrix: COM6T14-M04-1</p>  <p style="writing-mode: vertical-rl; transform: rotate(180deg);">STATION No.4</p> <p><u>13</u></p>	<p>Profile Guide: COM6T14-G04-2</p>  <p style="writing-mode: vertical-rl; transform: rotate(180deg);">STATION No.4</p> <p><u>14</u></p>	<p>Cutter: COM6T14-K04-5</p>  <p style="writing-mode: vertical-rl; transform: rotate(180deg);">STATION No.4</p> <p><u>15</u></p>	<p>Cutter Guide: COM6T14-H04-4</p>  <p style="writing-mode: vertical-rl; transform: rotate(180deg);">STATION No.4</p> <p><u>16</u></p>