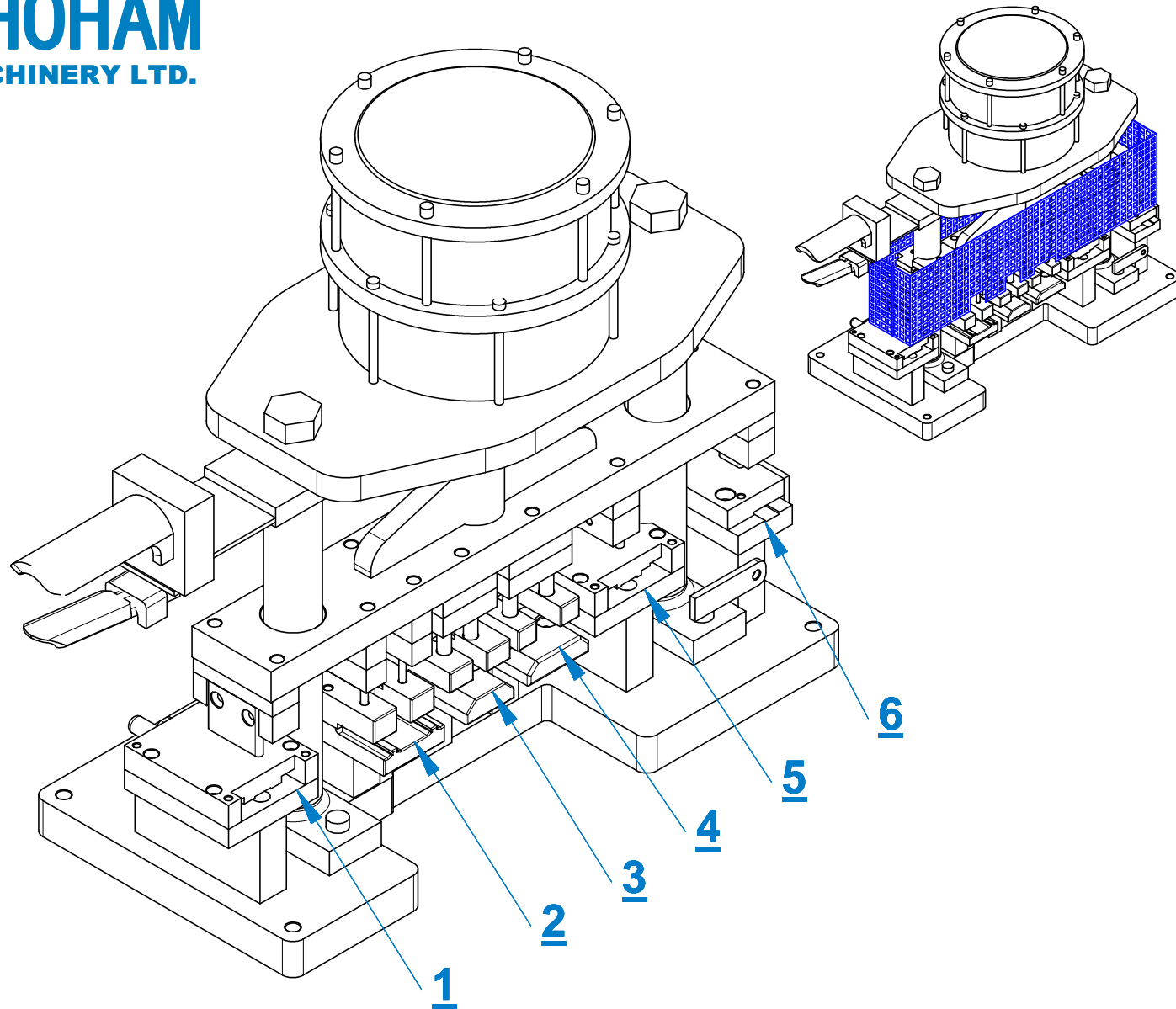


Pneumatic press Model Alumicor AL-601

for series 2200&2500&2600

New version (started from serial #108)

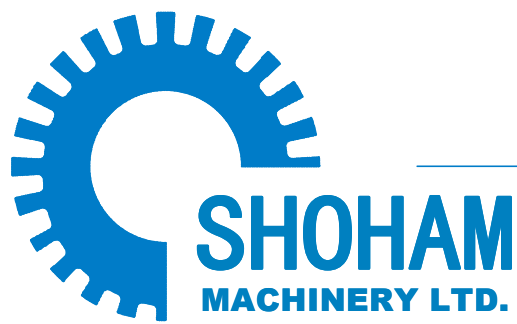


160919

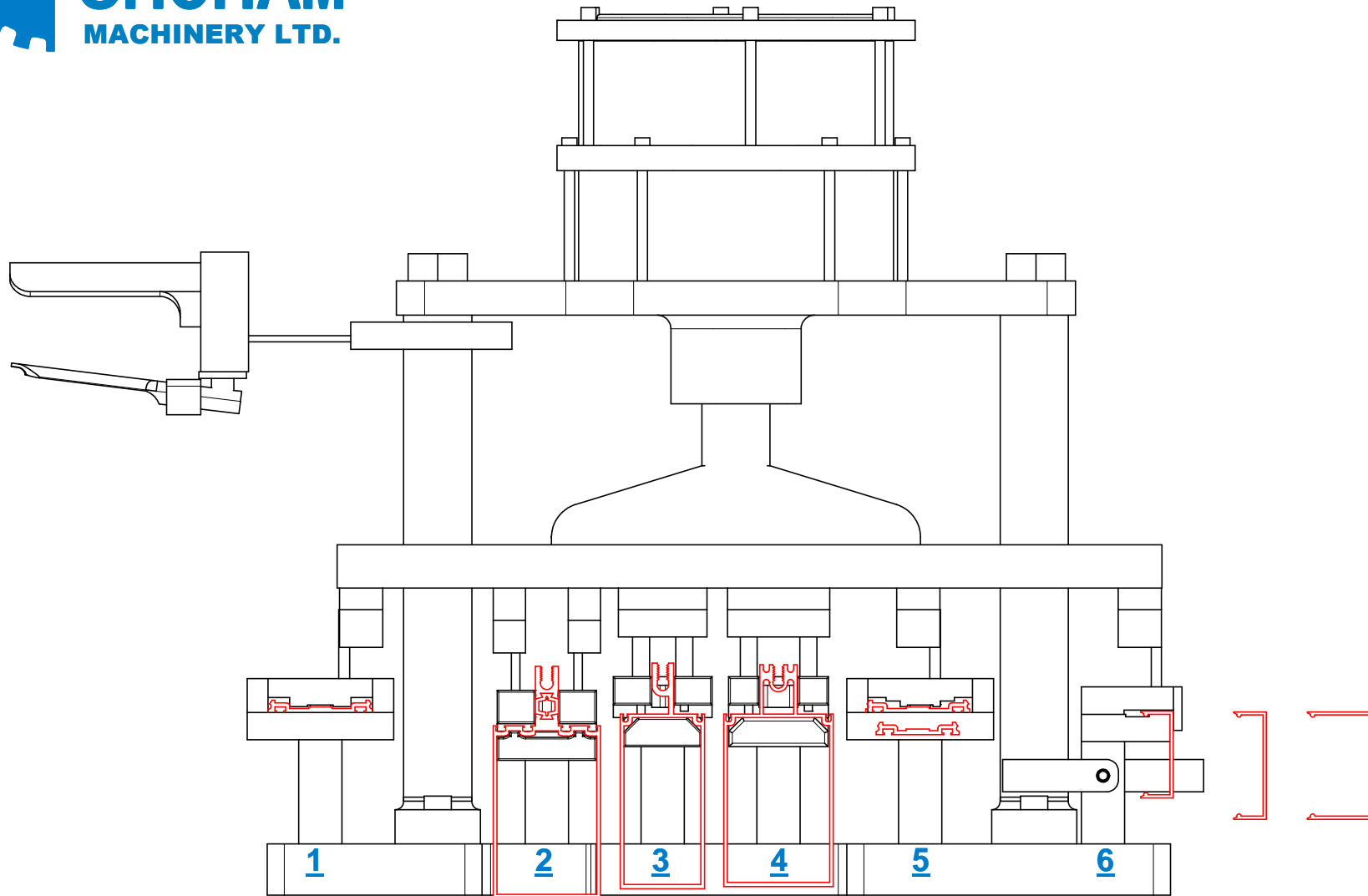
THIS DRAWING IS THE PROPERTY OF SHOHAM MACHINERY LTD AND ITS SUBSIDIARIES AND MUST NOT BE COPIED OR REPRODUCED WITHOUT THEIR PERMISSION

10 HaKishor St. Holon Industrial-Zone 5886703, Israel Tel. +972-3-6797600 Fax. +972-3-6830213

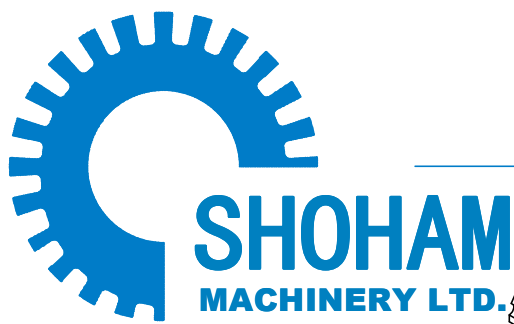
www.shoham-machinery.com info@shoham-mach.co.il



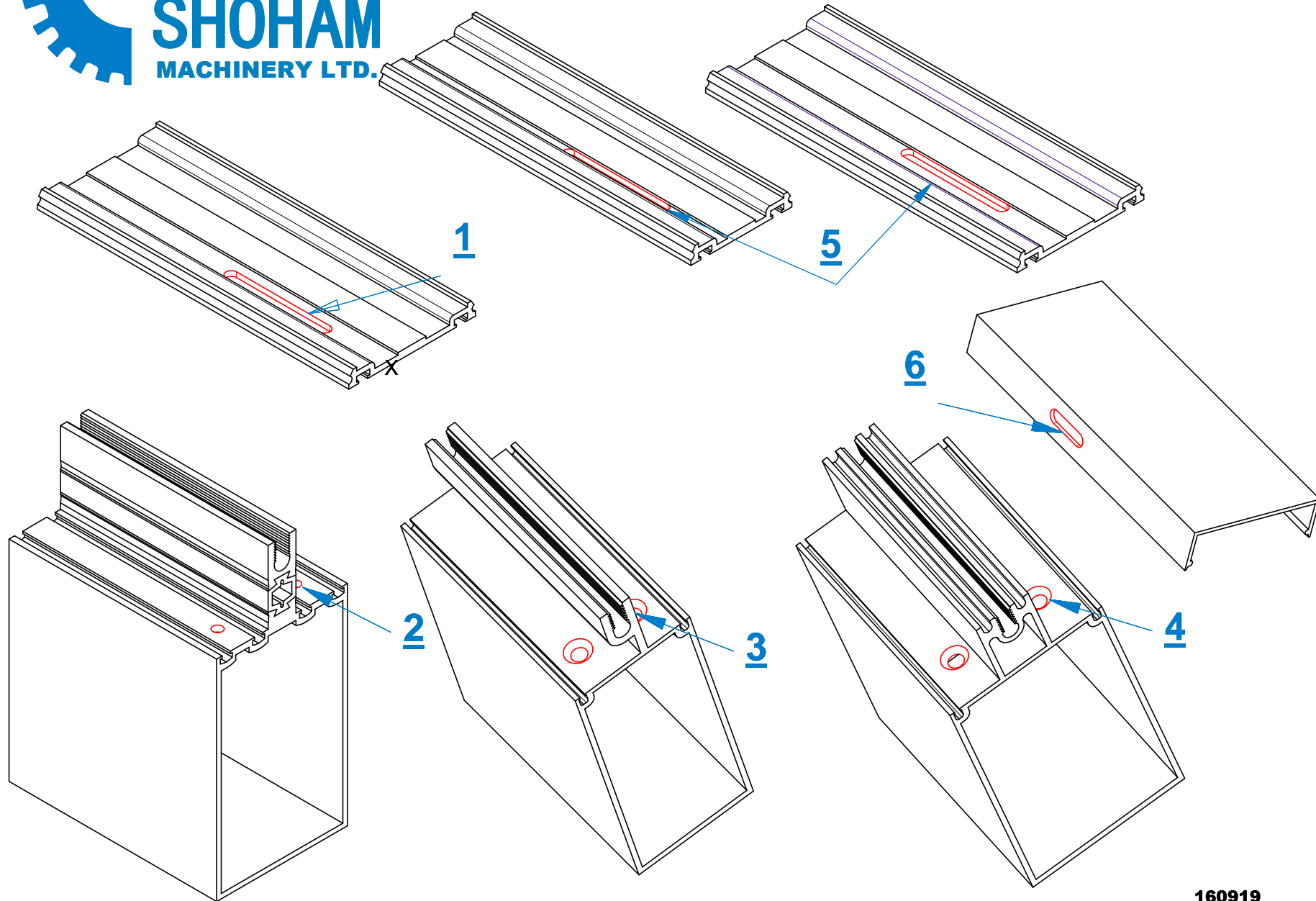
Model Alumicor AL-601
for series 2200&2500&2600
New version (started from serial #108)



160919

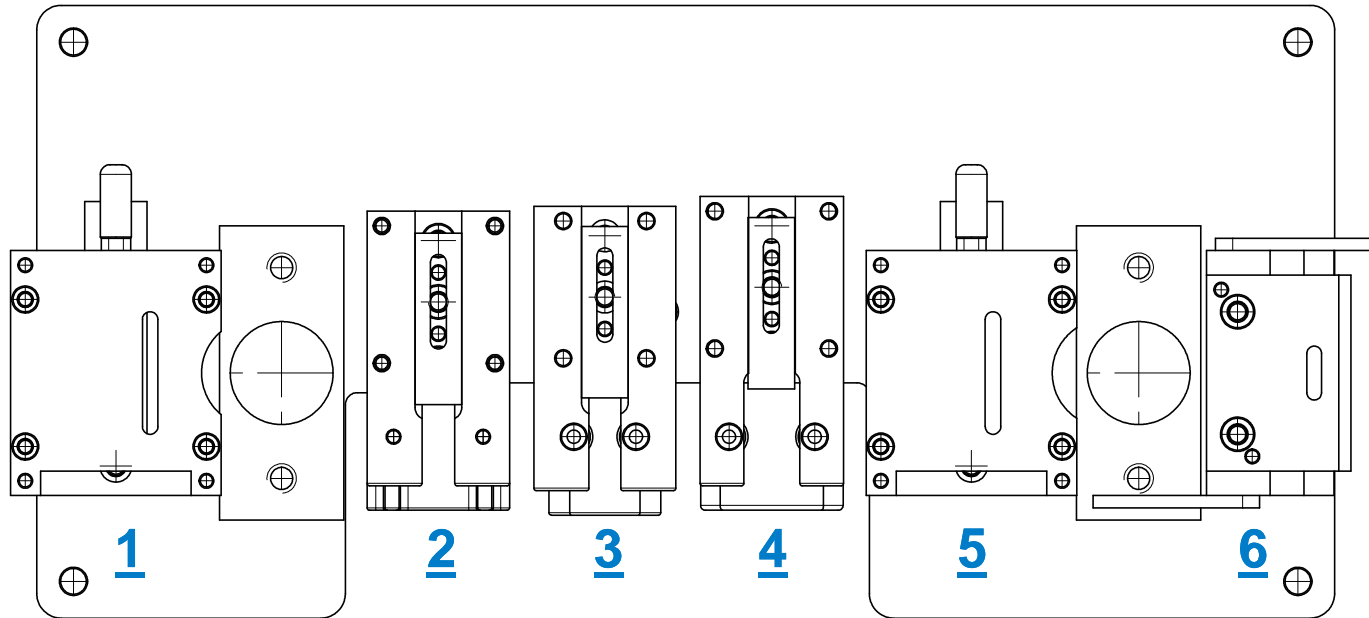


Model Alumicor AL-601
for series 2200&2500&2600
New version (started from serial #108)



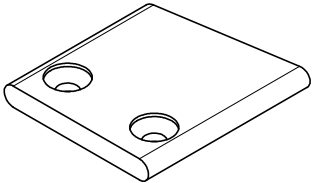
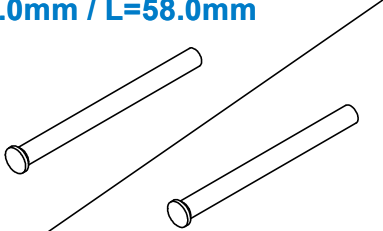
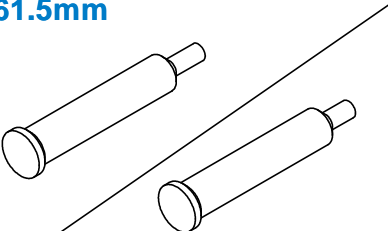
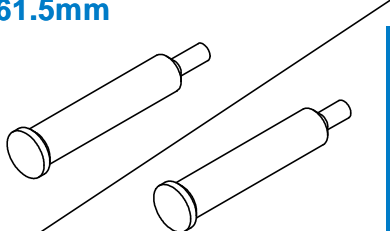
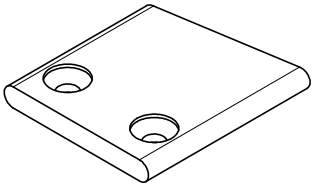
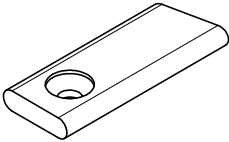
160919

Model Alumicor AL-601
for series 2200&2500&2600
New version (started from serial #108)



STATION	SERIAL	DESCRIPTION
1	AL601-1	Alumicor Pressure Plate drainage slot 6.35x50mm for 2500 series
2	AL601-2	Alumicor Mullion end-punch without csk for 2600 series
3	AL601-3	Alumicor Mullion end-punch including csk for 2200 series
4	AL601-4	Alumicor Mullion end-punch including csk for 2500 series
5	AL601-5	Alumicor Pressure Plate drainage slot 6.35x50mm for 2200&2600 series
6	AL601-6	Alumicor Cap drainage slot 6x22mm for 2200&2500 series

190313

<p>Cutter: AL601-K01-6</p>  <p>1</p> <p style="writing-mode: vertical-rl; transform: rotate(180deg);">STATION No.1</p>	<p>Cutter: AL601-K02-7 Ø5.0mm / L=58.0mm</p>  <p>Cutter: AL601-K02-8 Ø5.0mm / L=62.0mm</p> <p>2</p> <p style="writing-mode: vertical-rl; transform: rotate(180deg);">STATION No.2</p>	<p>Cutter: AL601-K03-5 L=61.5mm</p>  <p>Cutter: AL601-K03-6 L=59.5mm</p> <p>3</p> <p style="writing-mode: vertical-rl; transform: rotate(180deg);">STATION No.3</p>	<p>Cutter: AL601-K04-5 L=61.5mm</p>  <p>Cutter: AL601-K04-6 L=59.5mm</p> <p>4</p> <p style="writing-mode: vertical-rl; transform: rotate(180deg);">STATION No.4</p>
<p>Cutter: AL601-K05-6</p>  <p>5</p> <p style="writing-mode: vertical-rl; transform: rotate(180deg);">STATION No.5</p>	<p>Cutter: AL601-K06-6</p>  <p>6</p> <p style="writing-mode: vertical-rl; transform: rotate(180deg);">STATION No.6</p>		