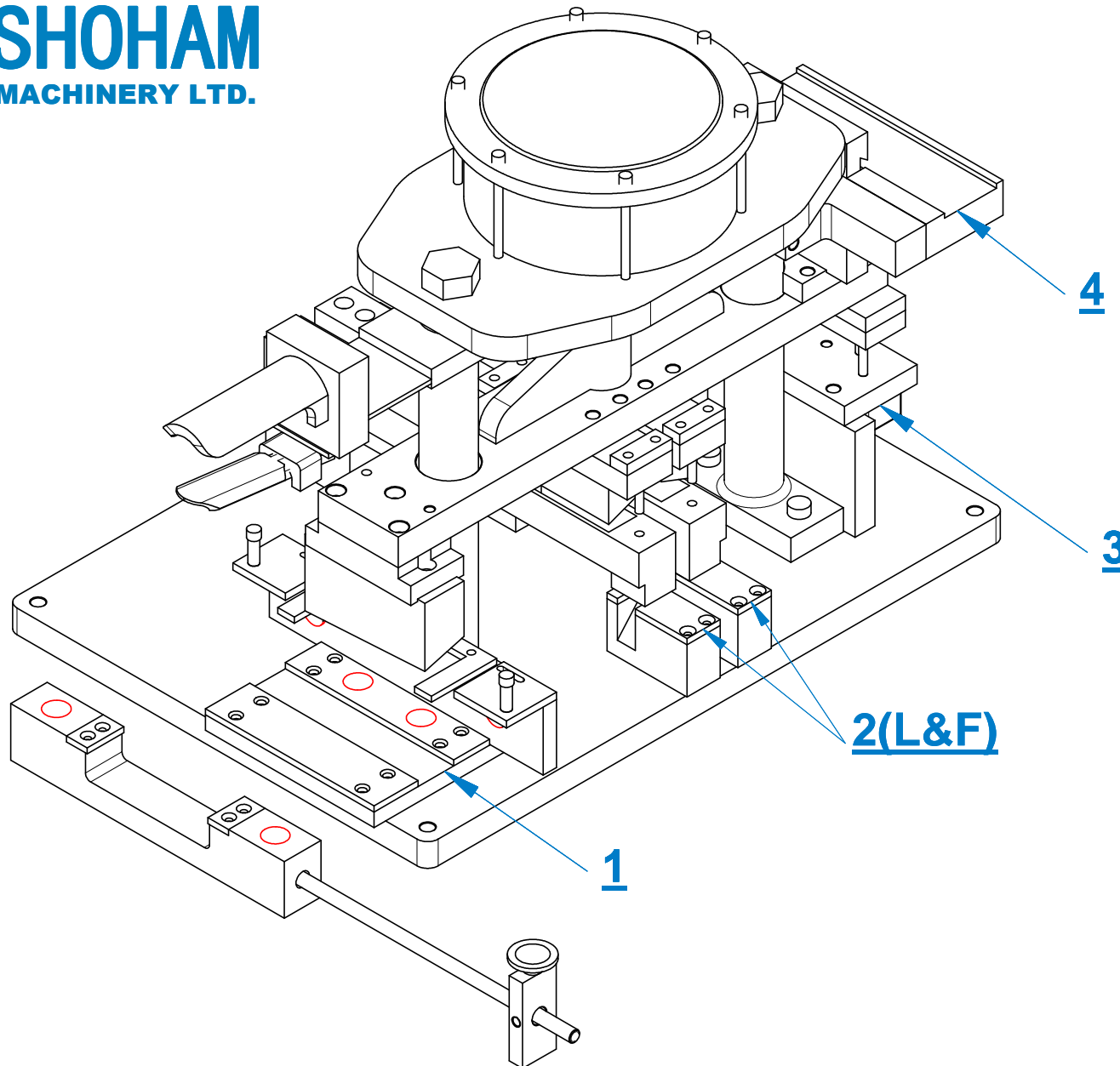
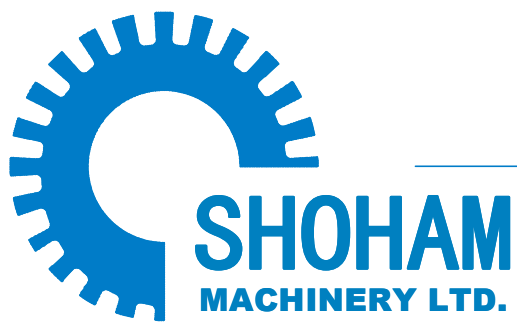


Pneumatic press Model Alumicor AL-603 for series 3400 & 1800

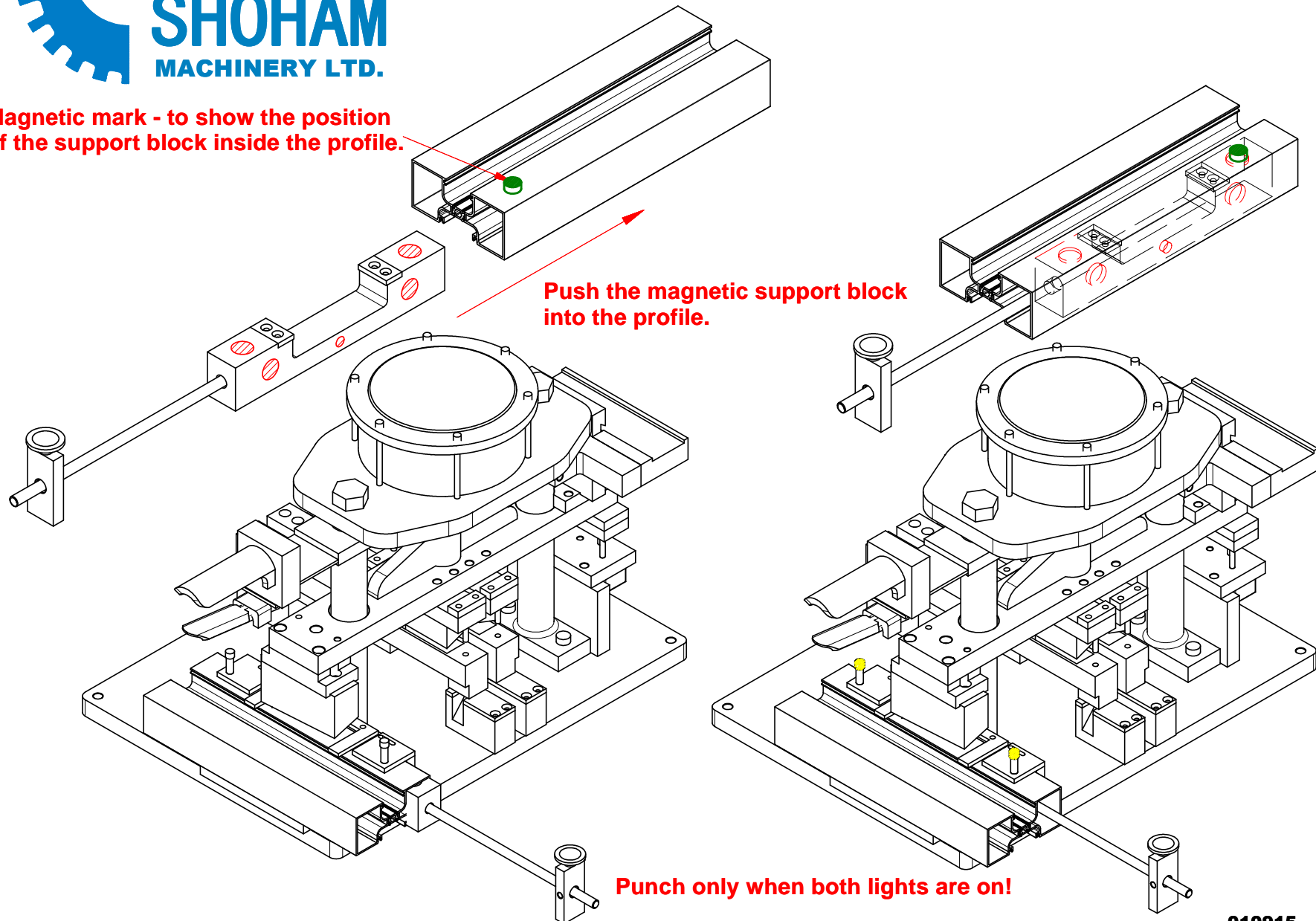


010915



Model Alumicor AL-603 for series 3400 & 1800

**Magnetic mark - to show the position
of the support block inside the profile.**



010915

