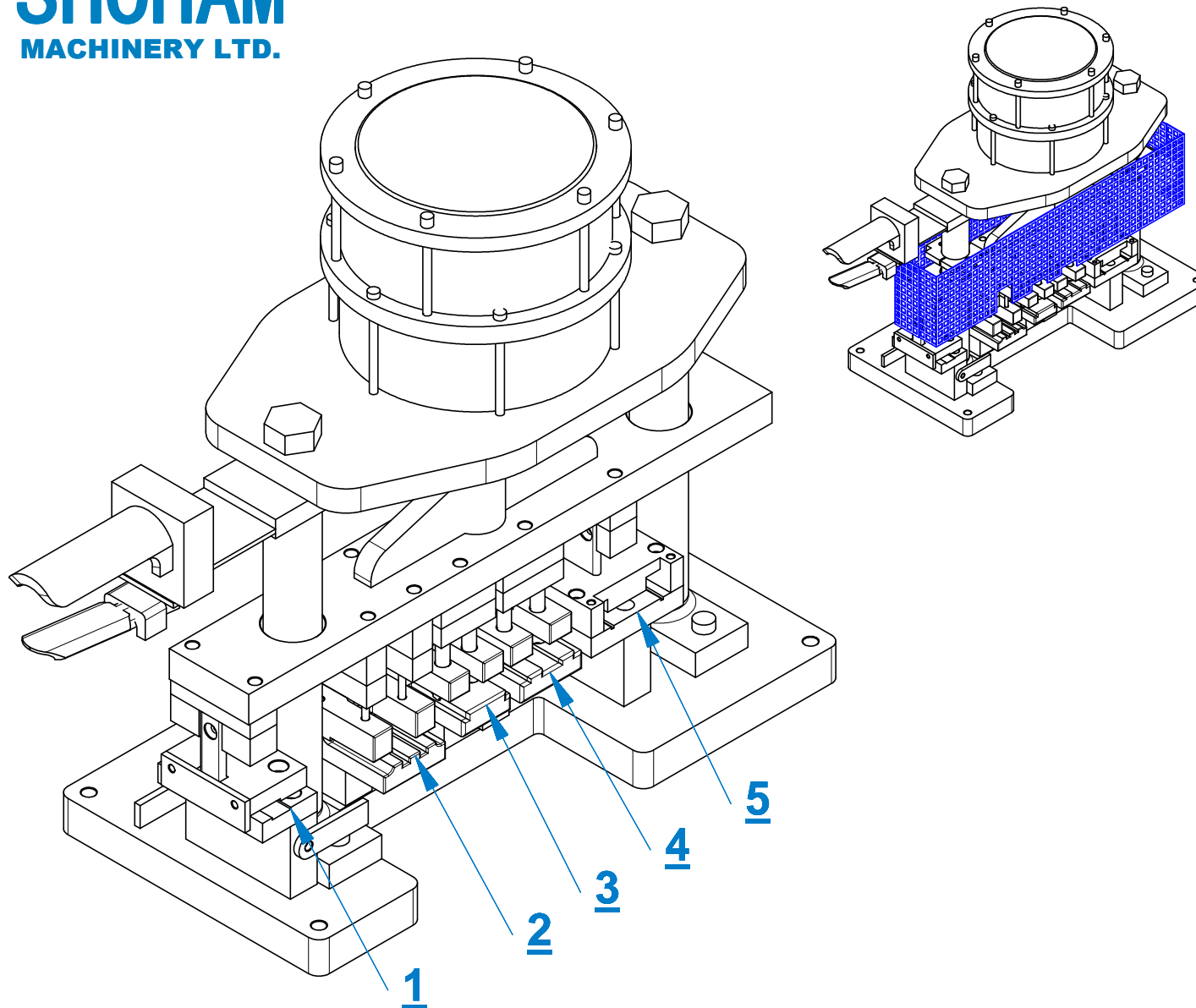
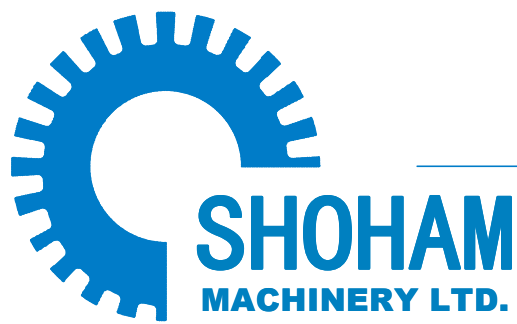


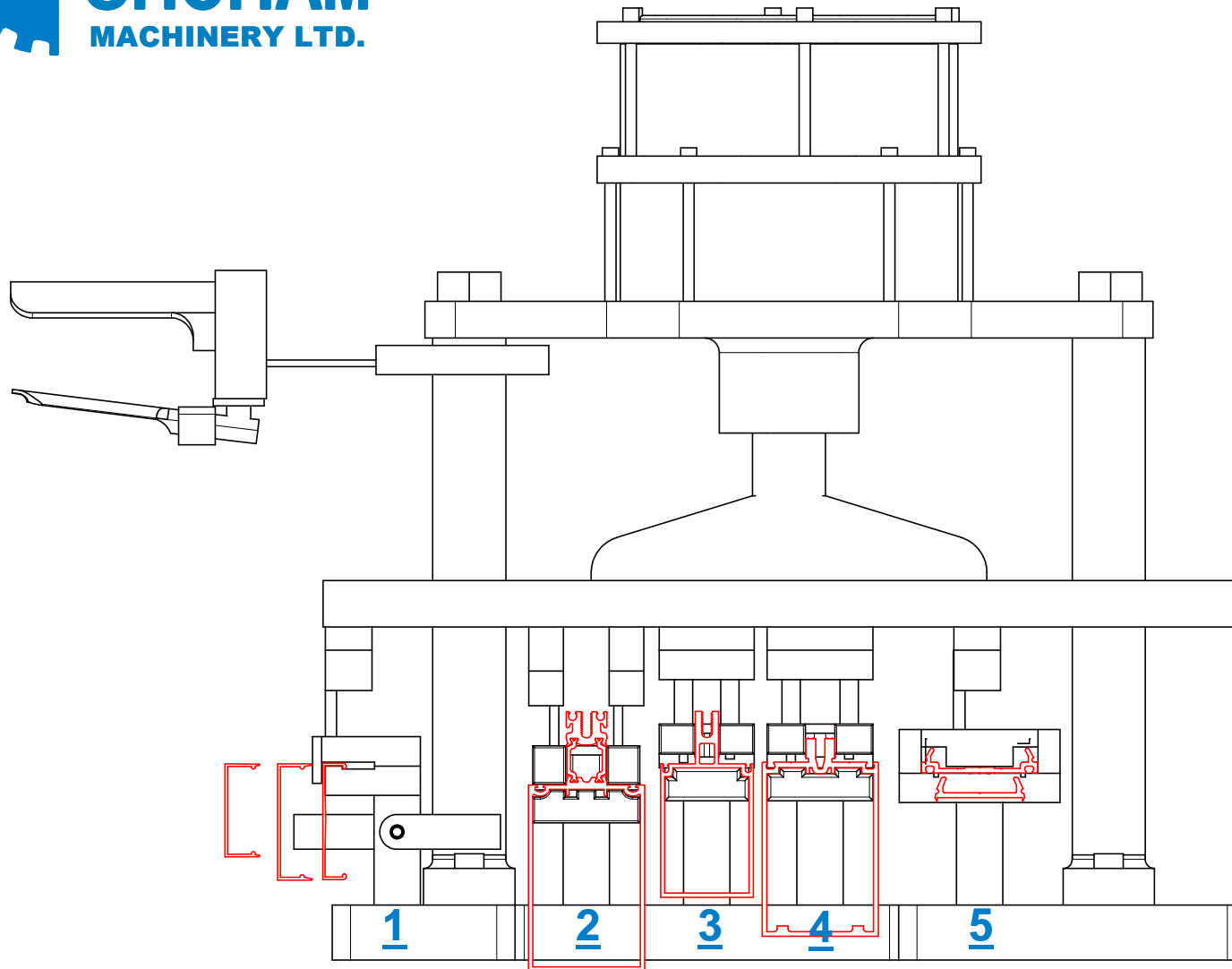
Pneumatic press Model Kawneer KW-501 for series 1600&1600UT&1602&7500



241218

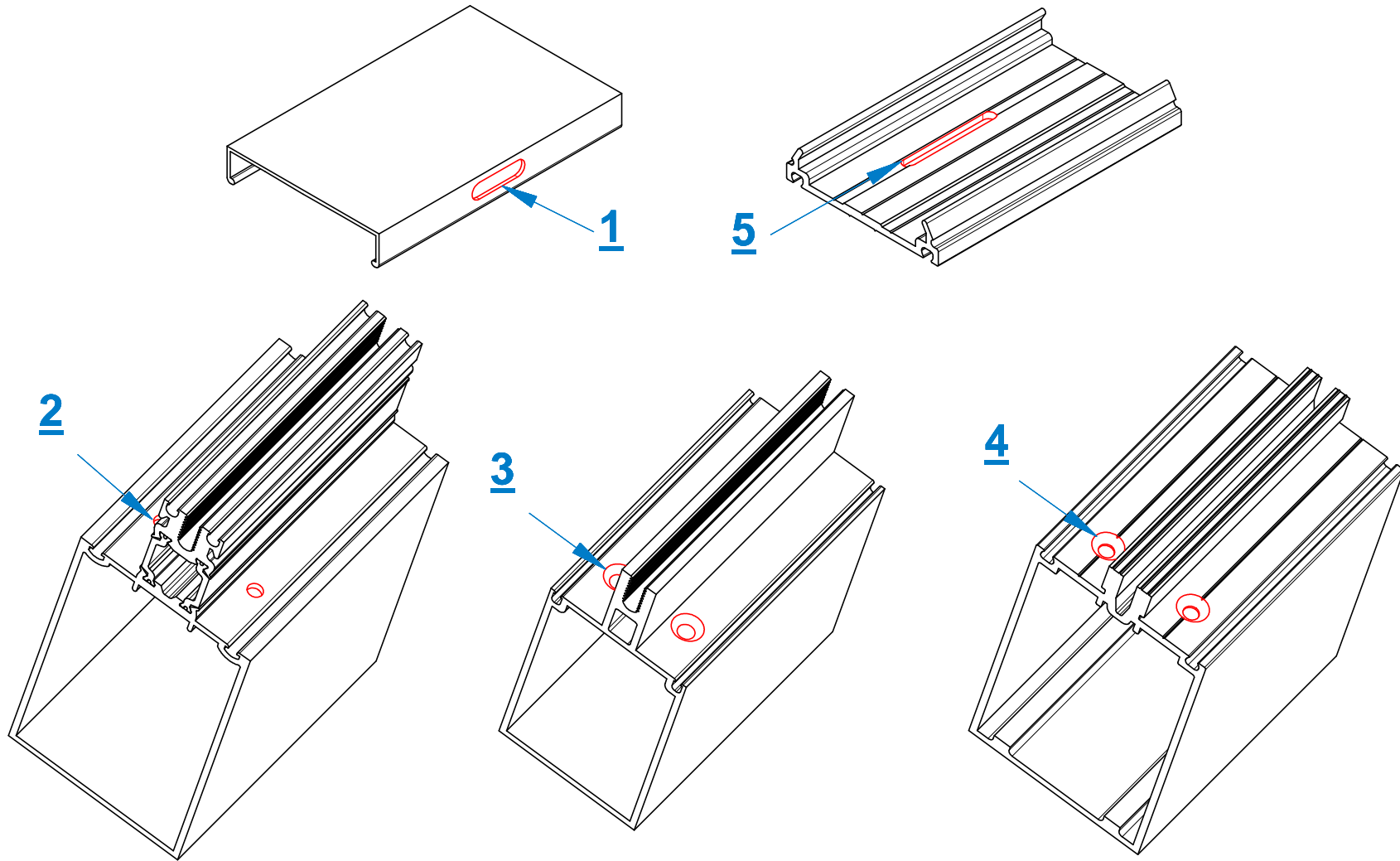


Model Kawneer KW-501 for series 1600&1600UT&1602&7500



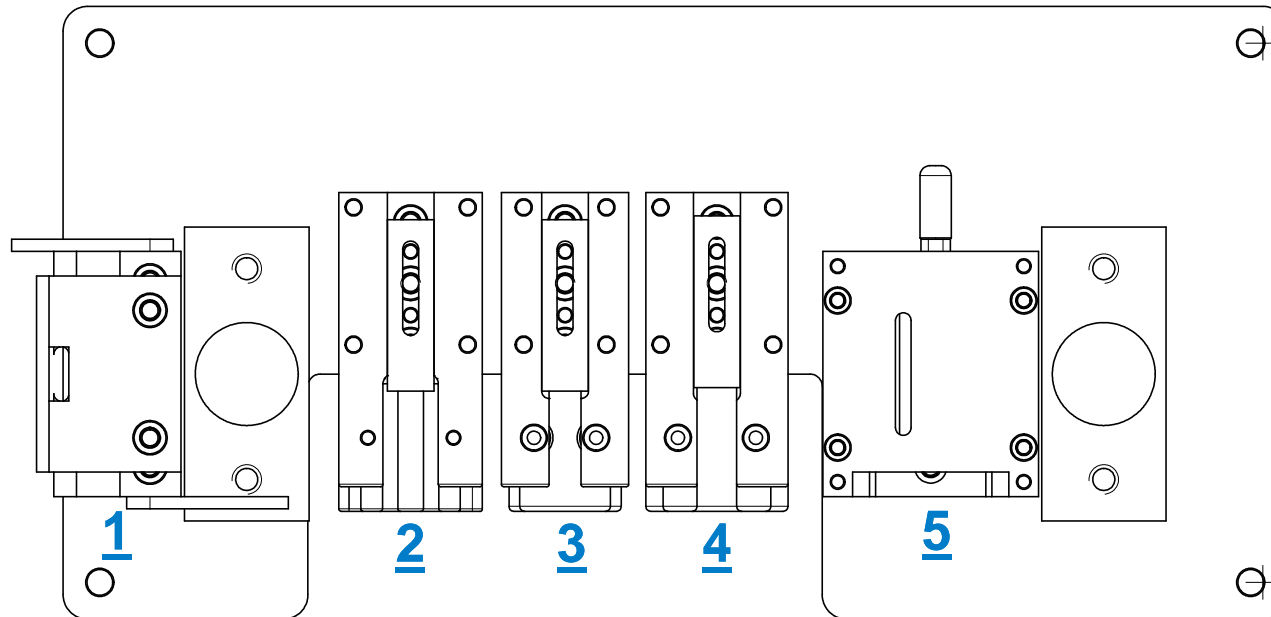
241218

Model Kawneer KW-501
for series 1600&1600UT&1602&7500



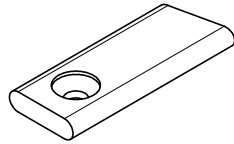
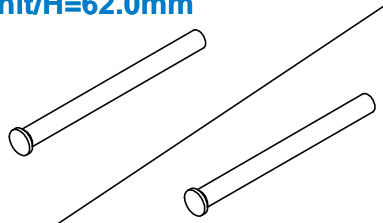
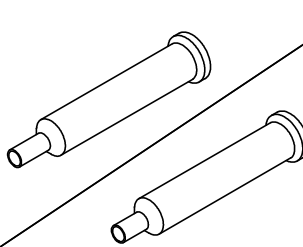
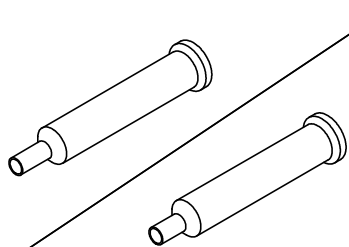
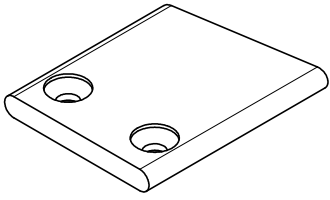
241218

Model Kawneer KW-501
for series 1600&1600UT&1602&7500



STATION	SERIAL	DESCRIPTION
1	KW501-1	Kawneer Cap drainage slot 6x22mm for 1600&1600UT&1602 series
2	KW501-2	Kawneer Mullion end-punch without csk for 7500UT series
3	KW501-3	Kawneer Mullion end-punch including csk for 1602 series
4	KW501-4	Kawneer Mullion end-punch including csk for 1600&1600UT series
5	KW501-5	Kawneer Pressure Plate drainage slot 6.5x50mm for 1600&1600UT&1602 series

241218

<p>Cutter: KW501-K01-6</p>  <p>1</p> <p style="writing-mode: vertical-rl; transform: rotate(180deg);">STATION No.1</p>	<p>Cutter: KW501-K02-7 (Ø5.0) 1 unit/H=62.0mm</p>  <p>2</p> <p style="writing-mode: vertical-rl; transform: rotate(180deg);">STATION No.2</p> <p>KW501-K02-8 (Ø5.0) 1 unit/H=58mm</p>	<p>Cutter: KW501-K03-6/H=61.5mm</p>  <p>3</p> <p style="writing-mode: vertical-rl; transform: rotate(180deg);">STATION No.3</p> <p>KW501-K03-7/H=59.5mm</p>	<p>Cutter: KW501-K04-6/H=61.5mm</p>  <p>4</p> <p style="writing-mode: vertical-rl; transform: rotate(180deg);">STATION No.4</p> <p>KW501-K04-7/H=59.5mm</p>
<p>Cutter: KW501-K05-6</p>  <p style="writing-mode: vertical-rl; transform: rotate(180deg);">STATION No.5</p>			