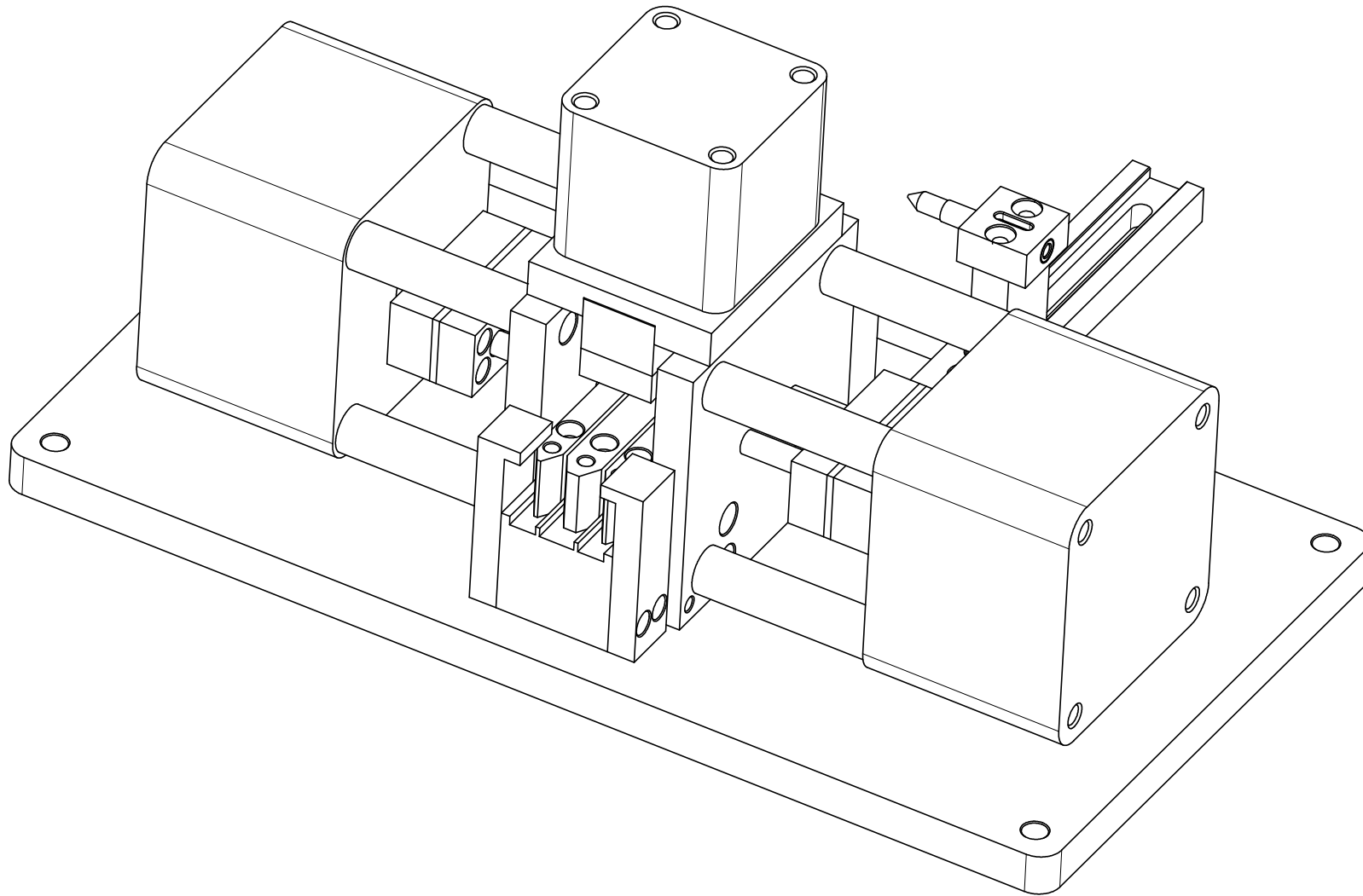


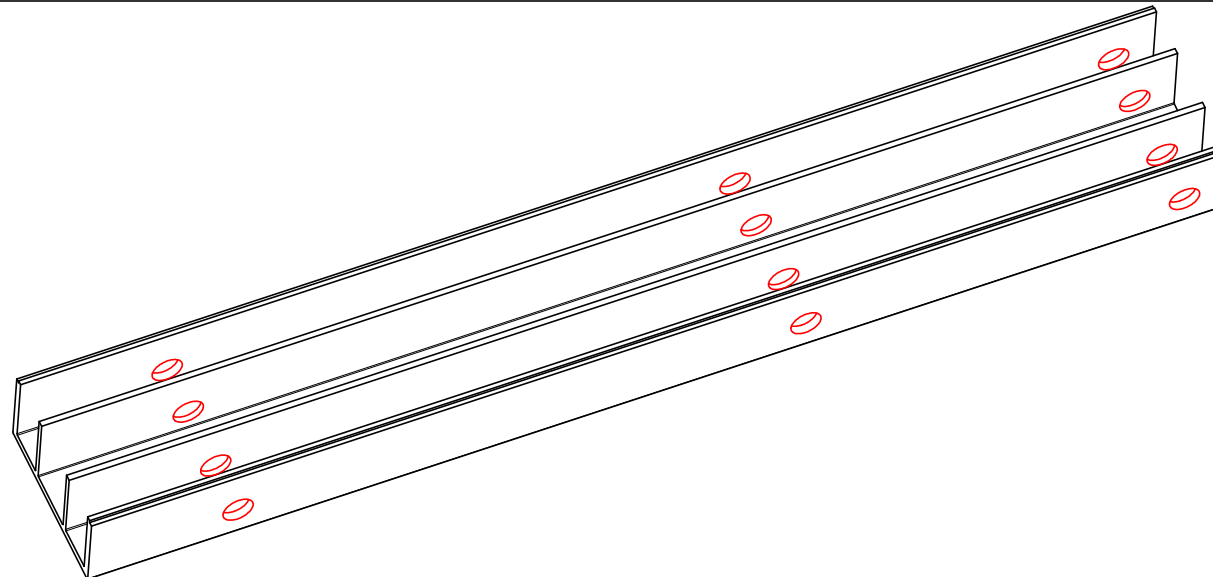
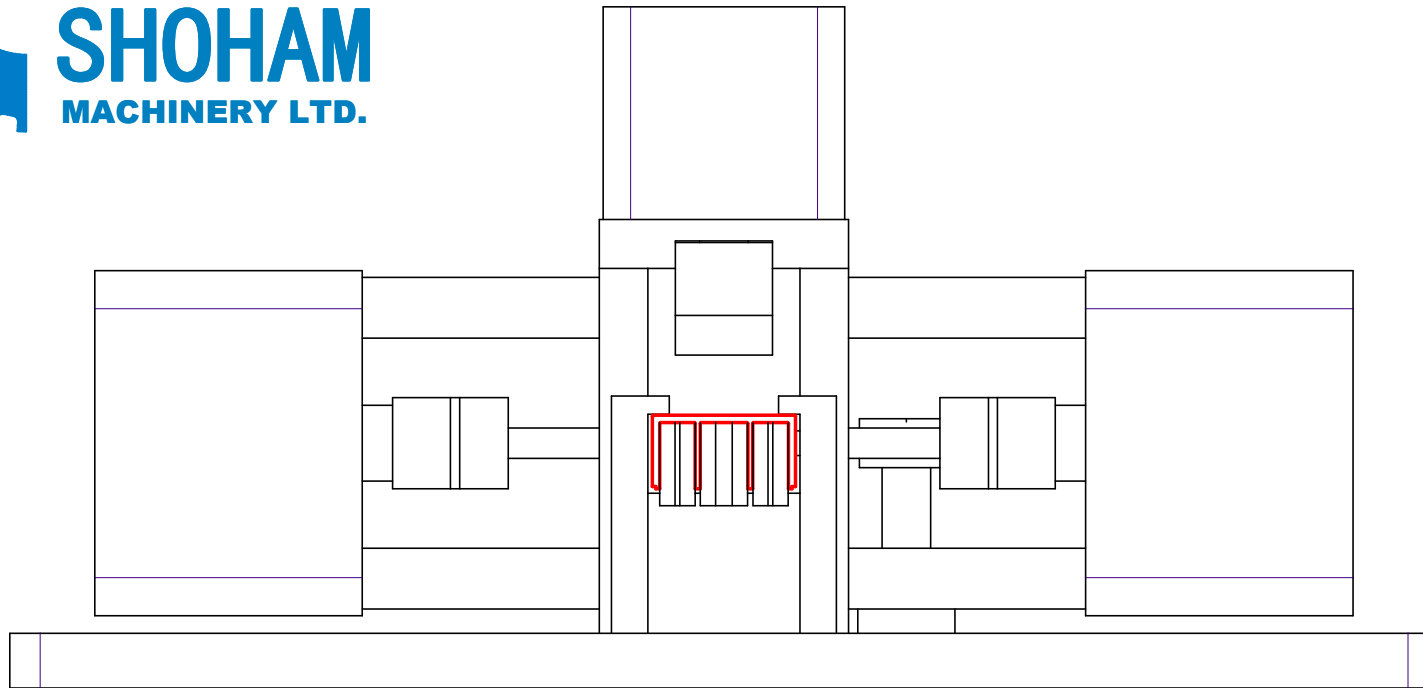
Pneumatic tool for punching horizontal 8mm holes through 4 walls in a rail for bearings



270120



Pneumatic tool for punching horizontal 8mm holes through 4 walls in a rail for bearings



270120