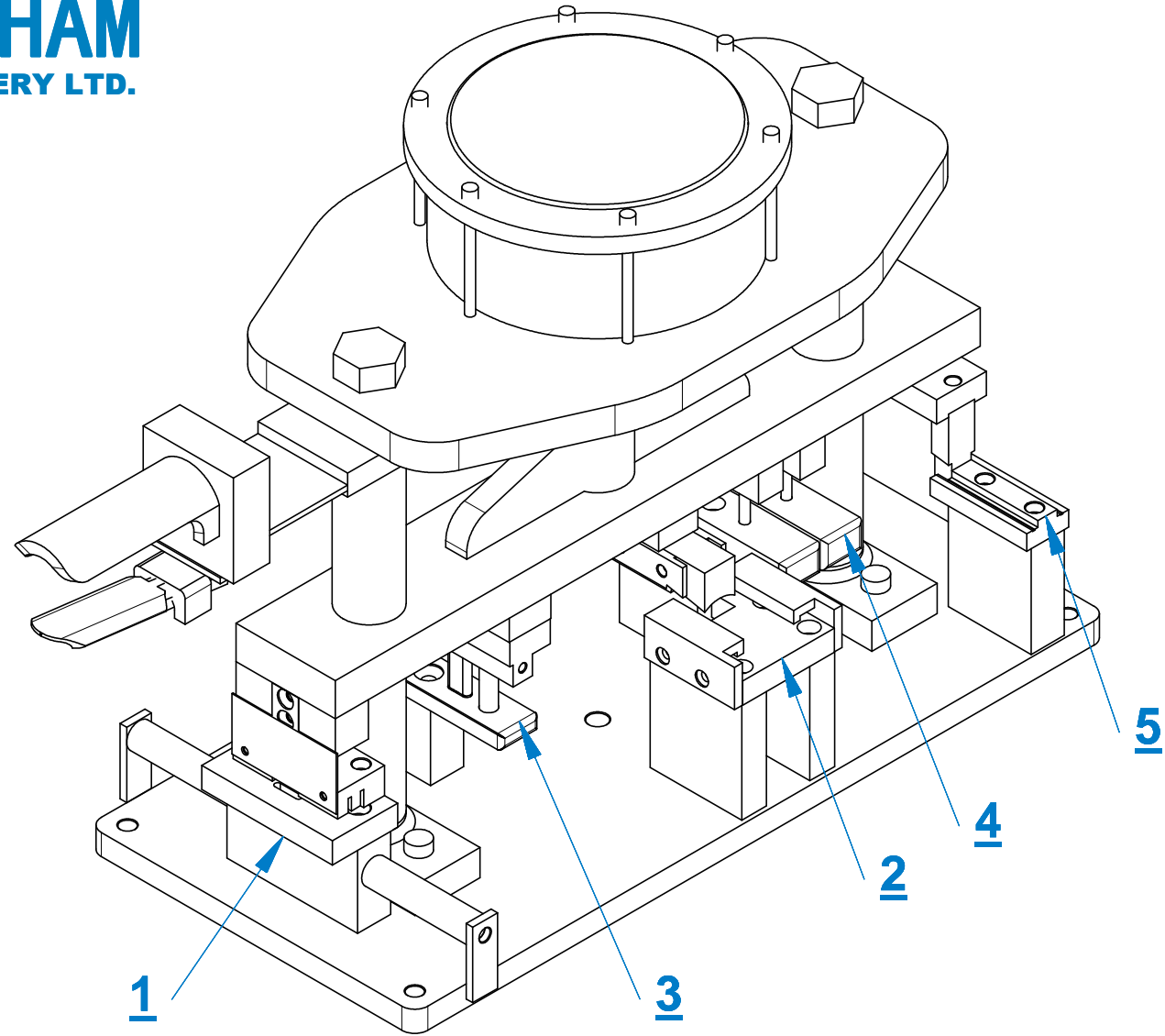
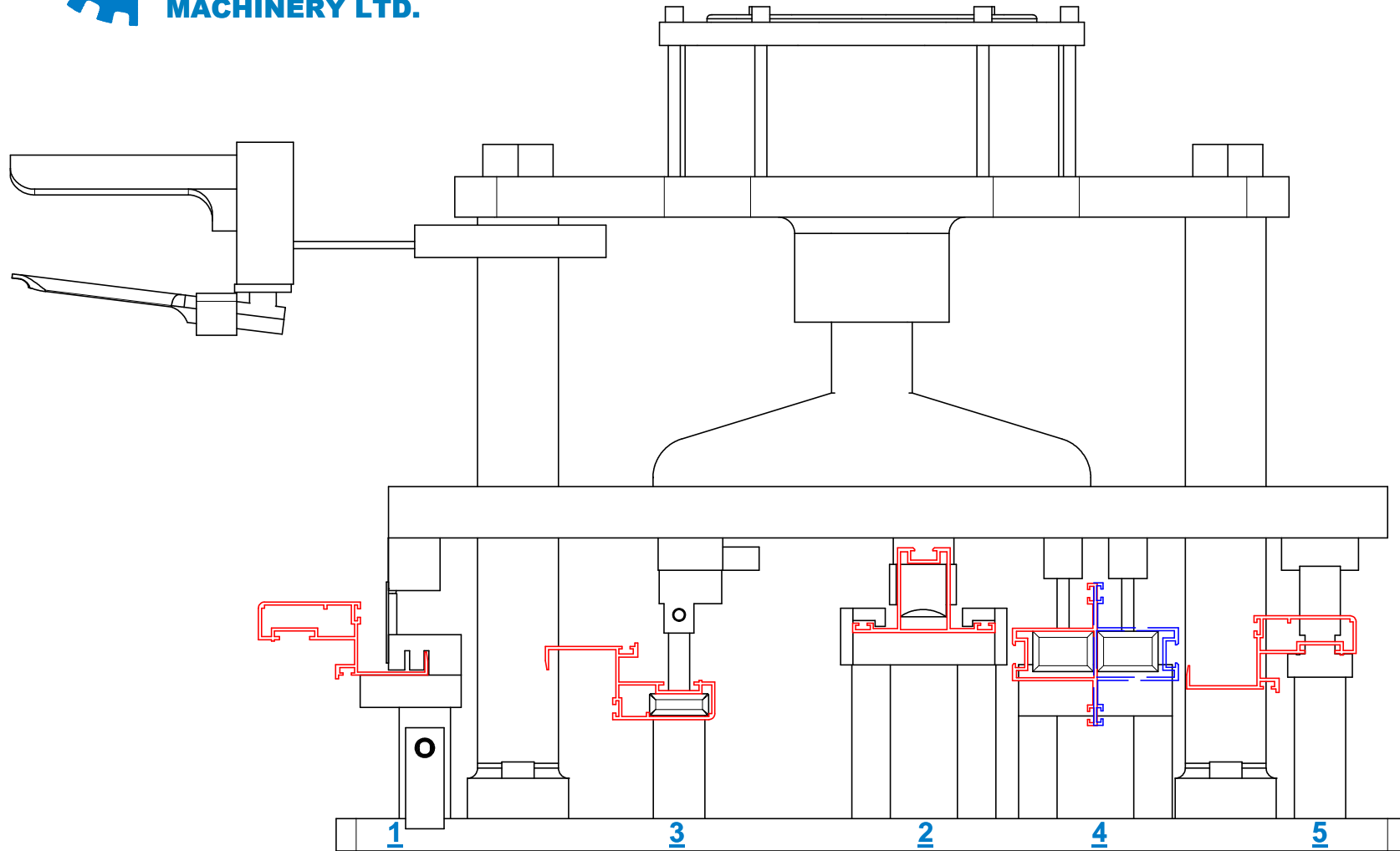
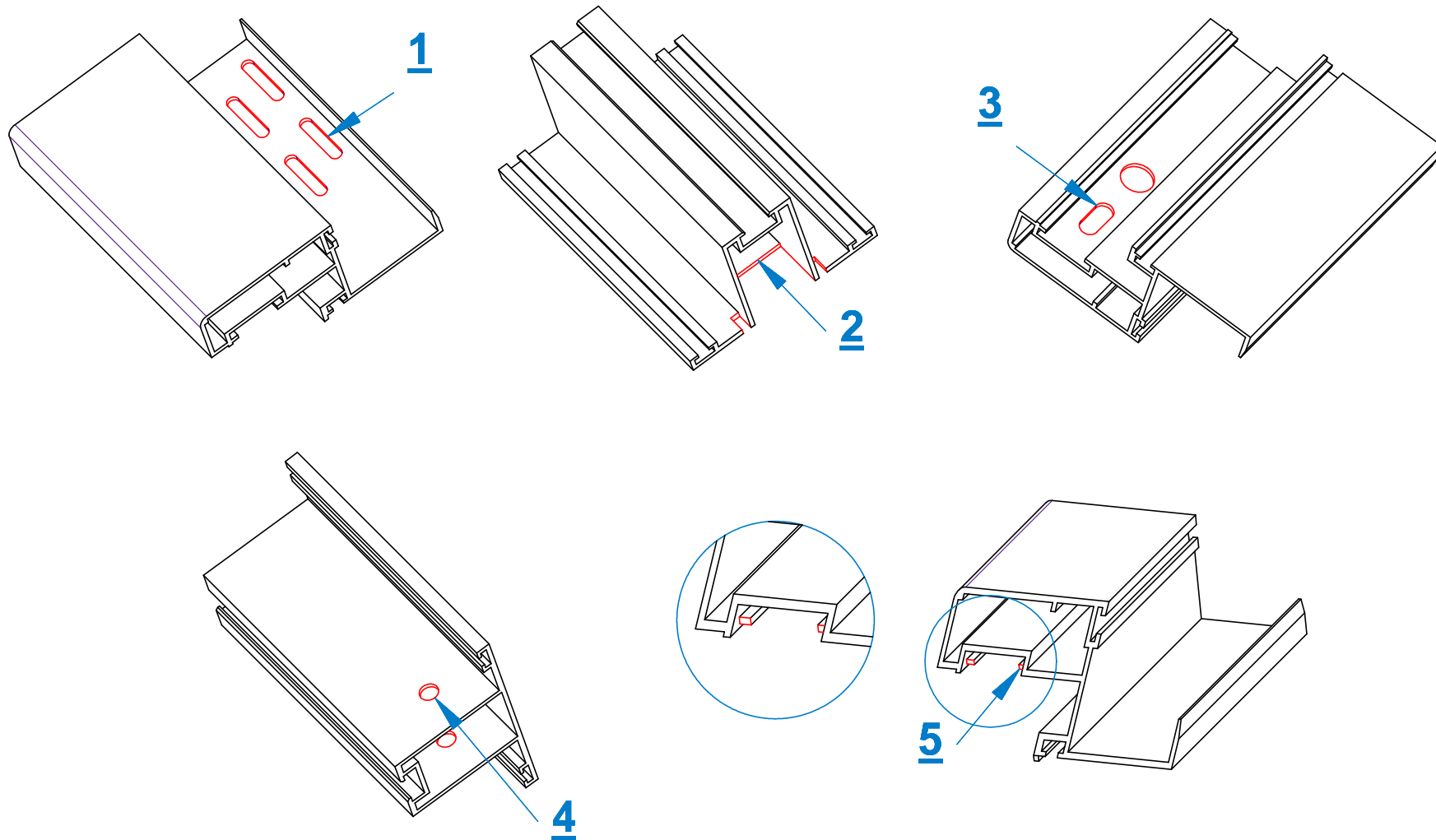
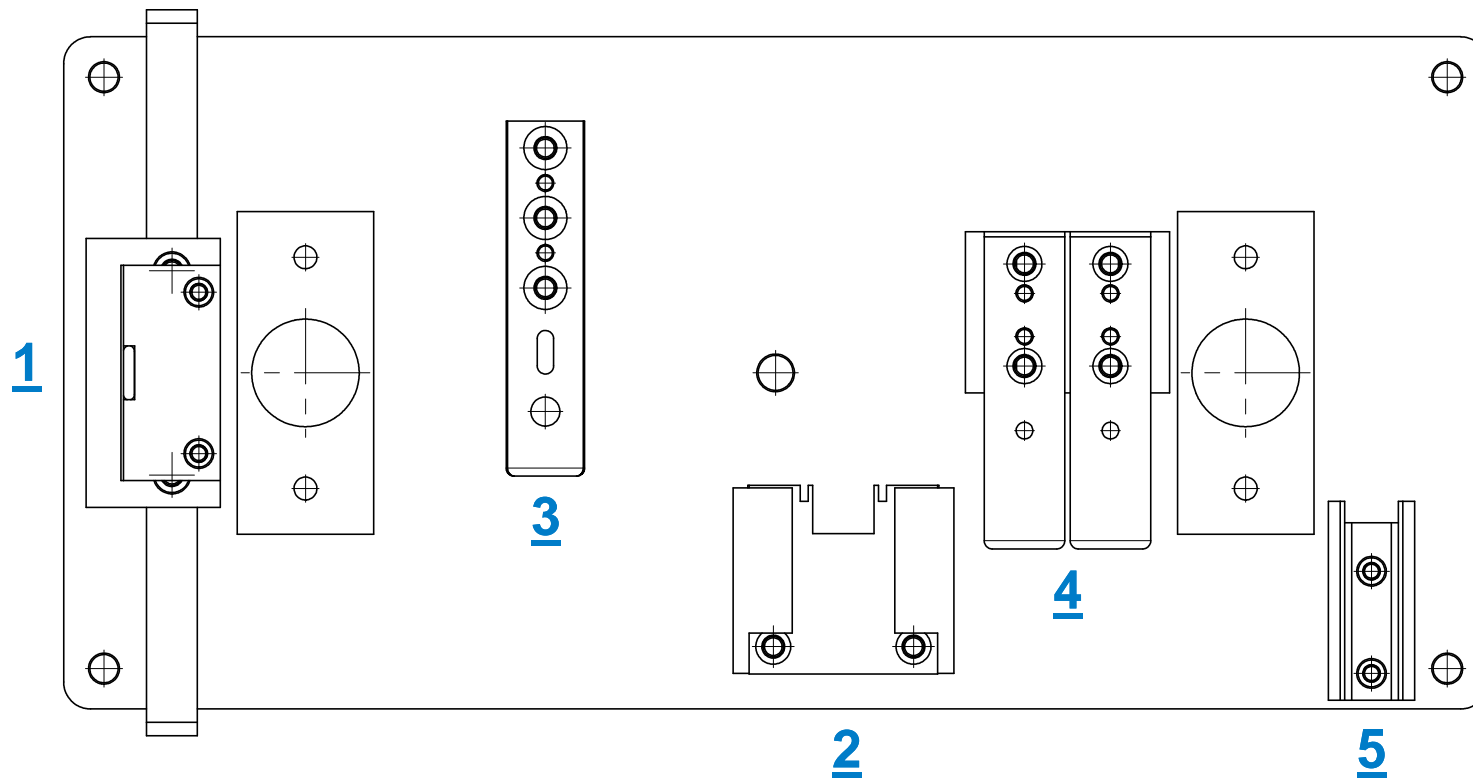


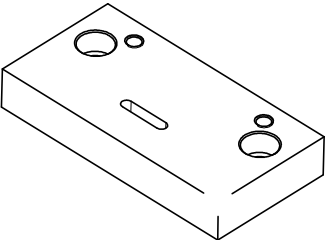
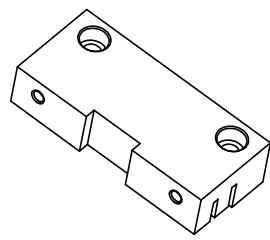
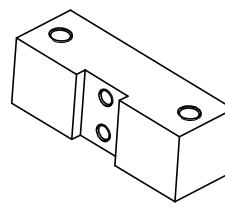
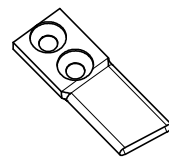
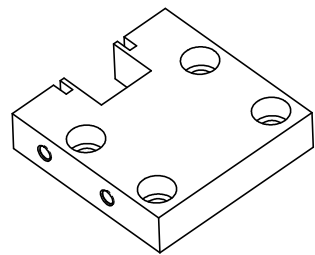
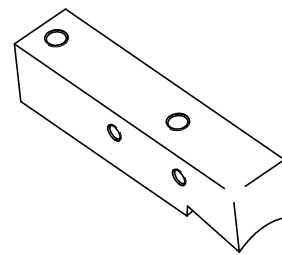
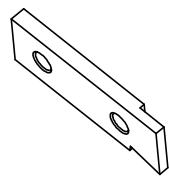
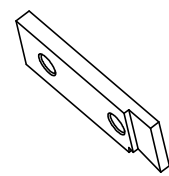
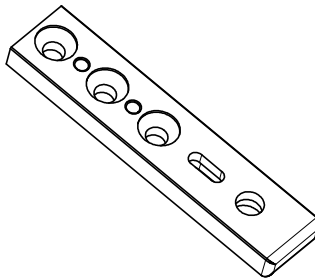
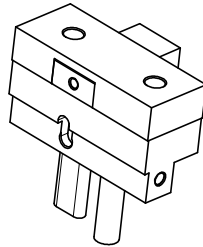
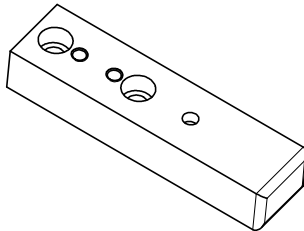
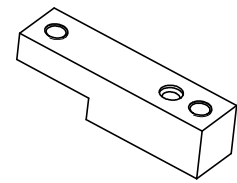
# Pneumatic Tool Model MU4200

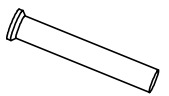
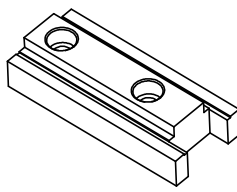
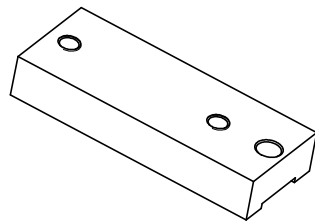
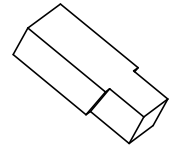








<p>Matrix: MU4200-M01-1</p>  <p><b>1</b></p> <p style="writing-mode: vertical-rl; transform: rotate(180deg);">STATION No.1</p>	<p>Profile Guide: MU4200-G01-2</p>  <p><b>2</b></p> <p style="writing-mode: vertical-rl; transform: rotate(180deg);">STATION No.1</p>	<p>Cutter Guide: MU4200-H01-4</p>  <p><b>3</b></p> <p style="writing-mode: vertical-rl; transform: rotate(180deg);">STATION No.1</p>	<p>Cutter : MU4200-K01-5</p>  <p><b>4</b></p> <p style="writing-mode: vertical-rl; transform: rotate(180deg);">STATION No.1</p>
<p>Matrix: MU4200-M02-1</p>  <p><b>5</b></p> <p style="writing-mode: vertical-rl; transform: rotate(180deg);">STATION No.2</p>	<p>Cutter : MU4200-K02-4</p>  <p><b>6</b></p> <p style="writing-mode: vertical-rl; transform: rotate(180deg);">STATION No.2</p>	<p>Cutter : MU4200-K02-5L</p>  <p><b>7</b></p> <p style="writing-mode: vertical-rl; transform: rotate(180deg);">STATION No.2</p>	<p>Cutter : MU4200-K02-5R</p>  <p><b>8</b></p> <p style="writing-mode: vertical-rl; transform: rotate(180deg);">STATION No.2</p>
<p>Matrix: MU4200-M03-1</p>  <p><b>9</b></p> <p style="writing-mode: vertical-rl; transform: rotate(180deg);">STATION No.3</p>	<p>Holder with cutters: MU4200-H03-00</p>  <p><b>10</b></p> <p style="writing-mode: vertical-rl; transform: rotate(180deg);">STATION No.3</p>	<p>Matrix: MU4200-M04-1 2 units</p>  <p><b>11</b></p> <p style="writing-mode: vertical-rl; transform: rotate(180deg);">STATION No.4</p>	<p>Cutter Guide: MU4200-H04-4 2 units</p>  <p><b>12</b></p> <p style="writing-mode: vertical-rl; transform: rotate(180deg);">STATION No.4</p>

<p>Cutter: MU4200-K04-5 2 units: Ø6mm / L=36.0mm</p>  <p style="writing-mode: vertical-rl; transform: rotate(180deg);">STATION No.4</p> <p><b><u>13</u></b></p>	<p>Matrix: MU4200-M05-1</p>  <p style="writing-mode: vertical-rl; transform: rotate(180deg);">STATION No.5</p> <p><b><u>14</u></b></p>	<p>Cutter Guide: MU4200-H05-3</p>  <p style="writing-mode: vertical-rl; transform: rotate(180deg);">STATION No.5</p> <p><b><u>15</u></b></p>	<p>Cutter : MU4200-K05-4</p>  <p style="writing-mode: vertical-rl; transform: rotate(180deg);">STATION No.5</p> <p><b><u>16</u></b></p>