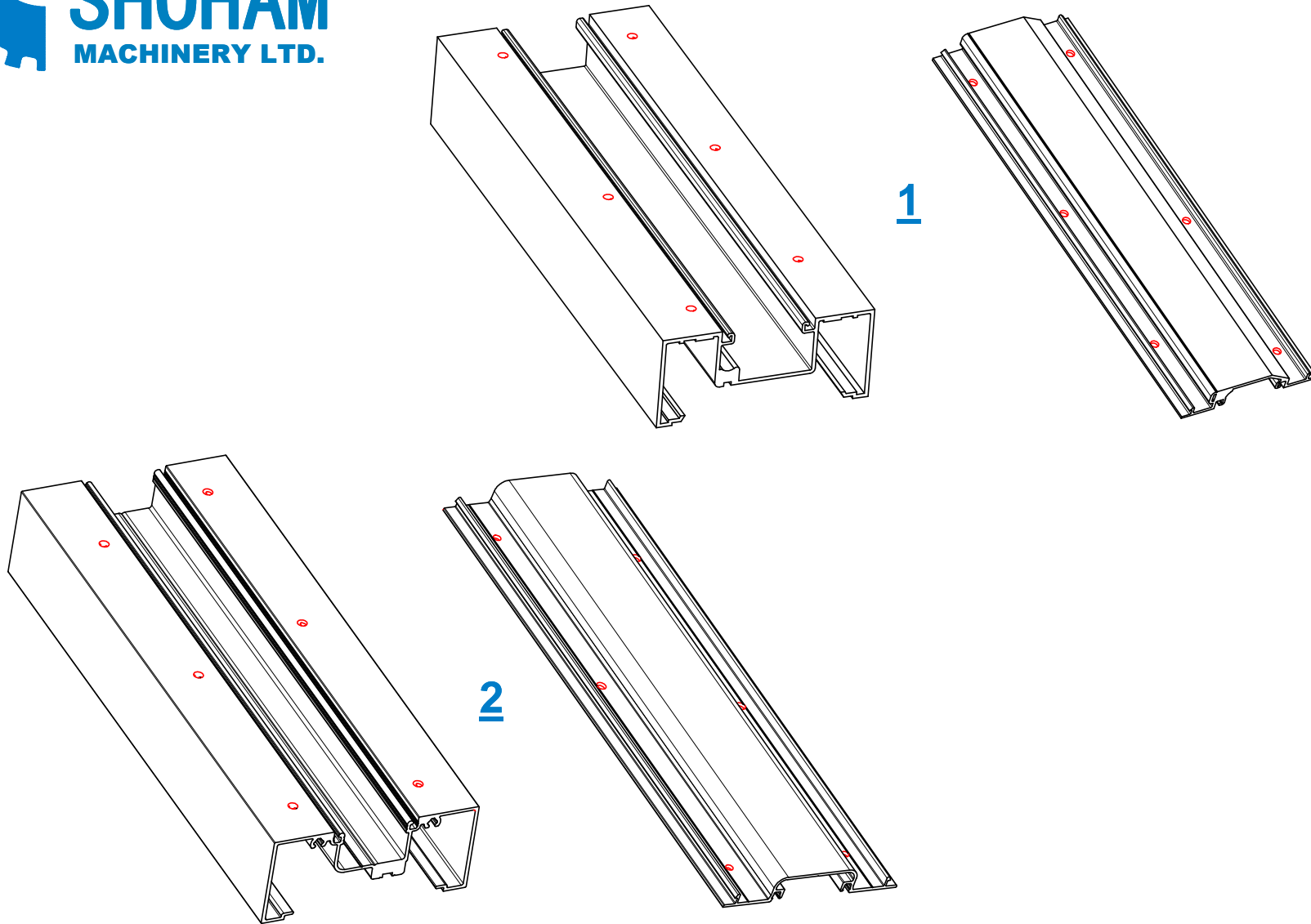


# Model TUBELITE / EFCO



130919

THIS DRAWING IS THE PROPERTY OF SHOHAM MACHINERY LTD AND ITS SUBSIDIARIES AND MUST NOT BE COPIED OR REPRODUCED WITHOUT THEIR PERMISSION

10 HaKishor St. Holon Industrial-Zone 5886703, Israel Tel. +972-3-6797600 Fax. +972-3-6830213

www.shoham-machinery.com info@shoham-mach.co.il