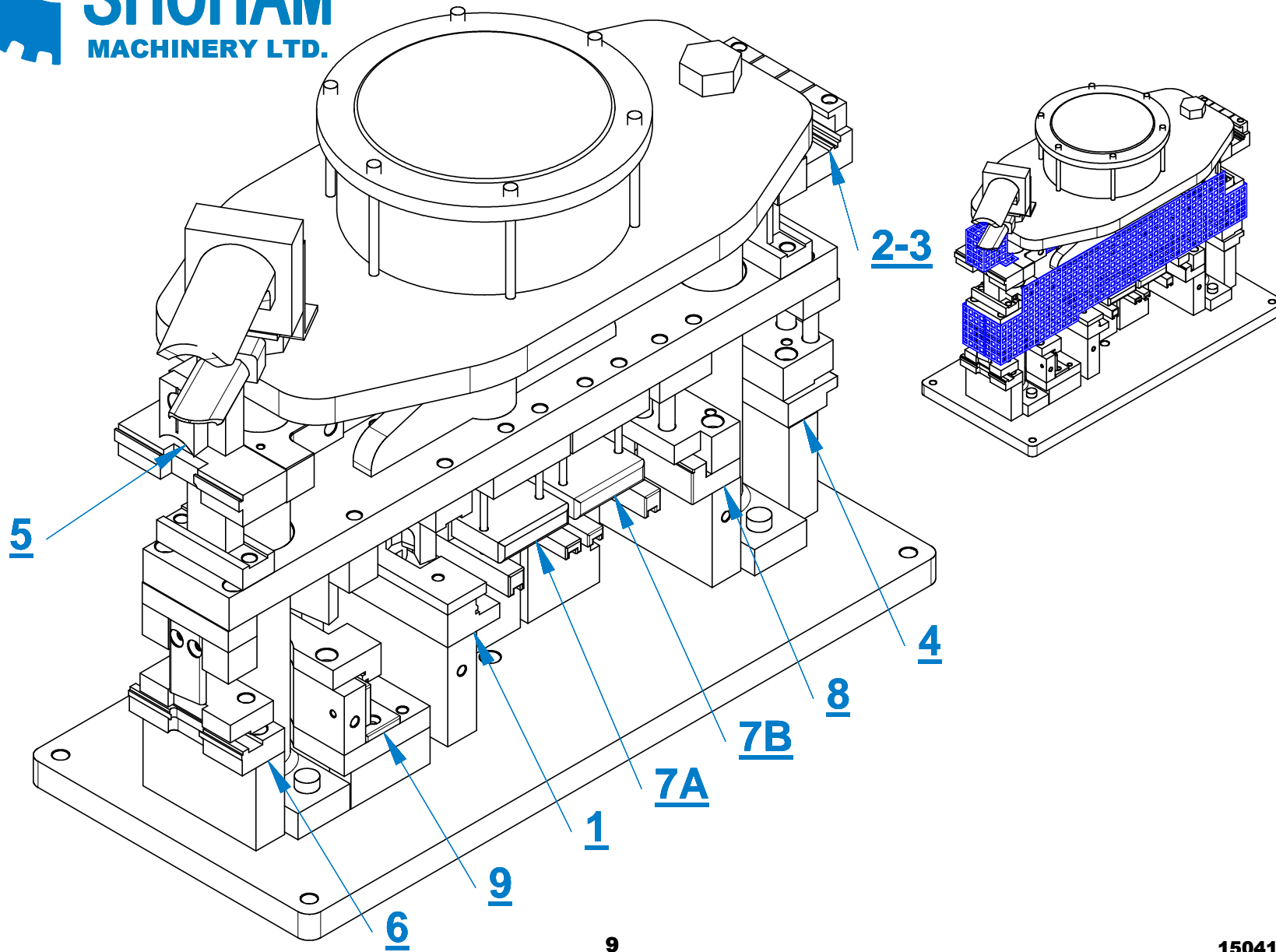


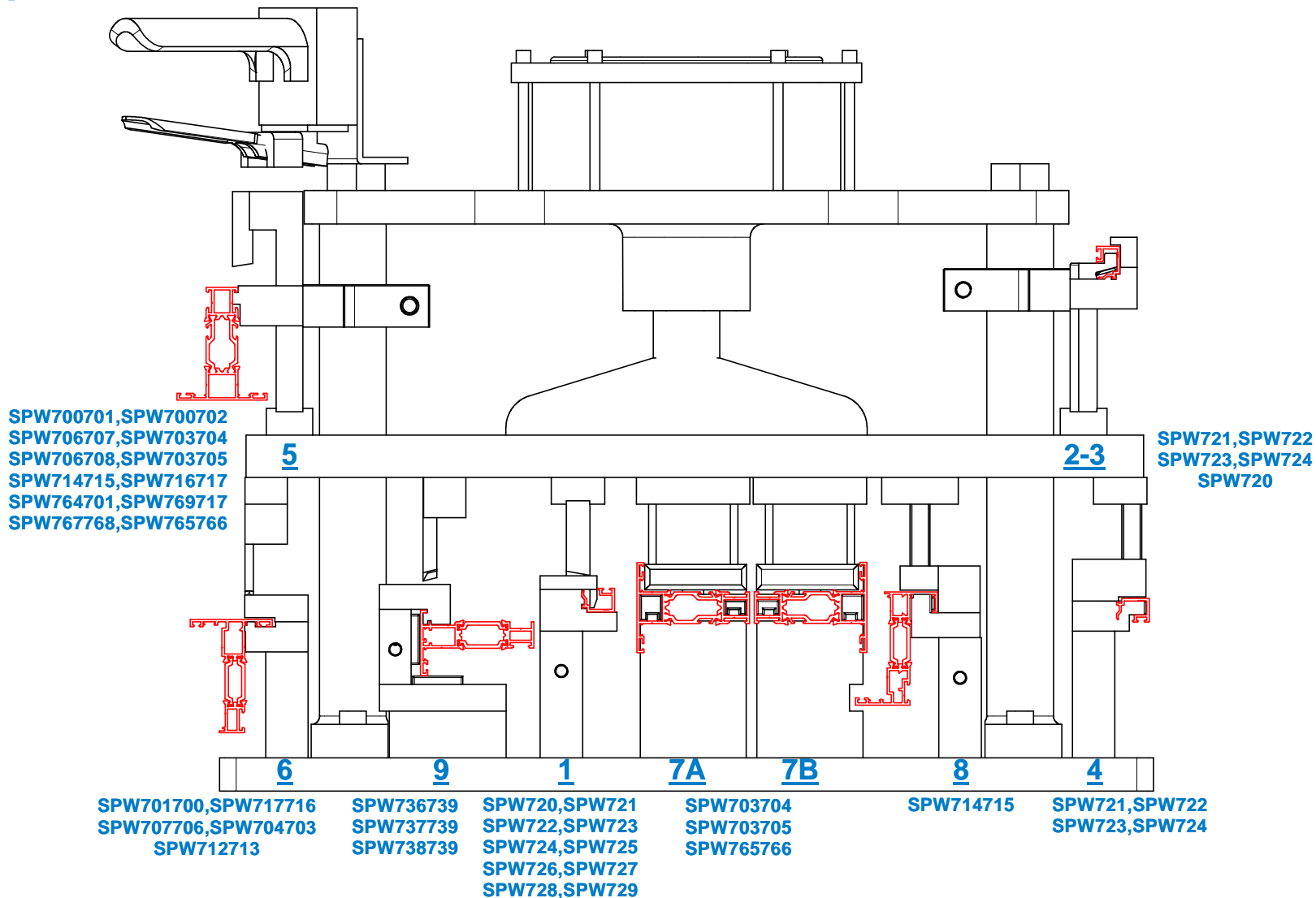
Pneumatic press Model TPSH31

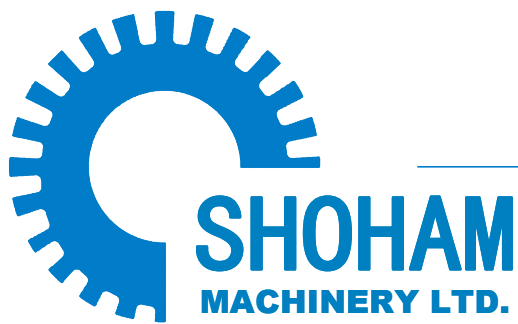




SHOHAM
MACHINERY LTD.

Model TPSH31





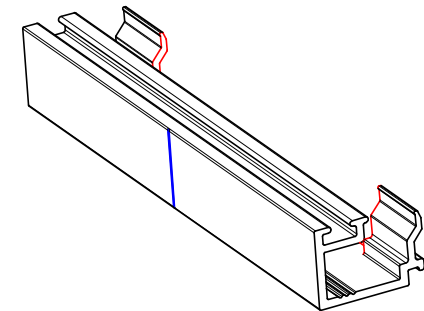
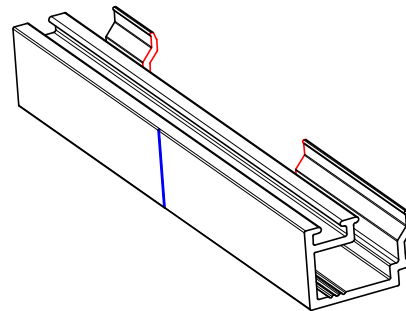
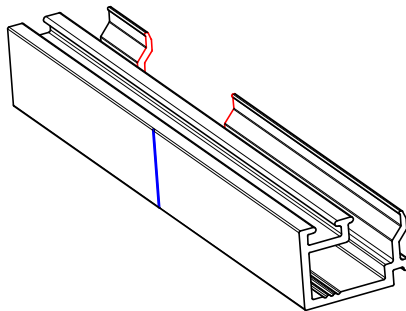
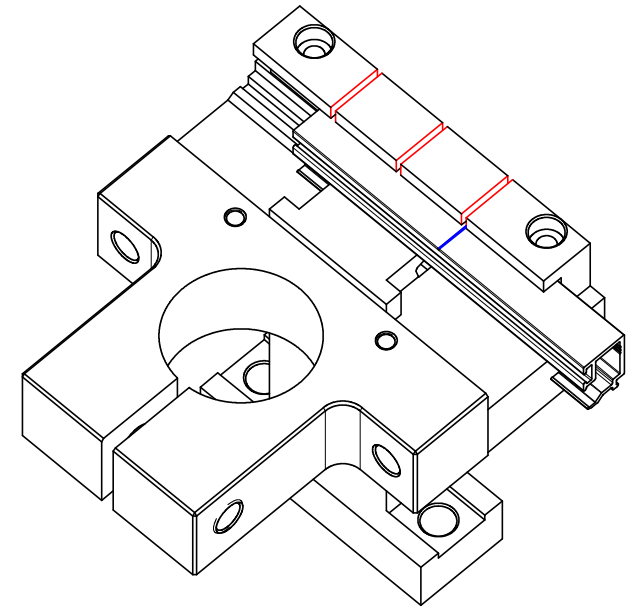
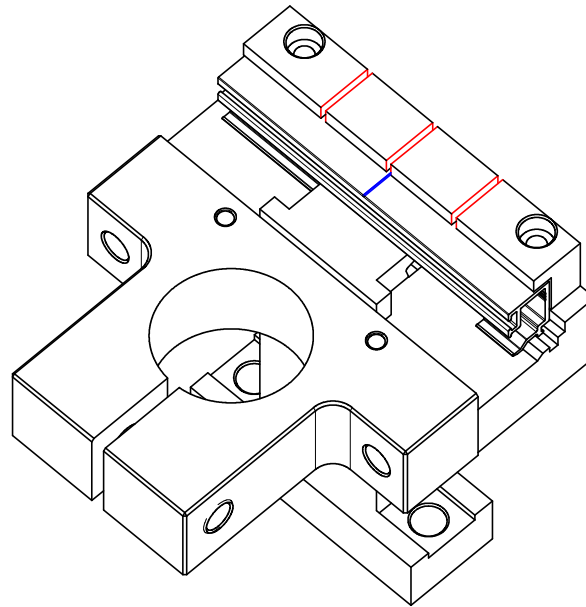
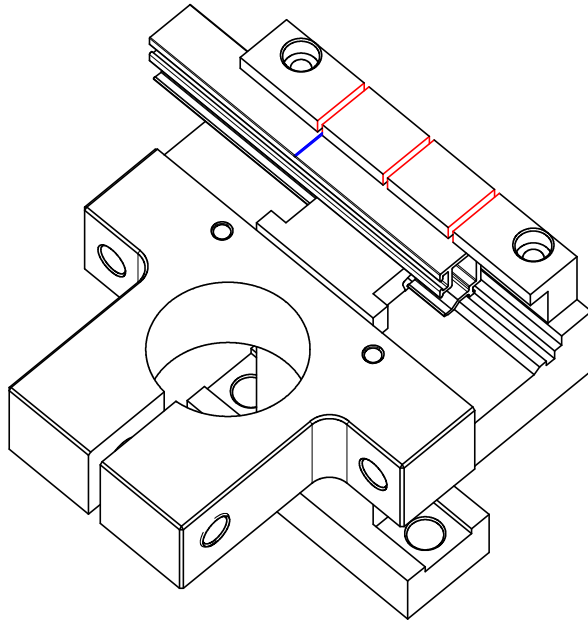
Model TPSH31

Station no.2-3 (75.0mm)

Step no.1

Step no.2

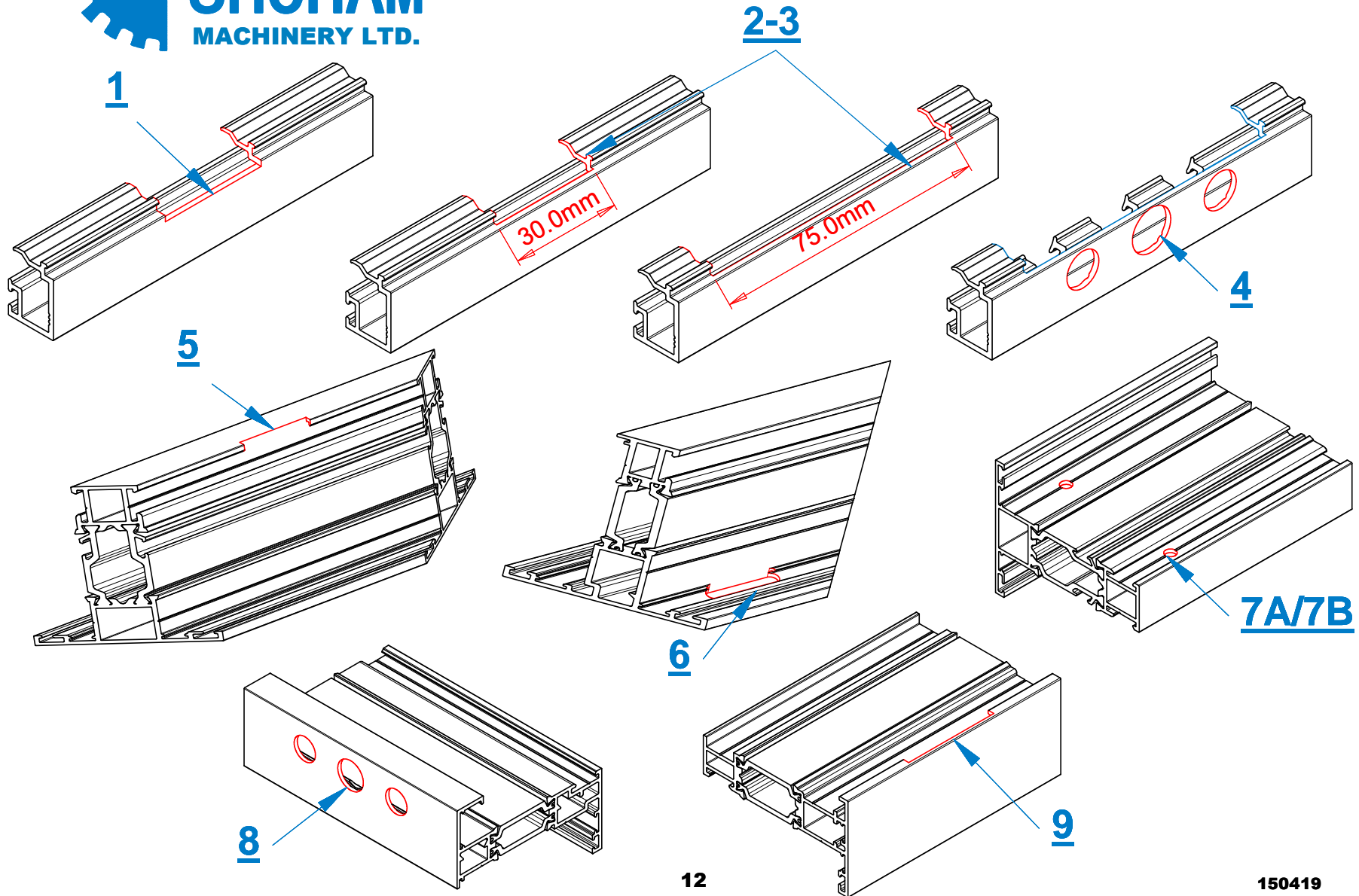
Step no.3



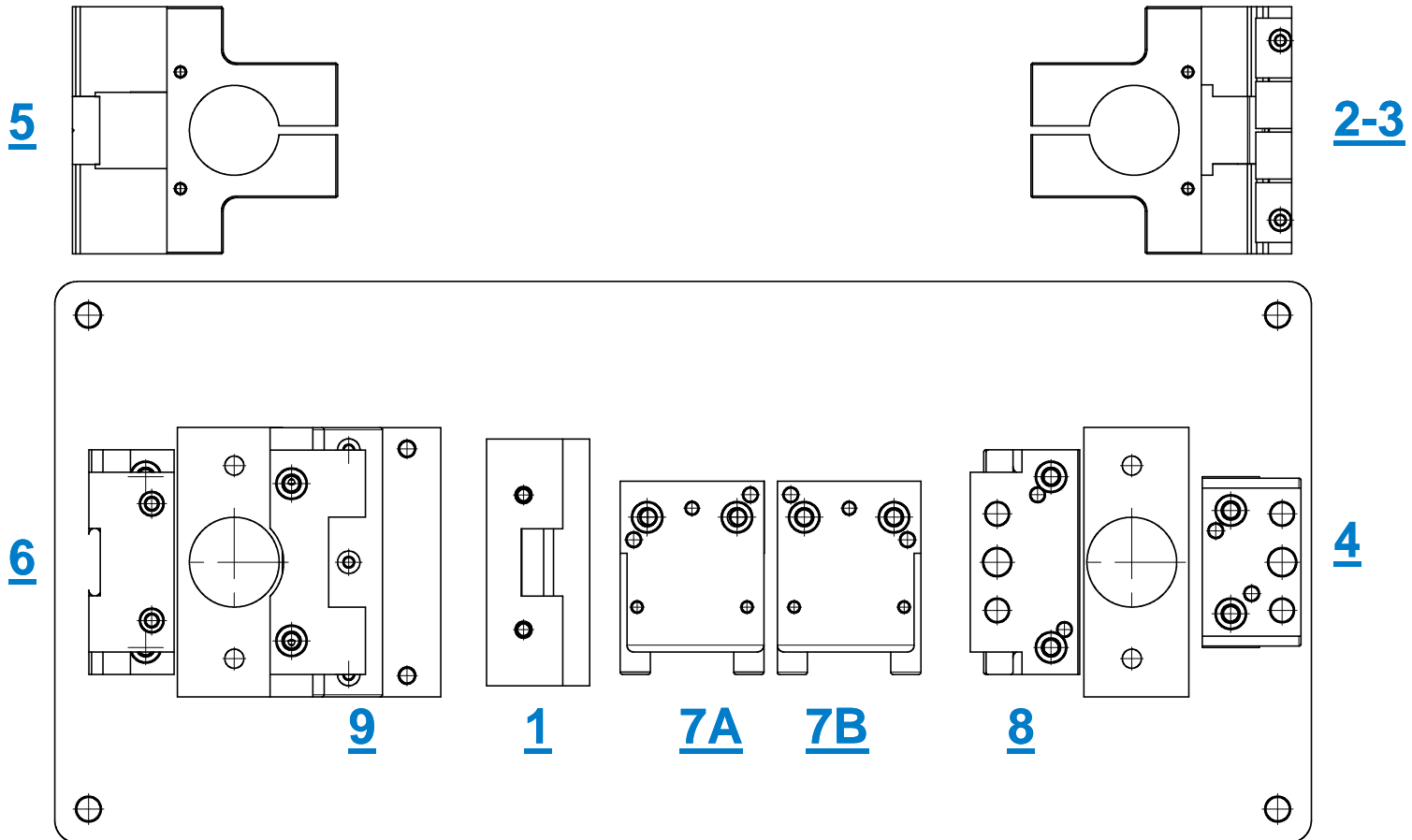


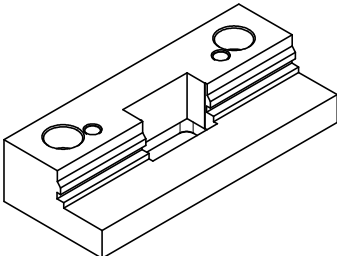
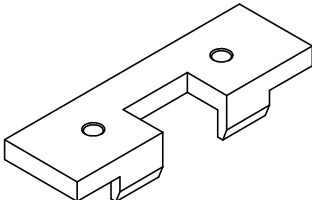
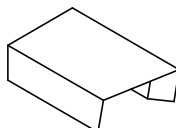
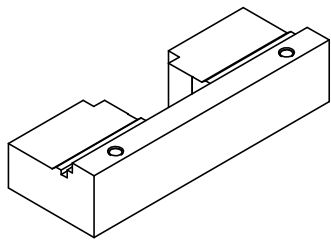
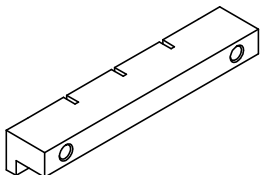
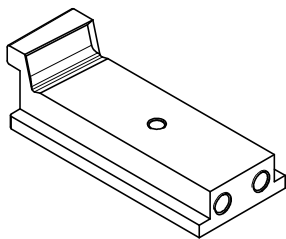
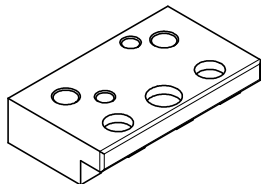
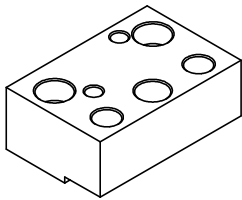
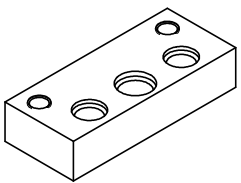
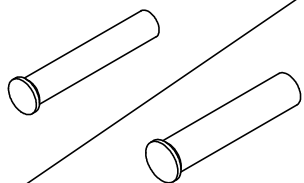
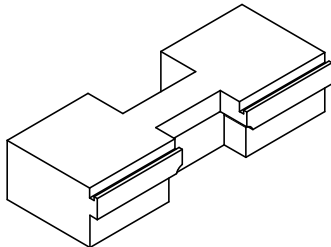
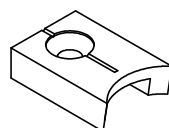
SHOHAM
MACHINERY LTD.

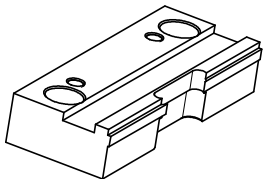
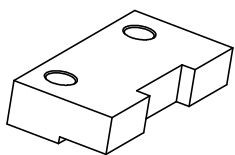
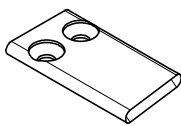
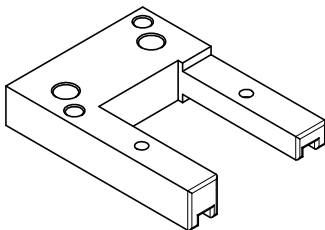
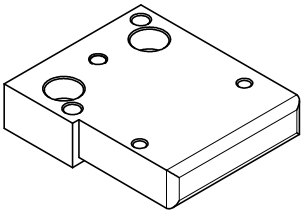
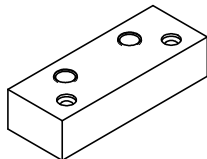
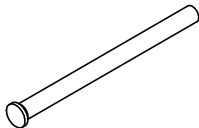
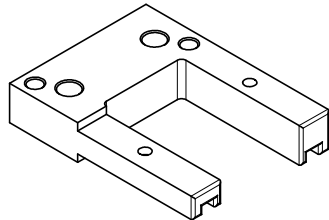
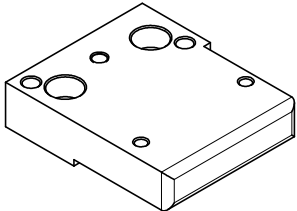
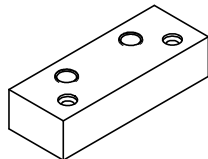
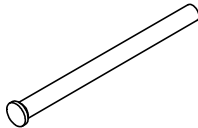
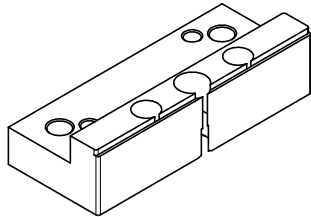
Model TPSH31

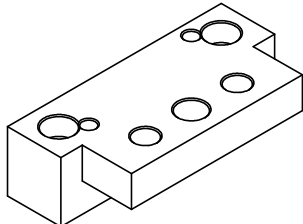
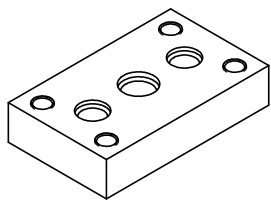
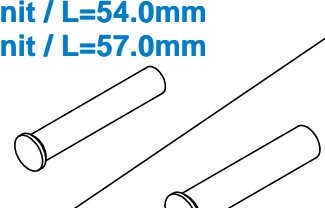
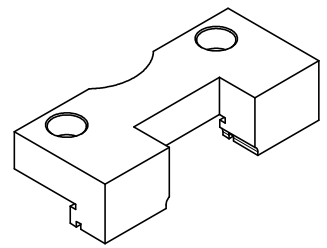
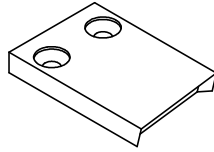


150419



<p>Matrix: TPSH31-M01-1</p>  <p>1</p> <p style="writing-mode: vertical-rl; transform: rotate(180deg);">STATION No.1</p>	<p>Profile Guide: TPSH31-G01-2</p>  <p>2</p> <p style="writing-mode: vertical-rl; transform: rotate(180deg);">STATION No.1</p>	<p>Cutter: TPSH31-K01-5</p>  <p>3</p> <p style="writing-mode: vertical-rl; transform: rotate(180deg);">STATION No.1</p>	<p>Matrix: TPSH31-M02-1</p>  <p>4</p> <p style="writing-mode: vertical-rl; transform: rotate(180deg);">STATION No.2</p>
<p>Profile Guide: TPSH31-G02-5</p>  <p>5</p> <p style="writing-mode: vertical-rl; transform: rotate(180deg);">STATION No.2</p>	<p>Cutter: TPSH31-K02-4</p>  <p>6</p> <p style="writing-mode: vertical-rl; transform: rotate(180deg);">STATION No.2</p>	<p>Matrix: TPSH31-M04-1</p>  <p>7</p> <p style="writing-mode: vertical-rl; transform: rotate(180deg);">STATION No.4</p>	<p>Profile Guide: TPSH31-G04-2</p>  <p>8</p> <p style="writing-mode: vertical-rl; transform: rotate(180deg);">STATION No.4</p>
<p>Cutter Holder: TPSH31-H04-4</p>  <p>9</p> <p style="writing-mode: vertical-rl; transform: rotate(180deg);">STATION No.4</p>	<p>Cutter: TPSH31-K04-5 (Ø10.0) 2 units / L=53.0mm</p>  <p>10</p> <p style="writing-mode: vertical-rl; transform: rotate(180deg);">STATION No.4</p> <p>TPSH31-K04-6 (Ø12.0) 1 unit / L=56.0mm</p>	<p>Matrix: TPSH31-M05-1</p>  <p>11</p> <p style="writing-mode: vertical-rl; transform: rotate(180deg);">STATION No.5</p>	<p>Cutter: TPSH31-K05-5</p>  <p>12</p> <p style="writing-mode: vertical-rl; transform: rotate(180deg);">STATION No.5</p>

<p>Matrix: TPSH31-M06-1</p>  <p>13</p> <p style="writing-mode: vertical-rl; transform: rotate(180deg);">STATION No.6</p>	<p>Profile Guide: TPSH31-G06-2</p>  <p>14</p> <p style="writing-mode: vertical-rl; transform: rotate(180deg);">STATION No.6</p>	<p>Cutter: TPSH31-K06-6</p>  <p>15</p> <p style="writing-mode: vertical-rl; transform: rotate(180deg);">STATION No.6</p>	<p>Matrix: TPSH31-M07-1A</p>  <p>16</p> <p style="writing-mode: vertical-rl; transform: rotate(180deg);">STATION No.7A</p>
<p>Profile Guide: TPSH31-G07-2A</p>  <p>17</p> <p style="writing-mode: vertical-rl; transform: rotate(180deg);">STATION No.7A</p>	<p>Cutter Holder: TPSH31-H07-4A</p>  <p>18</p> <p style="writing-mode: vertical-rl; transform: rotate(180deg);">STATION No.7A</p>	<p>Cutter: TPSH31-K07-5A (Ø4.5) 2 units / L=55.0mm</p>  <p>19</p> <p style="writing-mode: vertical-rl; transform: rotate(180deg);">STATION No.7A</p>	<p>Matrix: TPSH31-M07-1B</p>  <p>20</p> <p style="writing-mode: vertical-rl; transform: rotate(180deg);">STATION No.7B</p>
<p>Profile Guide: TPSH31-G07-2B</p>  <p>21</p> <p style="writing-mode: vertical-rl; transform: rotate(180deg);">STATION No.7B</p>	<p>Cutter Holder: TPSH31-H07-4B</p>  <p>22</p> <p style="writing-mode: vertical-rl; transform: rotate(180deg);">STATION No.7B</p>	<p>Cutter: TPSH31-K07-5B (Ø4.5) 2 units / L=55.0mm</p>  <p>23</p> <p style="writing-mode: vertical-rl; transform: rotate(180deg);">STATION No.7B</p>	<p>Matrix: TPSH31-M08-1</p>  <p>24</p> <p style="writing-mode: vertical-rl; transform: rotate(180deg);">STATION No.8</p>

<p>Profile Guide: TPSH31-G08-2</p>  <p>25</p> <p style="writing-mode: vertical-rl; transform: rotate(180deg);">STATION No.8</p>	<p>Cutter Holder: TPSH31-H08-4</p>  <p>26</p> <p style="writing-mode: vertical-rl; transform: rotate(180deg);">STATION No.8</p>	<p>Cutter: TPSH31-K08-5 (Ø10.0) 1 unit / L=54.0mm 1 unit / L=57.0mm</p>  <p>27</p> <p style="writing-mode: vertical-rl; transform: rotate(180deg);">STATION No.8</p> <p>TPSH31-K08-6 (Ø12.0) 1 unit / L=61.0mm</p>	<p>Matrix: TPSH31-M09-1</p>  <p>28</p> <p style="writing-mode: vertical-rl; transform: rotate(180deg);">STATION No.9</p>
<p>Cutter: TPSH31-K09-7</p>  <p>29</p> <p style="writing-mode: vertical-rl; transform: rotate(180deg);">STATION No.9</p>			