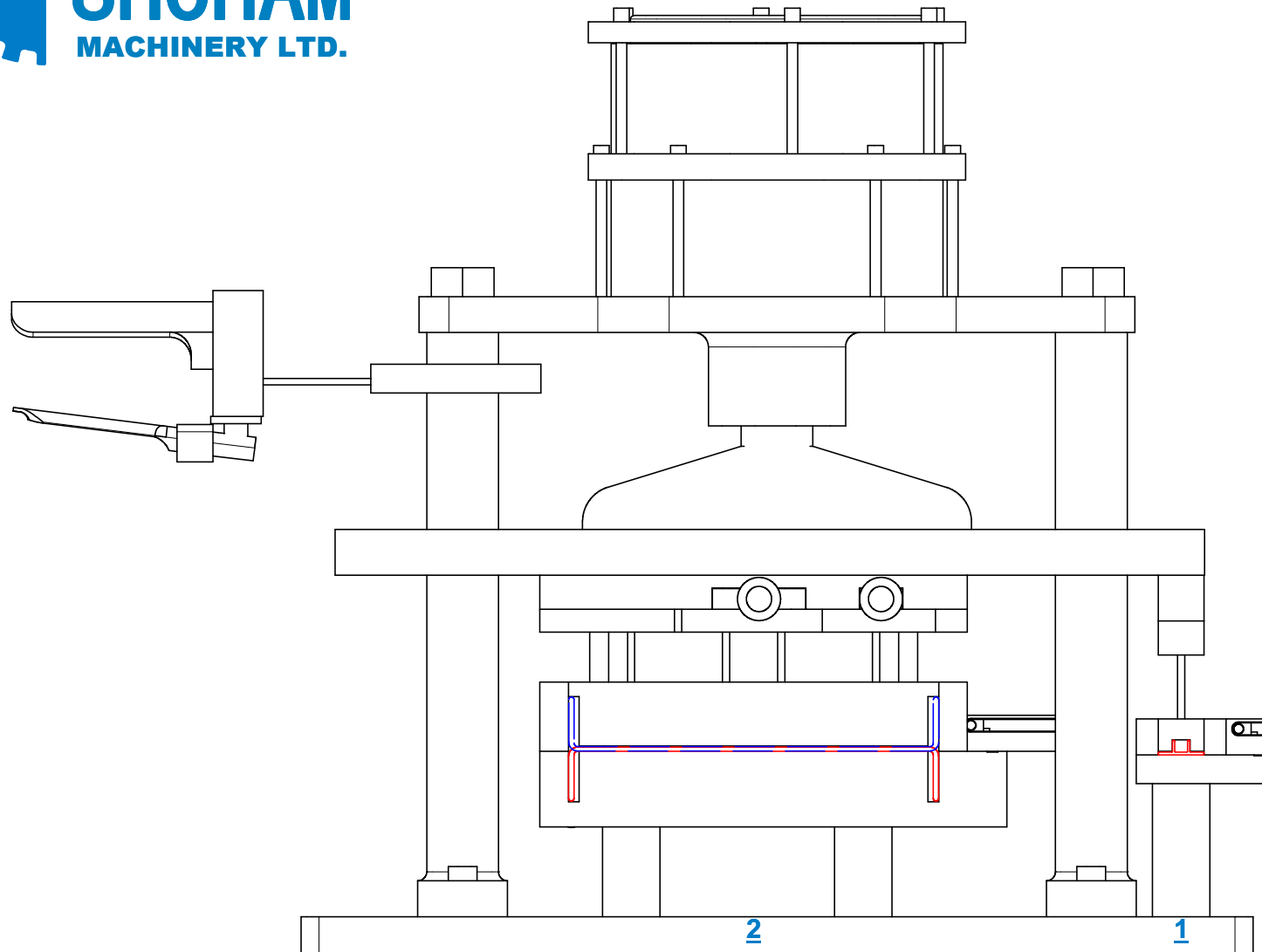


STOPPER "A" - FOR CANCELLATION OF THE HOLE DIA. 5.5 MM
STOPPER "B" - FOR CANCELLATION OF THE 2 HOLES DIA. 5.5 MM
STOPPER "C" - FOR CANCELLATION OF THE 2 HOLES DIA. 10.5 MM
STOPPER "D" - FOR CANCELLATION OF THE HOLE DIA. 5.5 MM
STOPPER "E" - FOR CANCELLATION OF THE 2 HOLES DIA. 10.5 MM

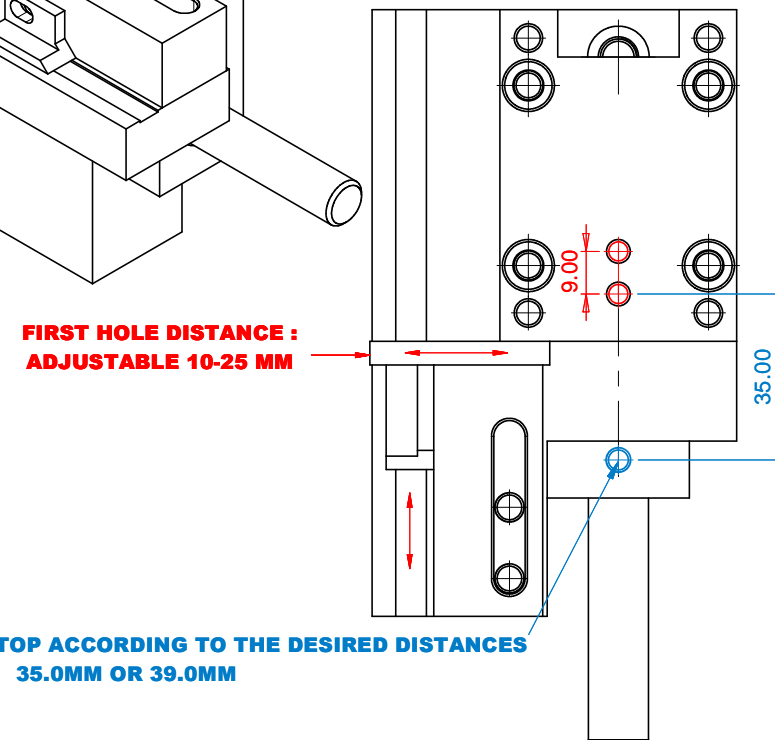
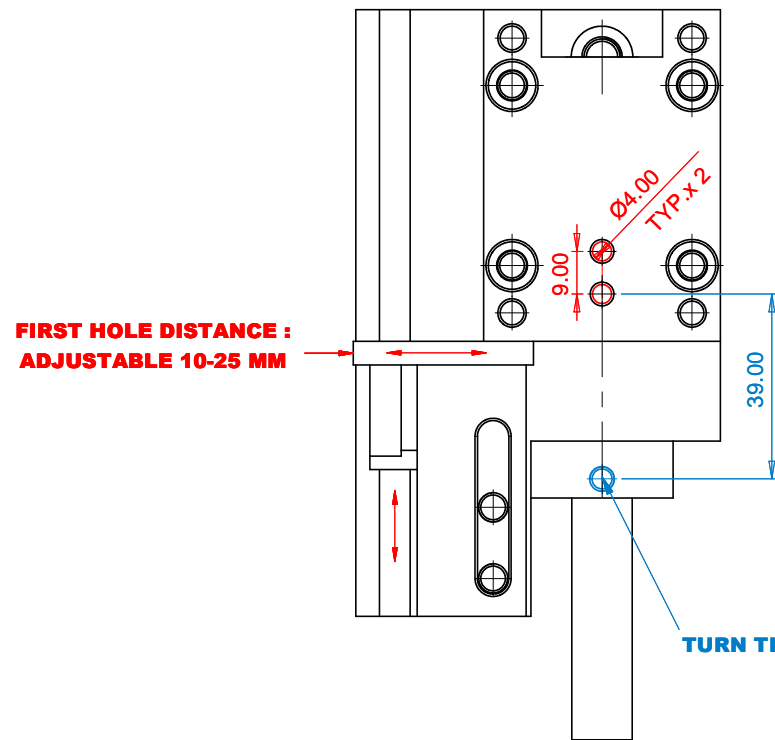
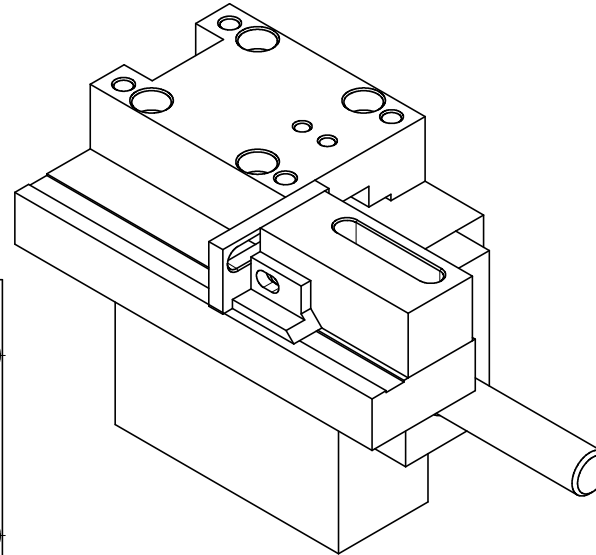
9

120518



Model LOUVER ARMS

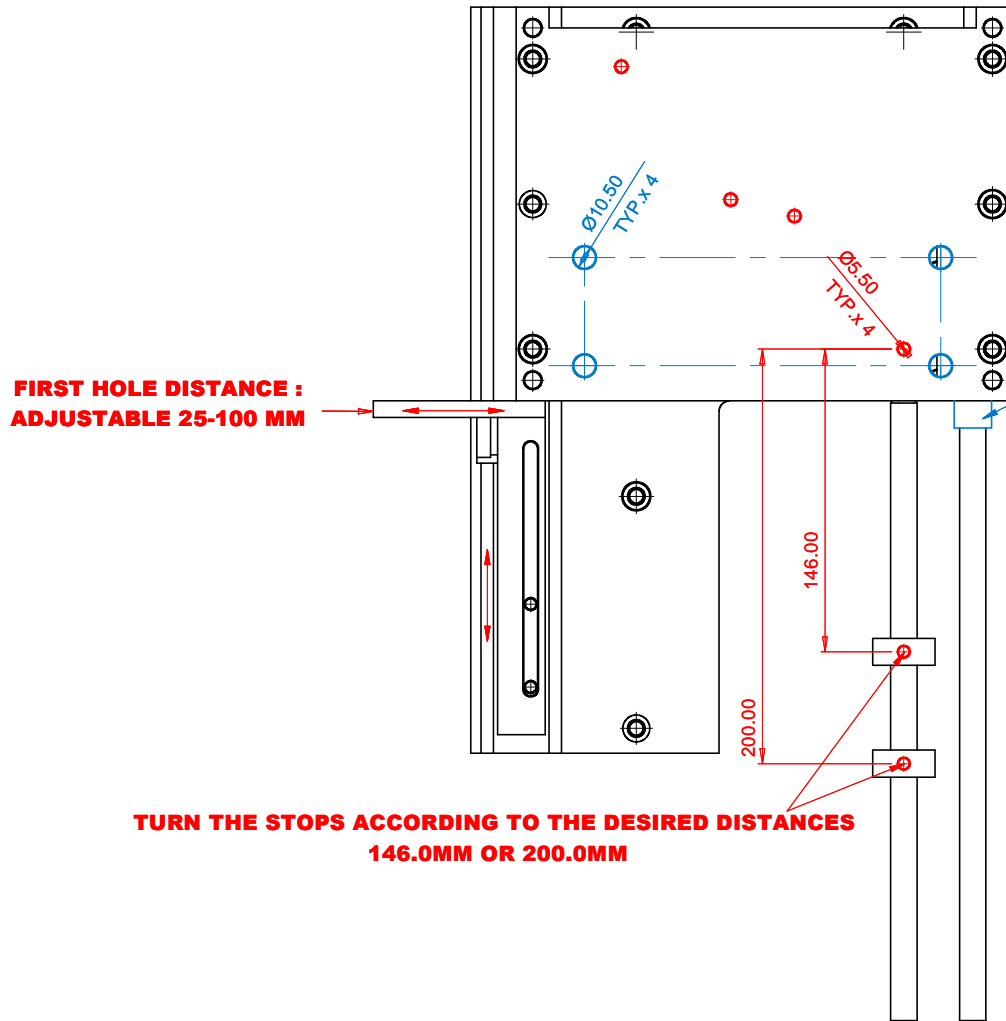
Station no.1



**TURN THE TWO-SIDED STOP ACCORDING TO THE DESIRED DISTANCES
35.0MM OR 39.0MM**

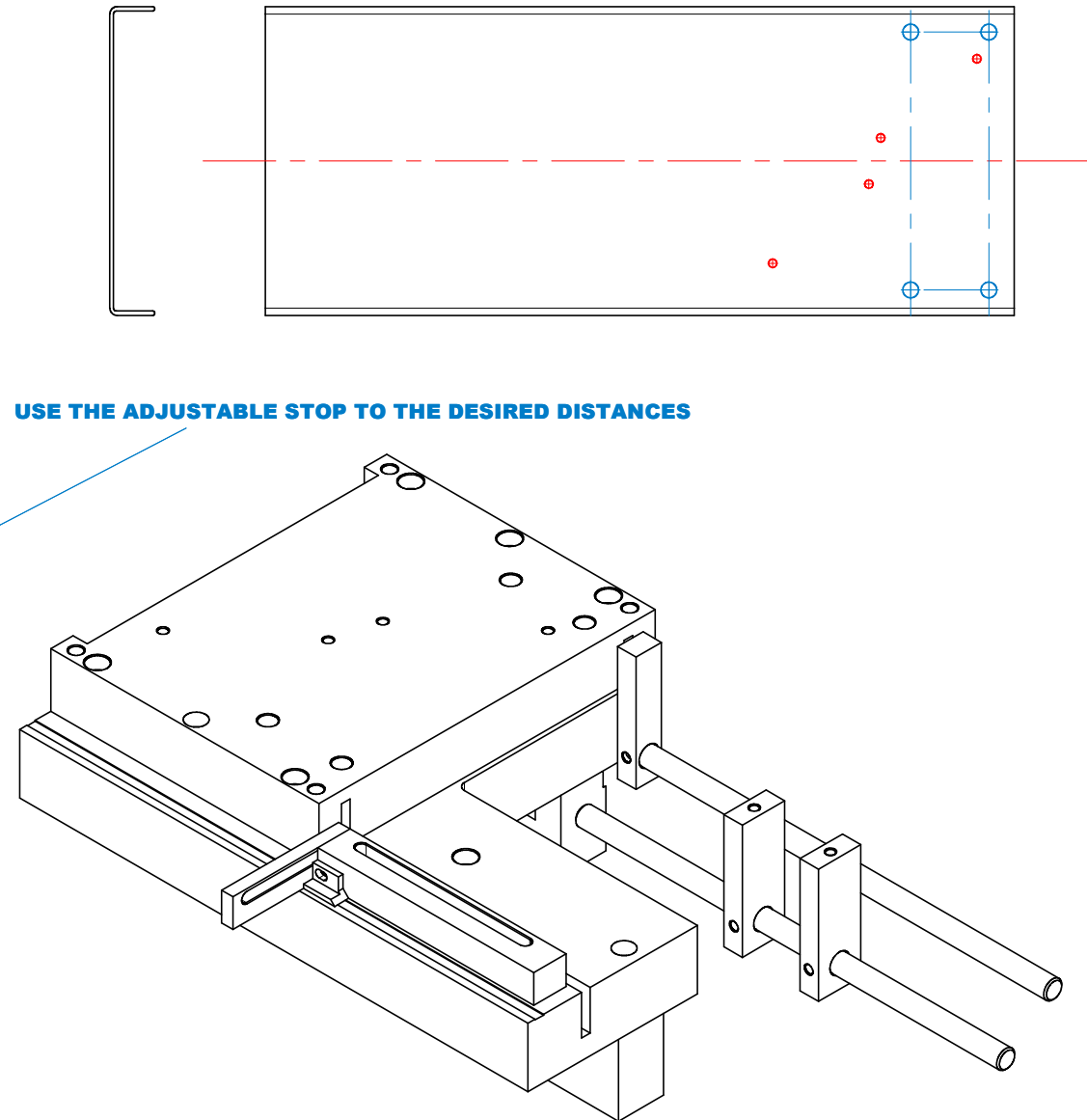
11

120518



**FIRST HOLE DISTANCE :
ADJUSTABLE 25-100 MM**

**TURN THE STOPS ACCORDING TO THE DESIRED DISTANCES
146.0MM OR 200.0MM**



USE THE ADJUSTABLE STOP TO THE DESIRED DISTANCES