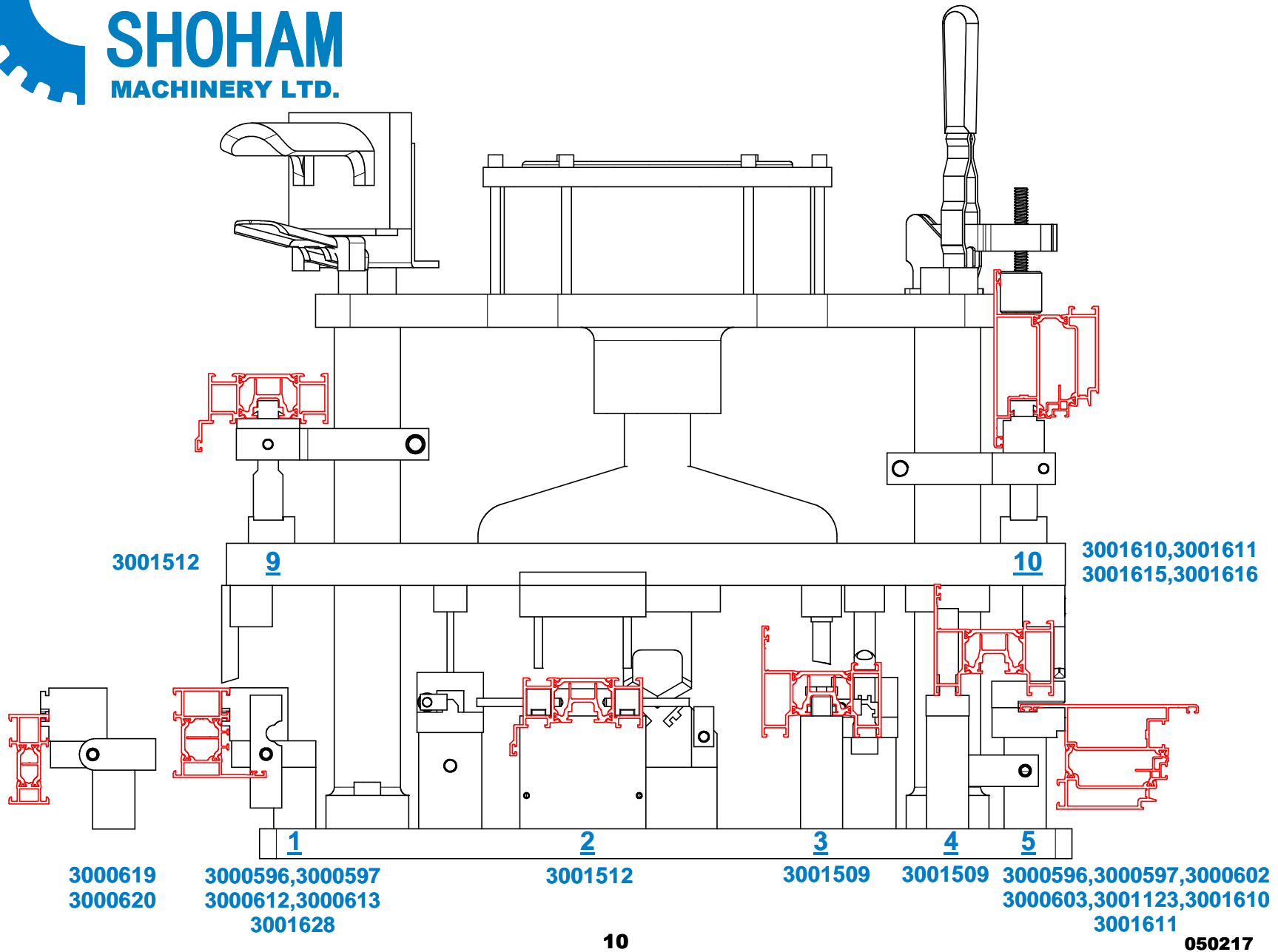


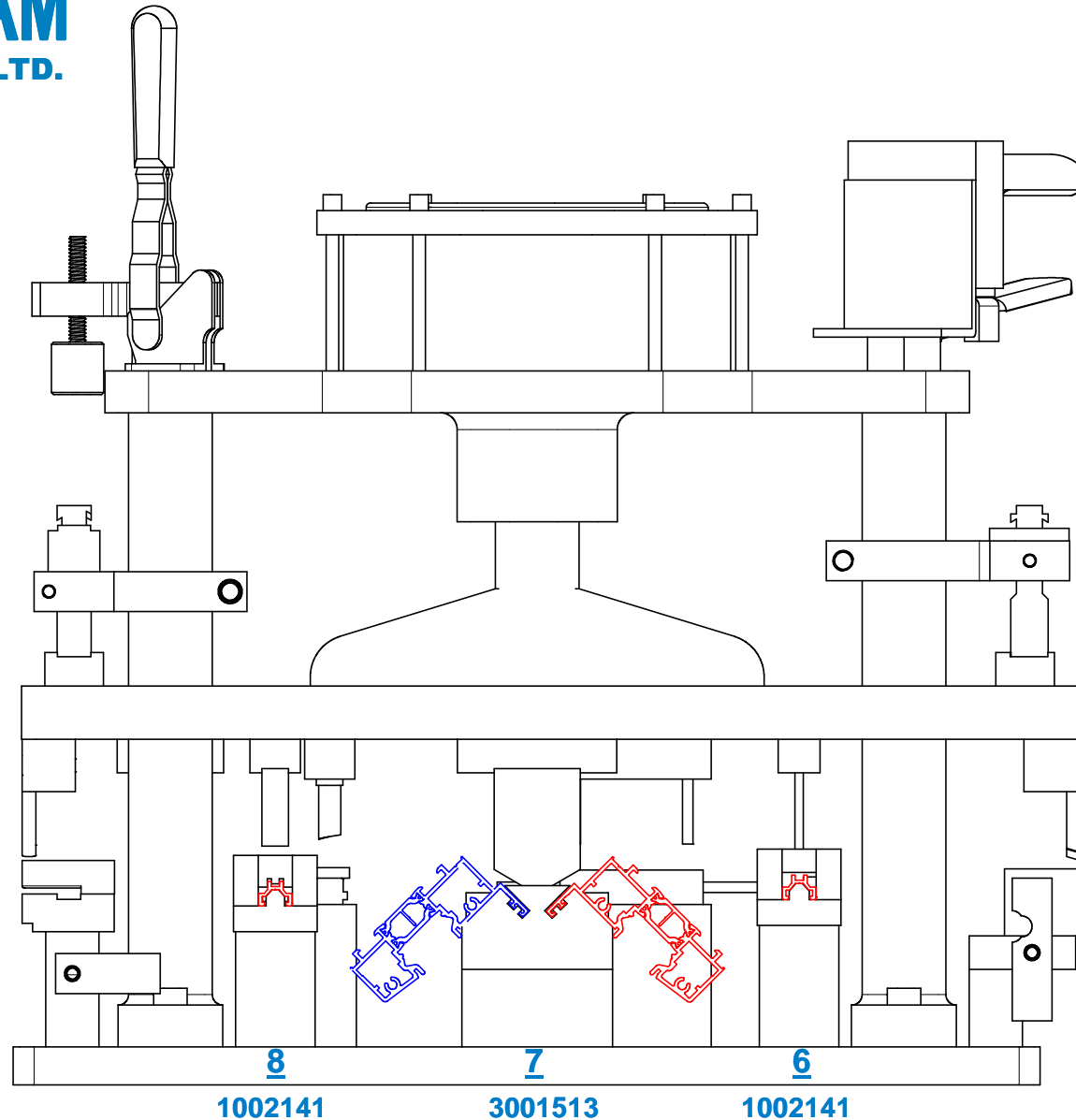
050217

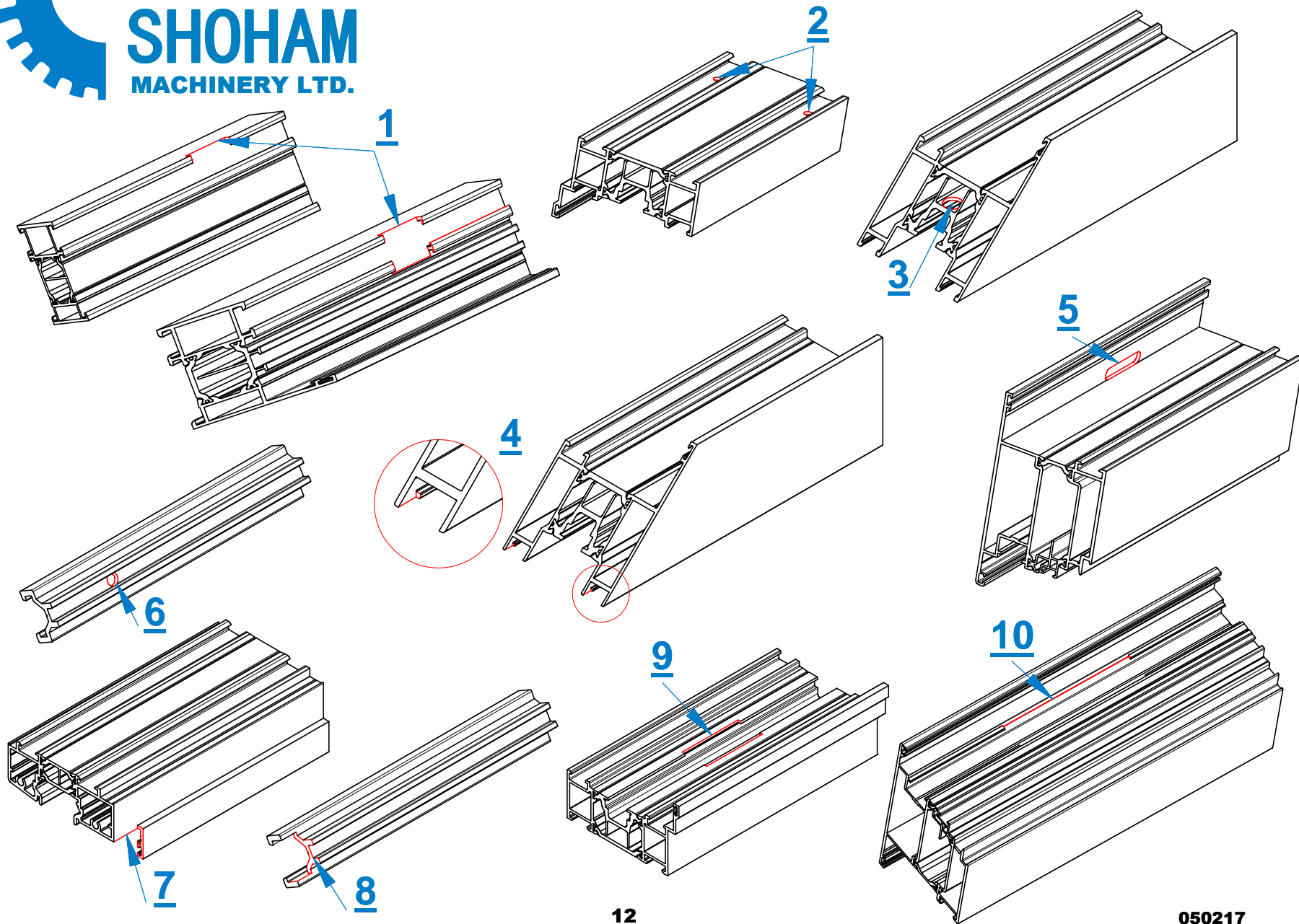


SHOHAM
MACHINERY LTD.

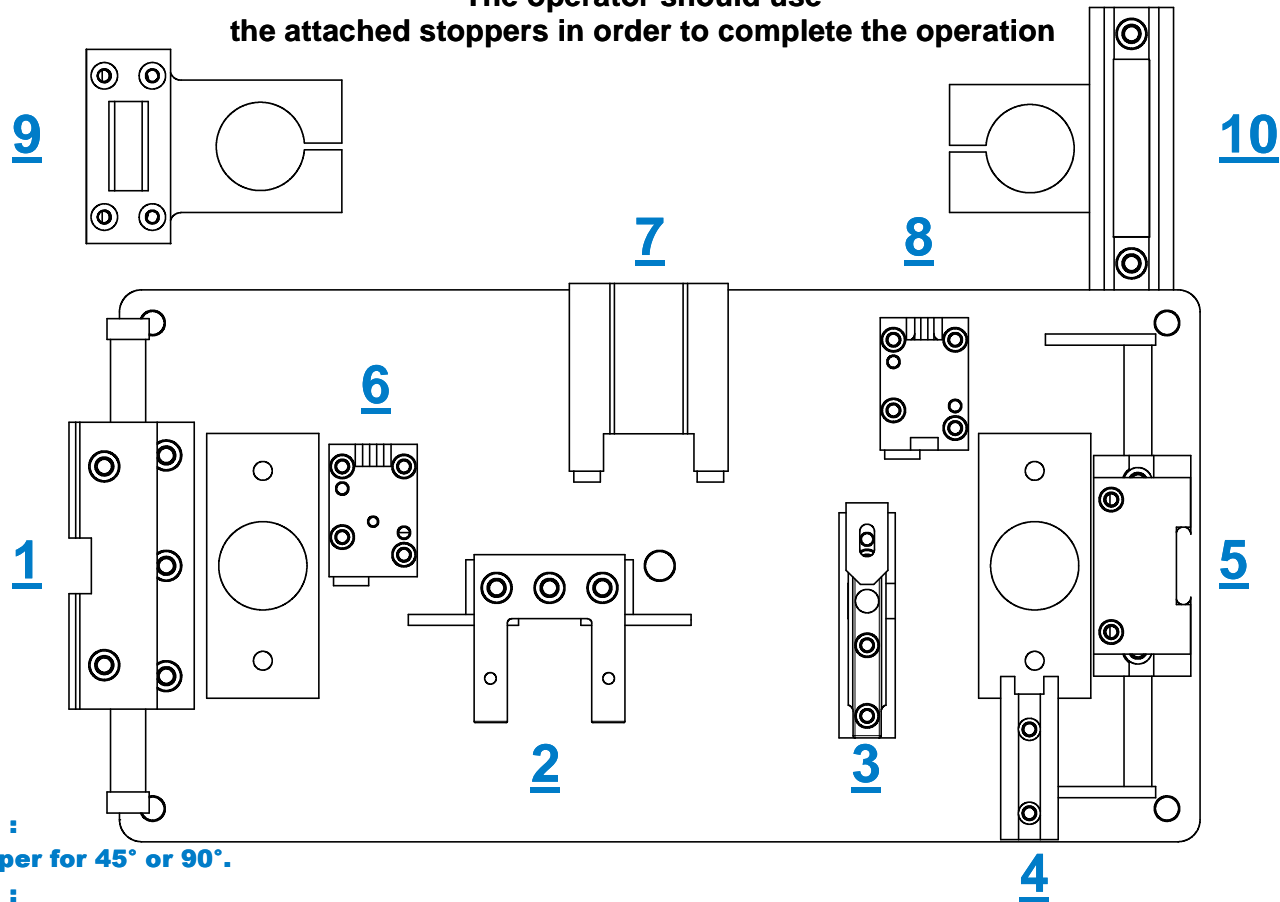
Model Kawneer 9000531







The operator should use
the attached stoppers in order to complete the operation



Station no. 1 :

Flip the stopper for 45° or 90°.

Station no. 7 :

Punch twice for a clean cut (3/4 way + 1/4 way).

Station no. 8 :

Punch twice for a clean cut (all the way two times).

Station no. 10 :

To allow a continuous operation, keep the profile clamped all along the punching process.