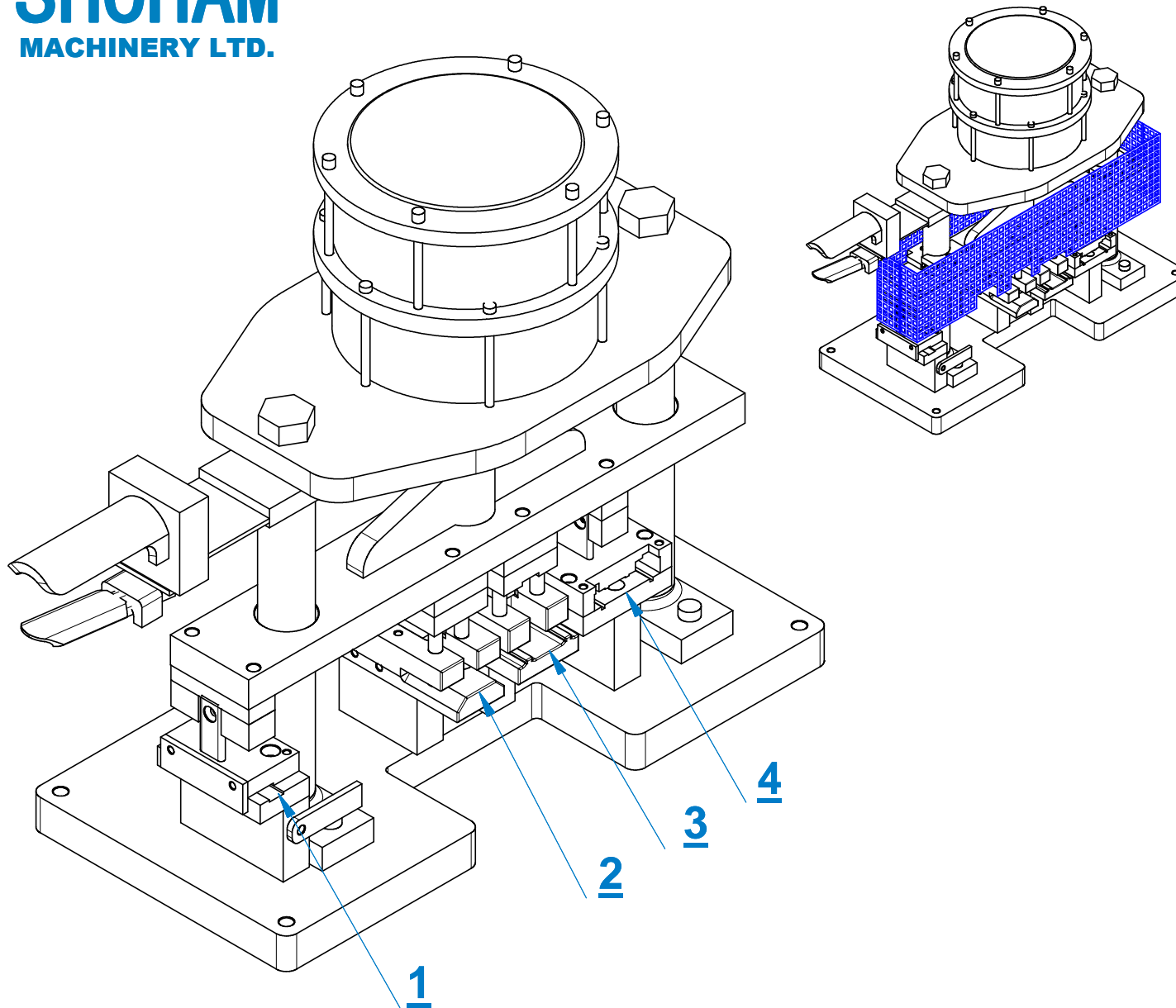
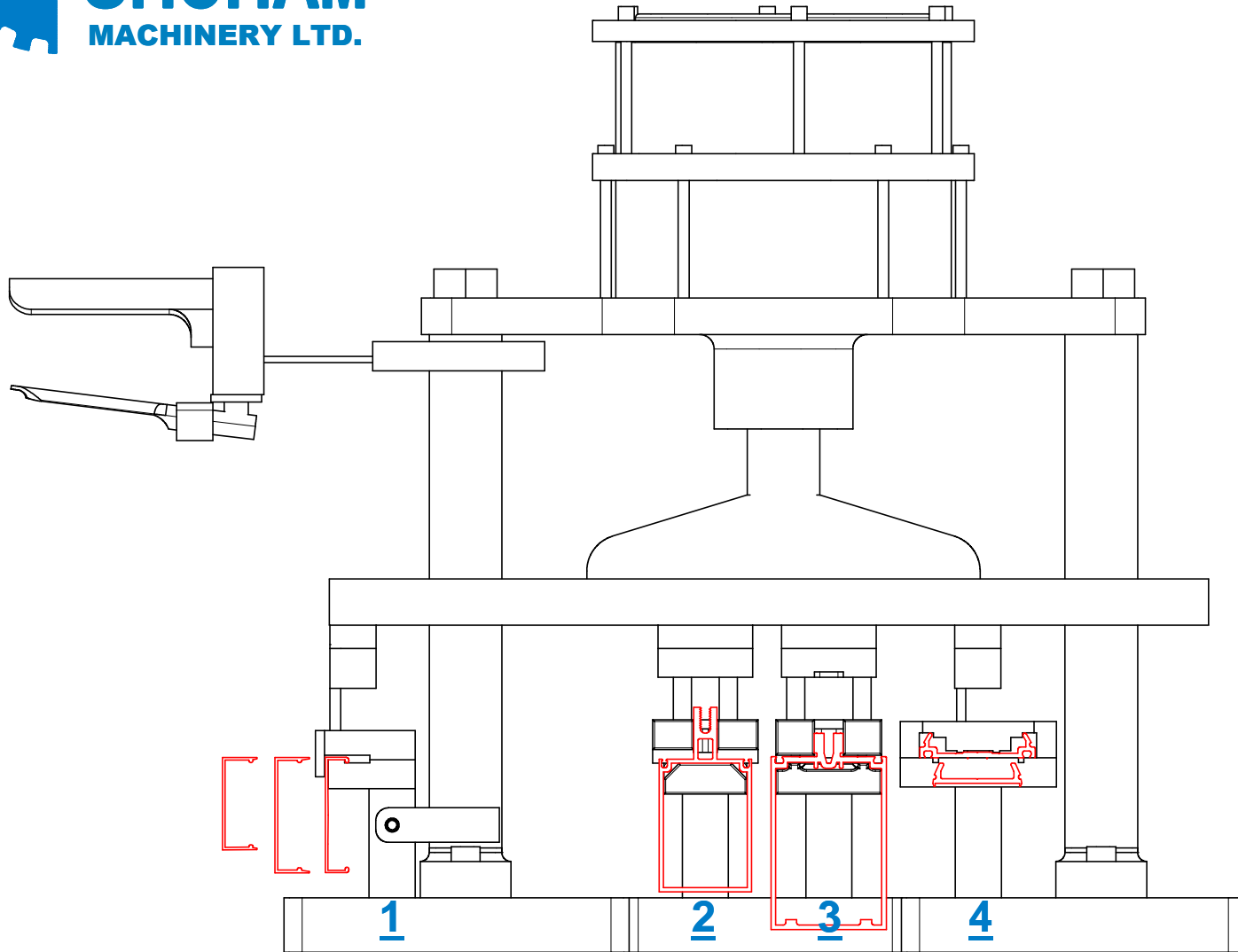


Pneumatic press Model Kawneer K-401 for series 1600&1600UT&1602

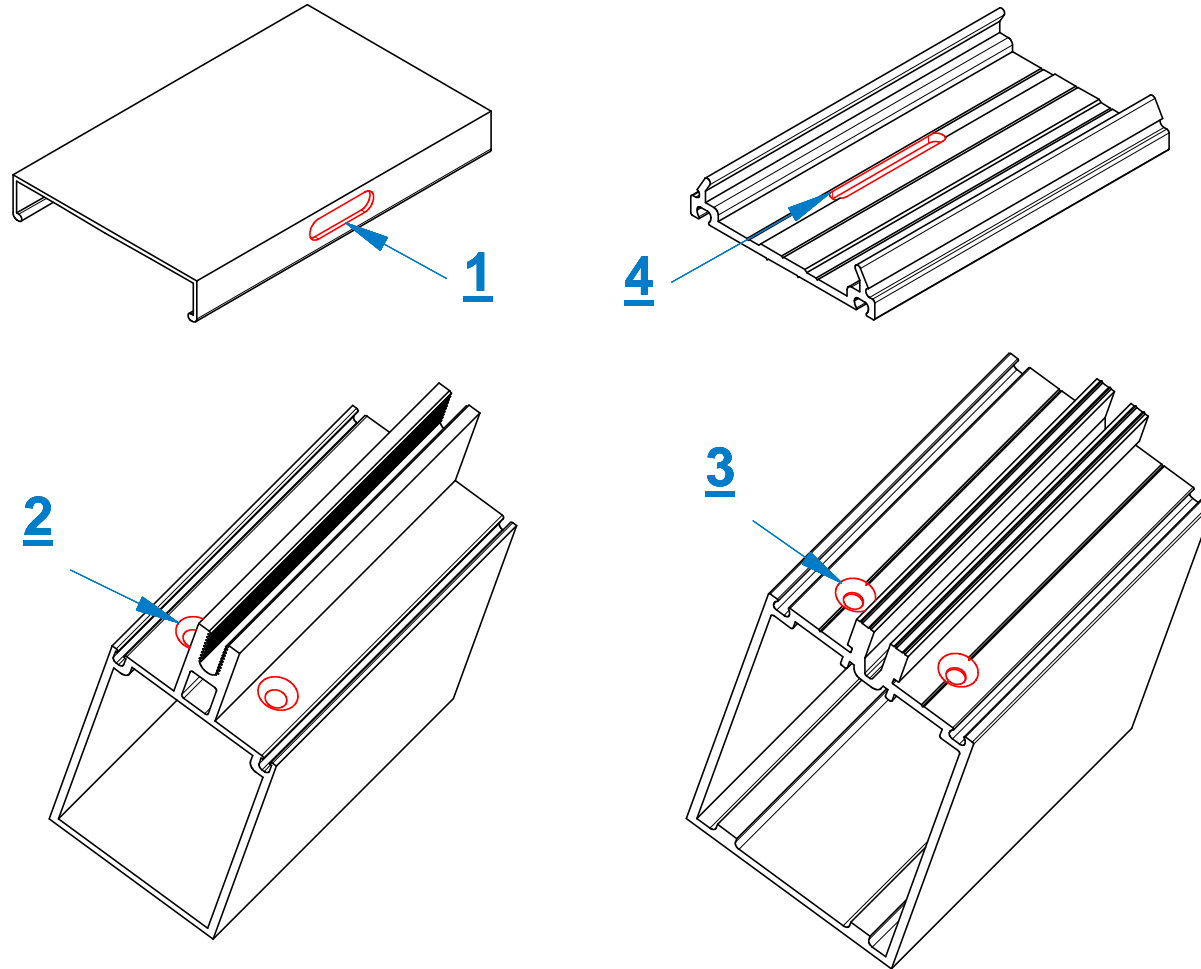


230916

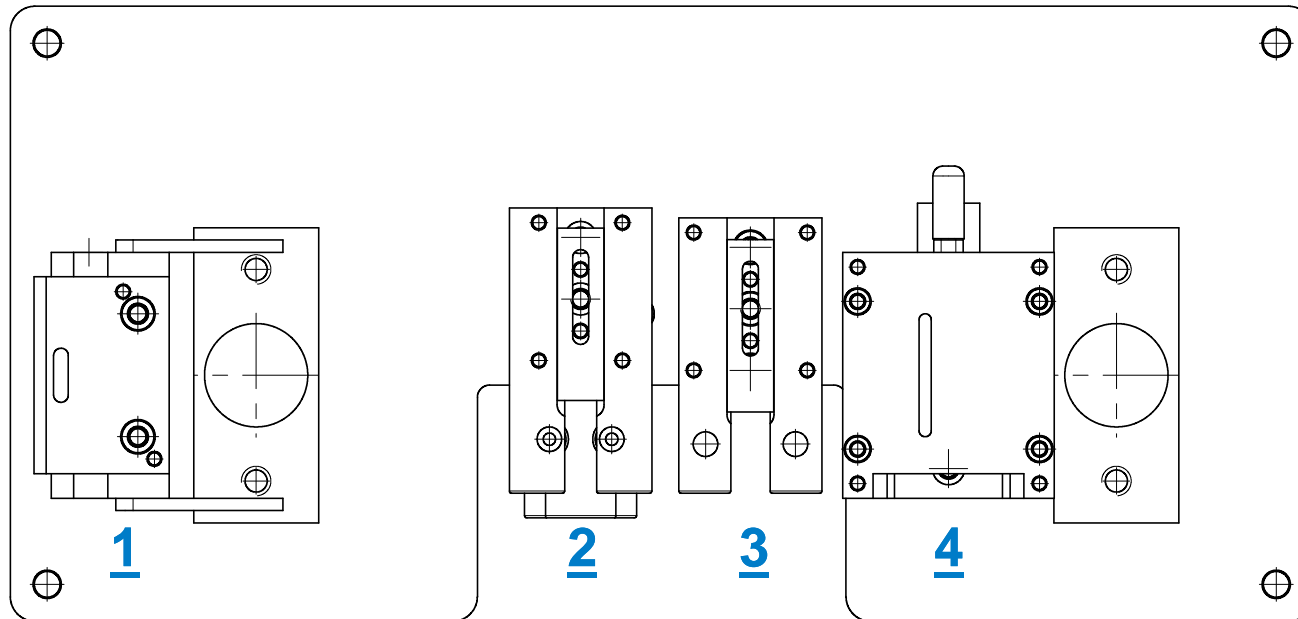
Model Kawneer K-401
for series 1600&1600UT&1602



230916



Model Kawneer K-401
for series 1600&1600UT&1602



STATION	SERIAL	DESCRIPTION
1	K401-1	Kawneer Cap drainage slot 6x22mm for 1600&1600UT&1602 series
2	K401-2	Kawneer Mullion end-punch including csk for 1602 series
3	K401-3	Kawneer Mullion end-punch including csk for 1600&1600UT series
4	K401-4	Kawneer Pressure Plate drainage slot 6.5x50mm for 1600&1600UT&1602 series

230916