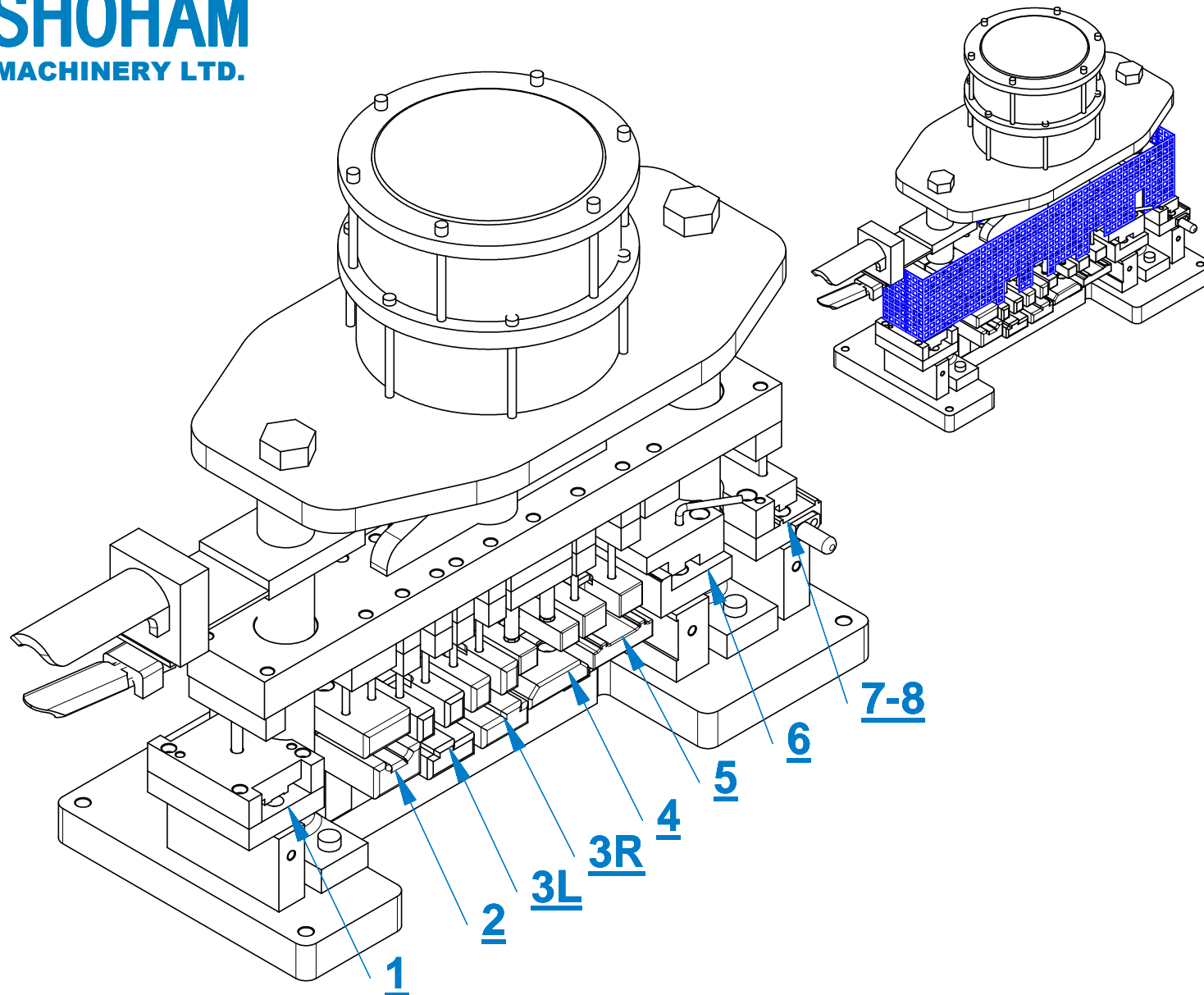
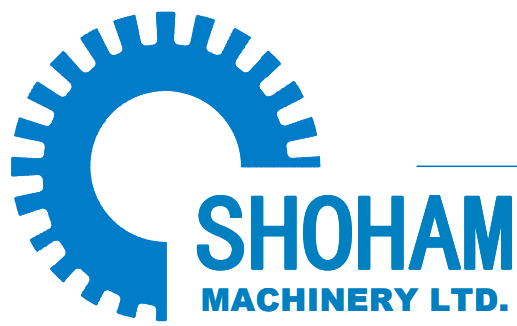


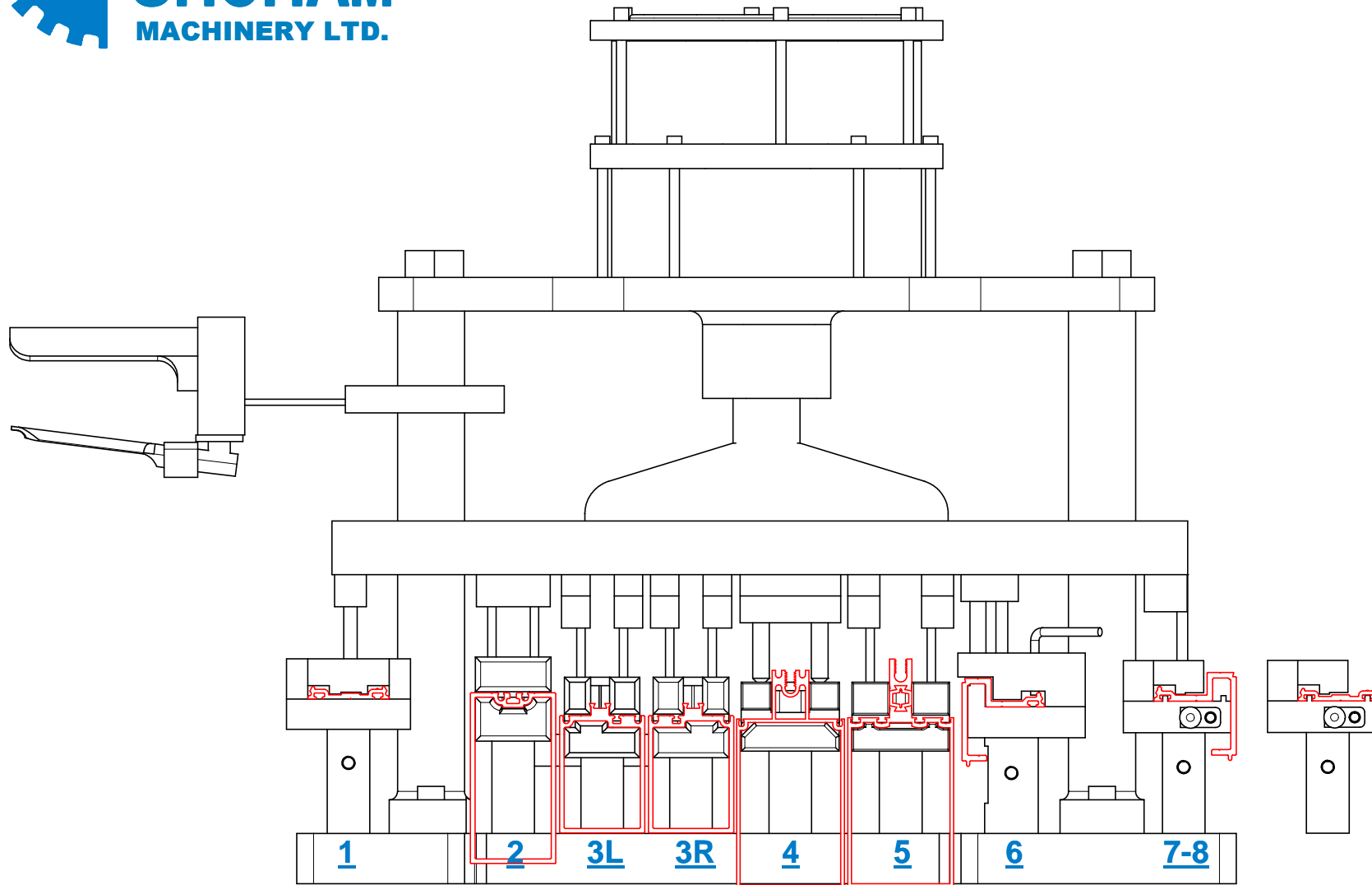
Pneumatic press Model Alumicor AL-605 for series 2200TW&2500&2600



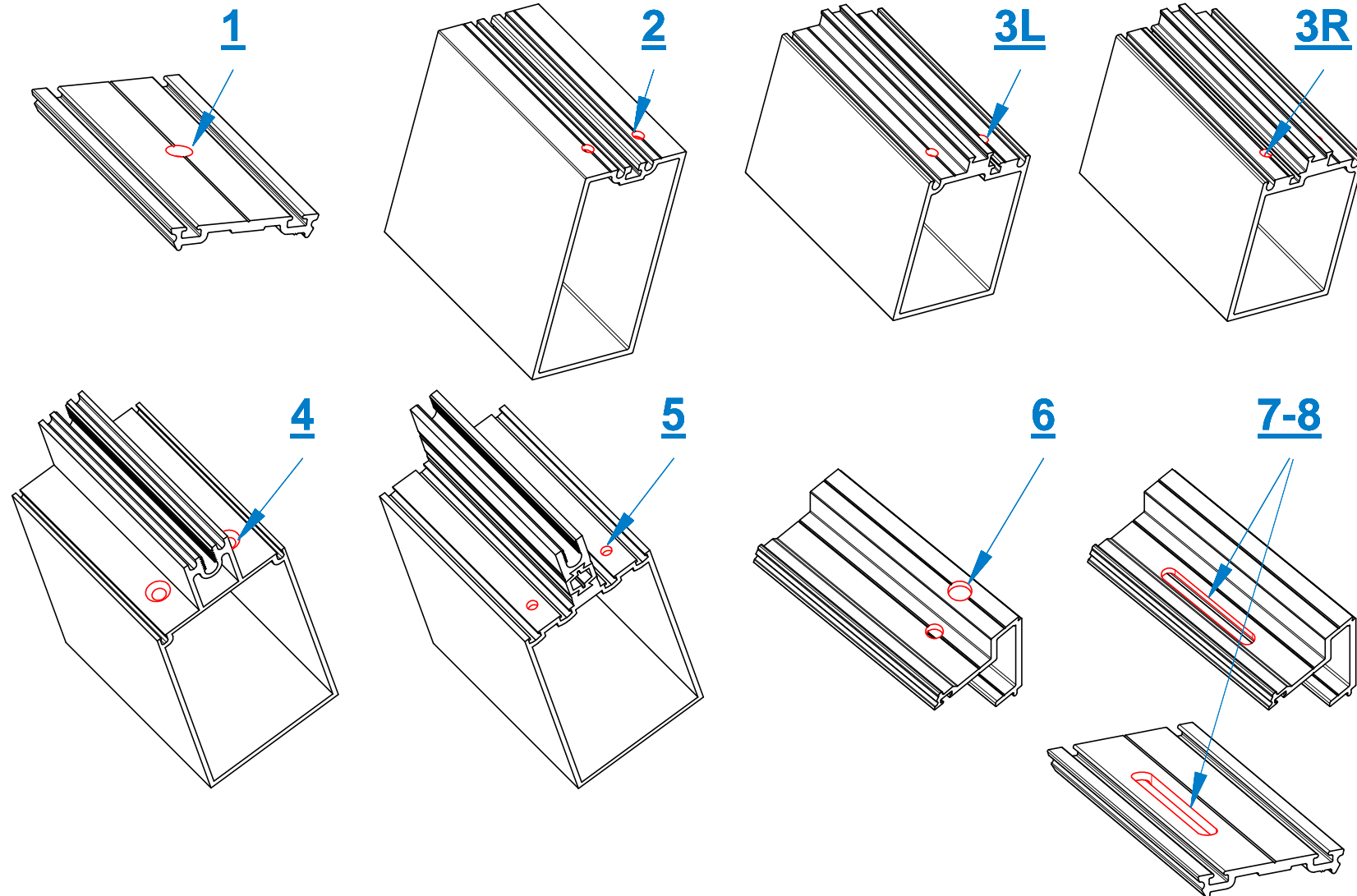
050618



Model Alumicor AL-605 for series 2200TW&2500&2600

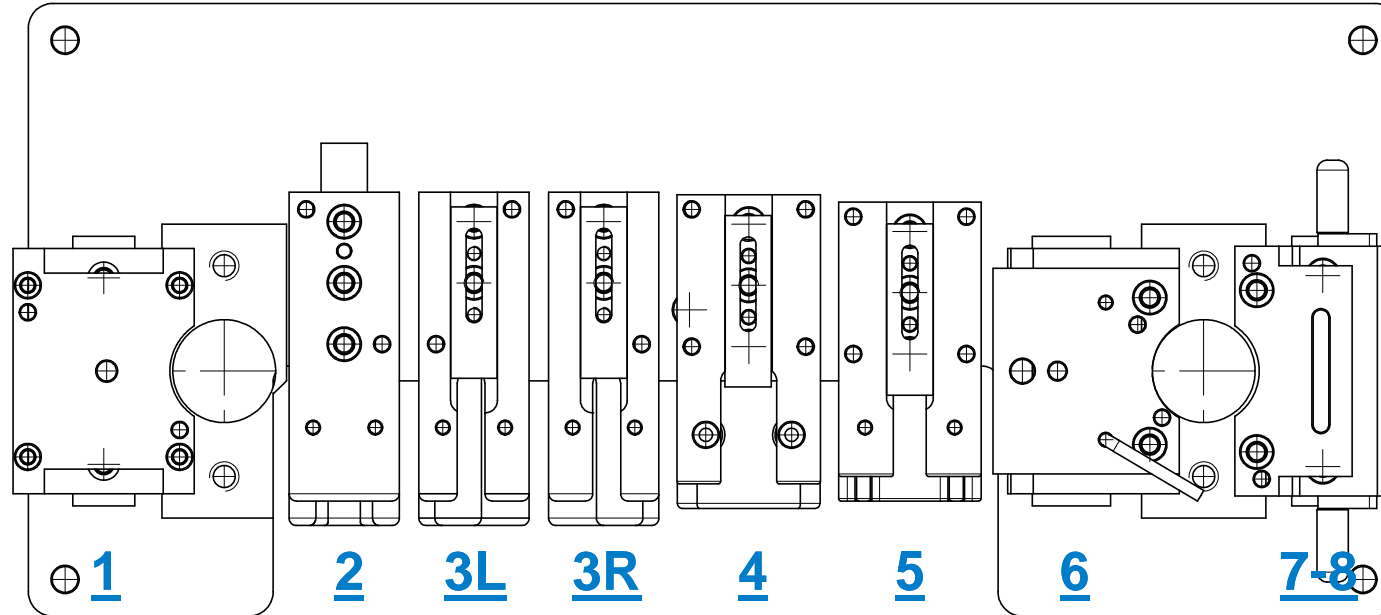


050618



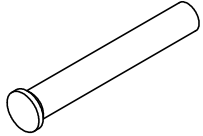
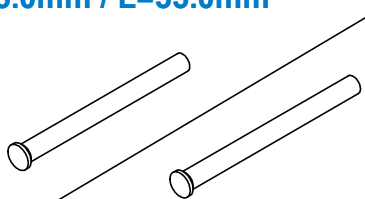
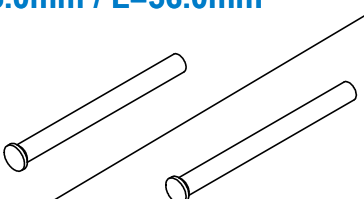
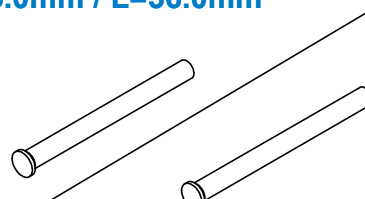
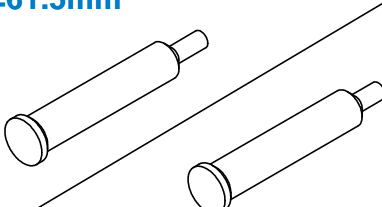
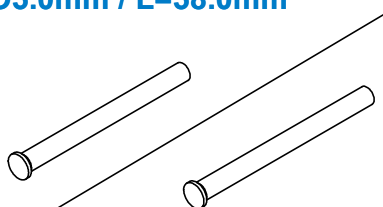
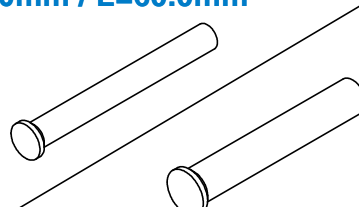
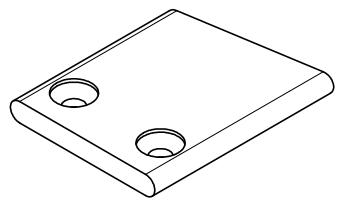
050618

Model Alumicor AL-605 for series 2200TW&2500&2600



STATION	SERIAL	DESCRIPTION
1	AL605-1	Alumicor Pressure Plate hole 8mm for 2200TW series
2	AL605-2	Alumicor SSG Mullion end-punch without csk for 2200TW series
3L	AL605-3L	Alumicor CAPPED Mullion end-punch without csk for 2200TW series
3R	AL605-3R	Alumicor CAPPED Mullion end-punch without csk for 2200TW series
4	AL605-4	Alumicor Mullion end-punch including csk for 2500 series
5	AL605-5	Alumicor Mullion end-punch without csk for 2600 series
6	AL605-6	Alumicor FLUSH DOOR ADAPTOR hole 7mm and hole 9.5mm for 2200TW series
7-8	AL605-7-8	Alumicor FLUSH DOOR ADAPTOR drainage slot 6.35x50mm for 2200TW series
7-8	AL604-7-8	Alumicor Pressure Plate drainage slot 6.35x50mm for 2200TW series

050618

<p>Cutter: AL605-K01-5 Ø8.0mm / L=54.0mm</p>  <p>1</p> <p style="writing-mode: vertical-rl; transform: rotate(180deg);">STATION No.1</p>	<p>Cutter: AL605-K02-7 Ø5.0mm / L=55.0mm</p>  <p>2</p> <p>Cutter: AL605-K02-8 Ø5.0mm / L=60.0mm</p> <p style="writing-mode: vertical-rl; transform: rotate(180deg);">STATION No.2</p>	<p>Cutter: AL605-K03-7L Ø5.0mm / L=56.0mm</p>  <p>3</p> <p>Cutter: AL605-K03-8L Ø5.0mm / L=62.0mm</p> <p style="writing-mode: vertical-rl; transform: rotate(180deg);">STATION No.3L</p>	<p>Cutter: AL605-K03-7R Ø5.0mm / L=56.0mm</p>  <p>4</p> <p>Cutter: AL605-K03-8R Ø5.0mm / L=62.0mm</p> <p style="writing-mode: vertical-rl; transform: rotate(180deg);">STATION No.3R</p>
<p>Cutter: AL605-K04-5 L=61.5mm</p>  <p>5</p> <p>Cutter: AL605-K04-6 L=59.5mm</p> <p style="writing-mode: vertical-rl; transform: rotate(180deg);">STATION No.4</p>	<p>Cutter: AL605-K05-7 Ø5.0mm / L=58.0mm</p>  <p>6</p> <p>Cutter: AL605-K05-8 Ø5.0mm / L=62.0mm</p> <p style="writing-mode: vertical-rl; transform: rotate(180deg);">STATION No.5</p>	<p>Cutter: AL605-K06-5 Ø7.0mm / L=60.0mm</p>  <p>7</p> <p>Cutter: AL605-K06-6 Ø9.5mm / L=48.0mm</p> <p style="writing-mode: vertical-rl; transform: rotate(180deg);">STATION No.6</p>	<p>Cutter: AL605-K07-5</p>  <p>8</p> <p style="writing-mode: vertical-rl; transform: rotate(180deg);">STATION No.7-8</p>

050618