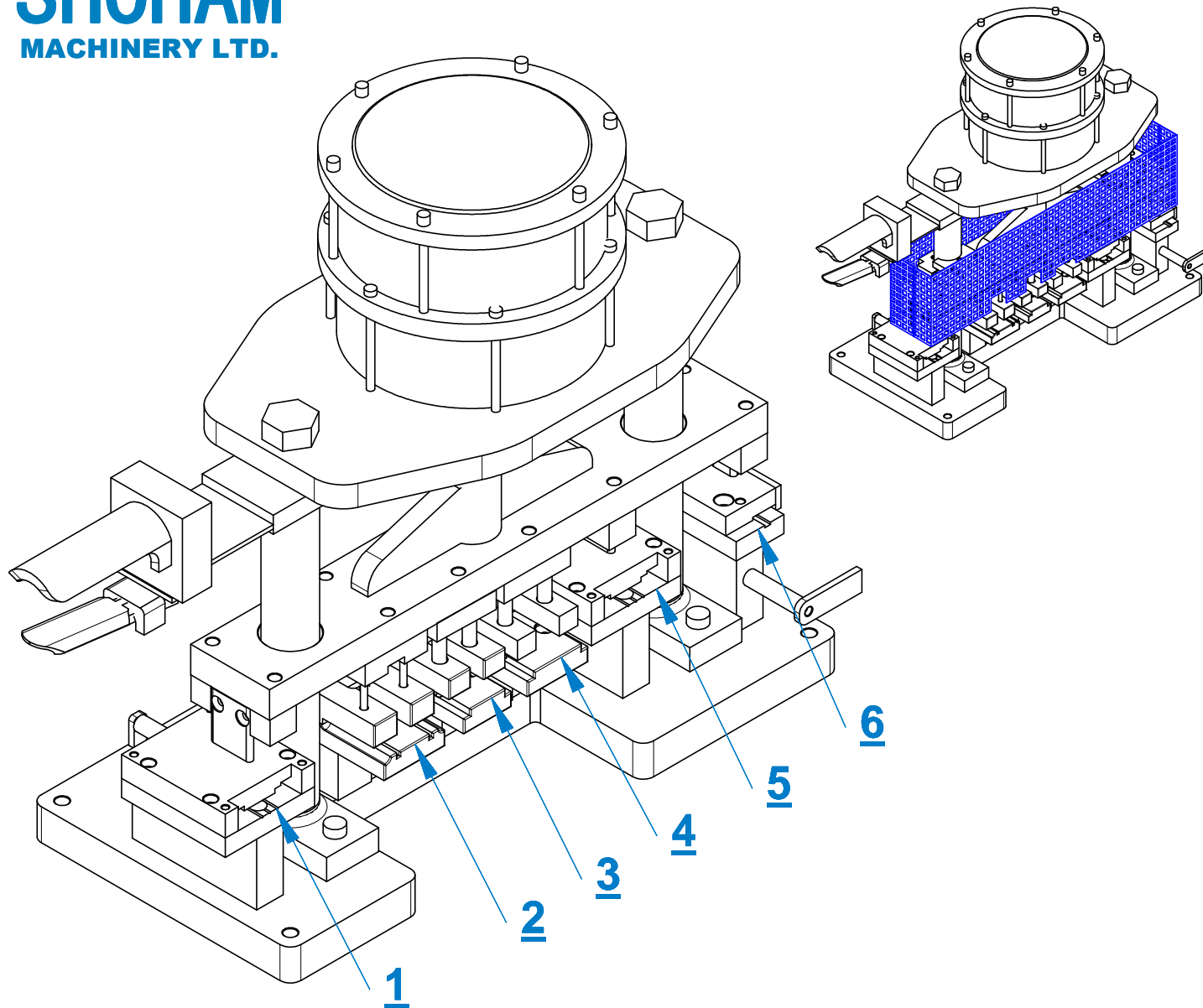
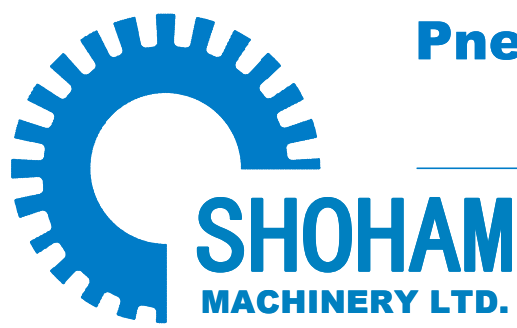


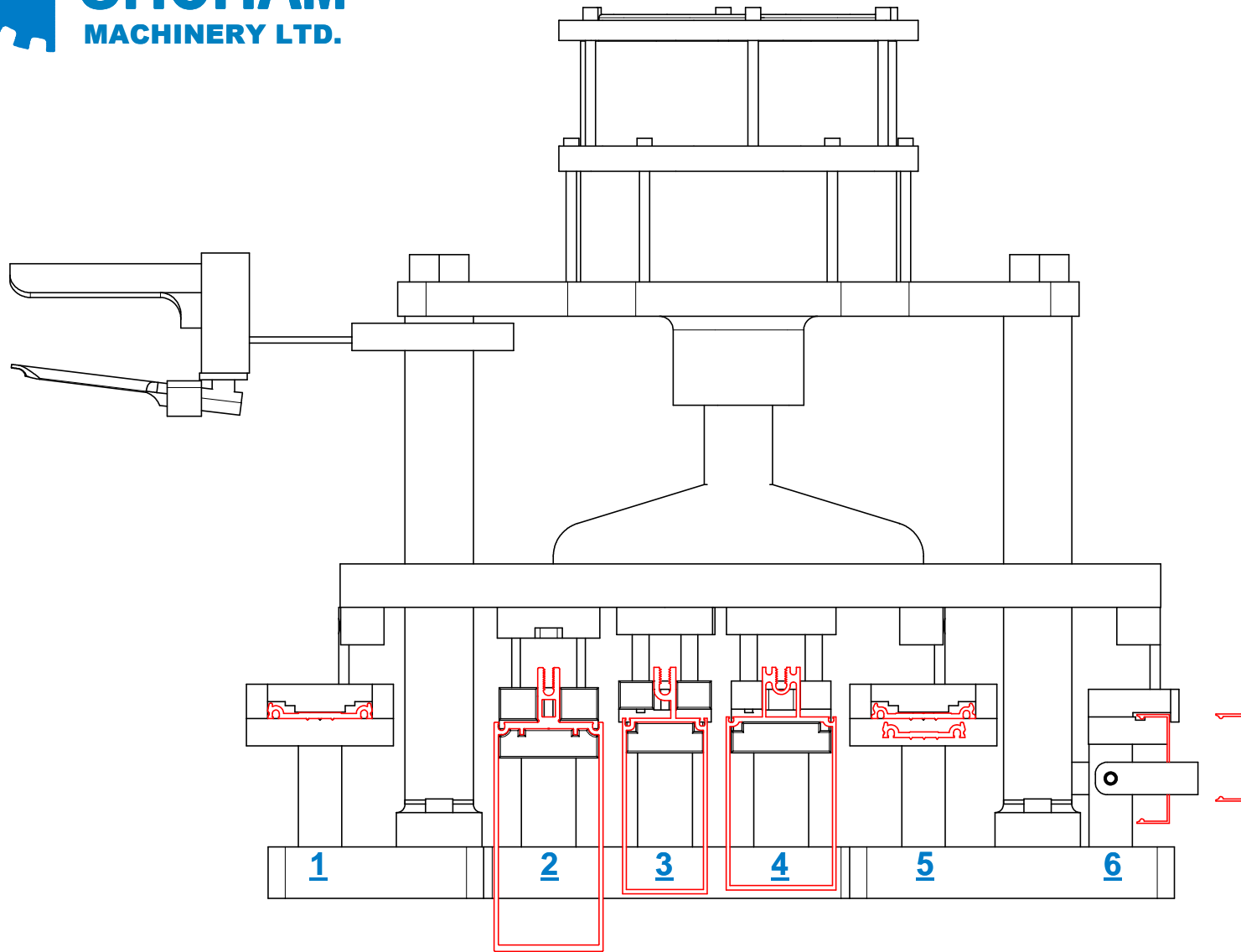
Pneumatic Press Model Commdoor CM-602 for series 5000&6000&8000



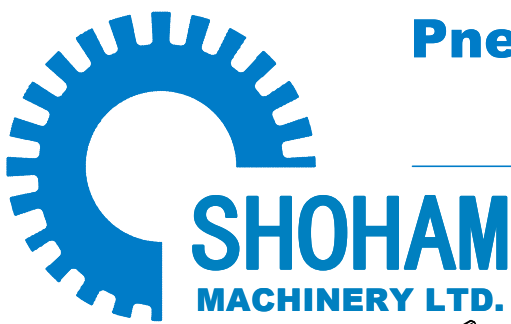
170114



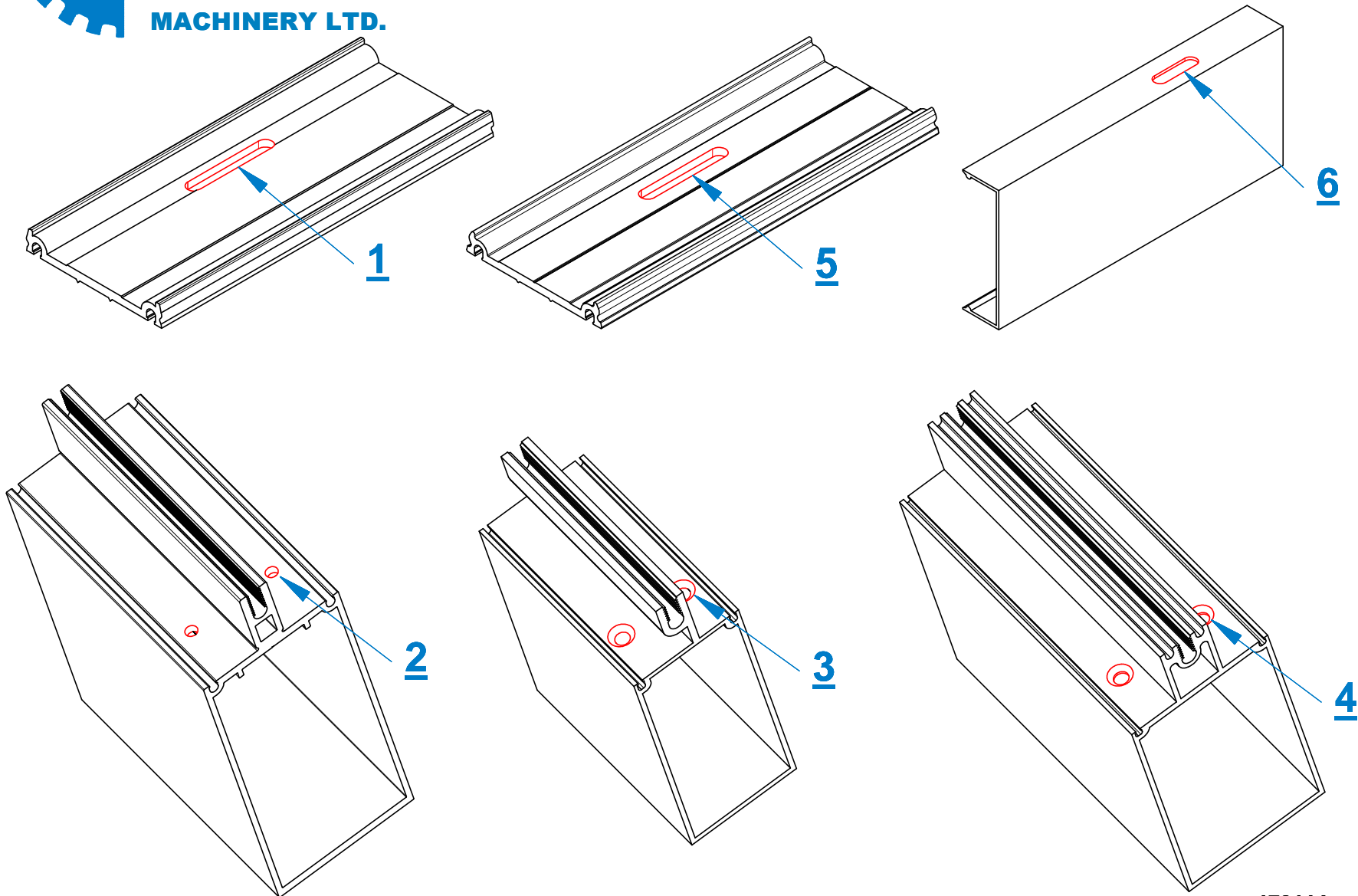
Pneumatic Press Model Commdoor CM-602 for series 5000&6000&8000



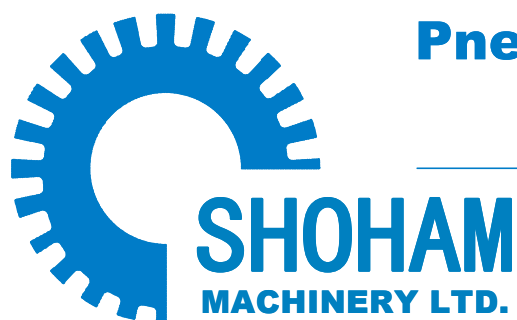
170114



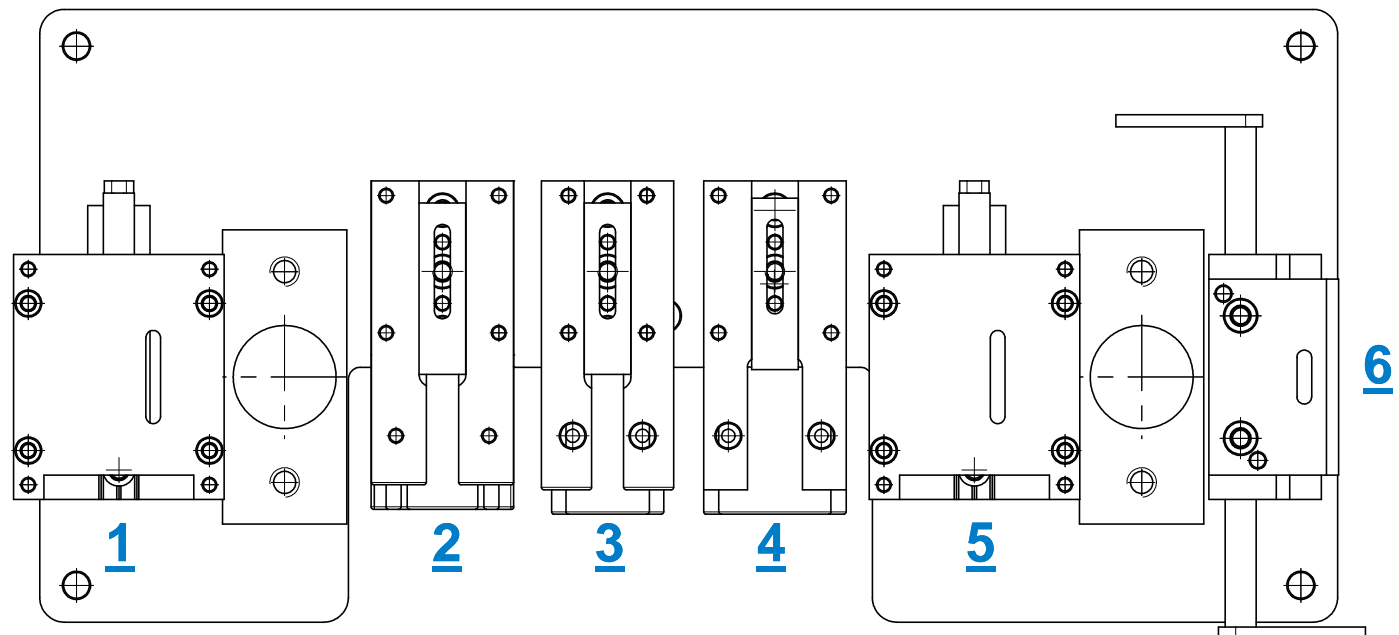
Pneumatic Press Model Commdoor CM-602 for series 5000&6000&8000



170114



Pneumatic Press Model Commdoor CM-602 for series 5000&6000&8000



STATION	SERIAL	DESCRIPTION
1	CM1003	Commdoor Pressure Plate drainage slot 6x38mm for 6000 series
2	CM1006	Commdoor Mullion end-punch without csk for 8000 series
3	CM1004	Commdoor Mullion end-punch including csk for 5000 series
4	CM1005	Commdoor Mullion end-punch including csk for 6000 series
5	CM1002	Commdoor Pressure Plate drainage slot 6x38mm for 5000&8000 series
6	CM1001	Commdoor Cap drainage slot 6x22mm for 5000&6000&8000 series

170114