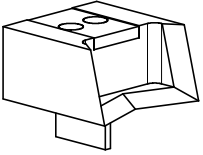
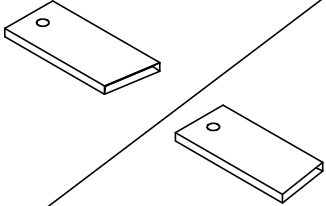
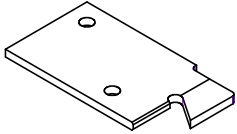
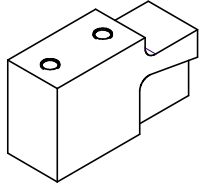
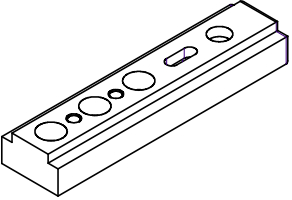
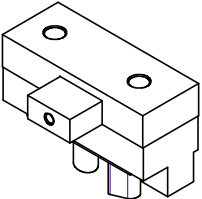
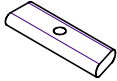
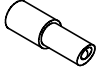
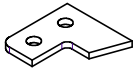
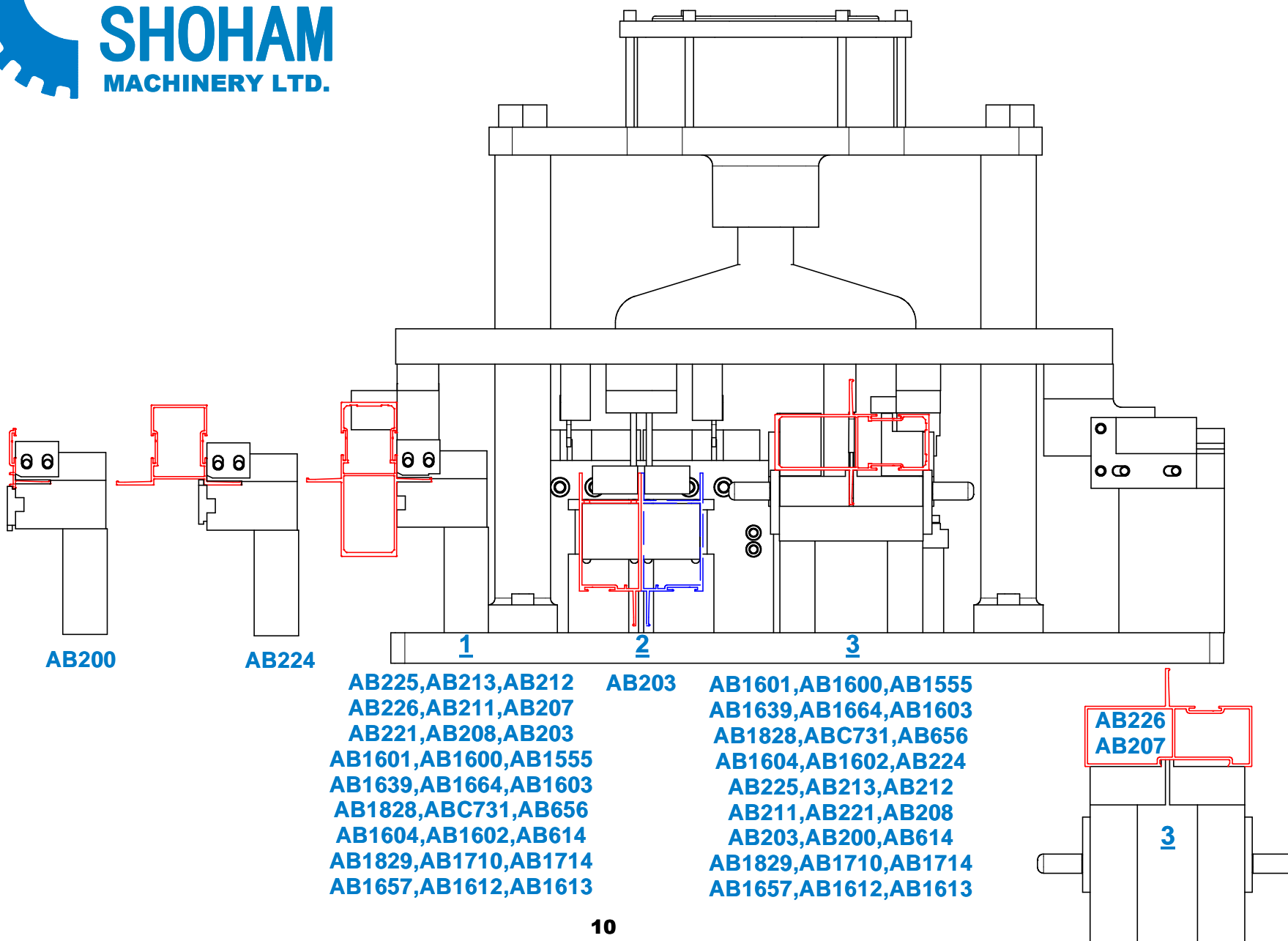
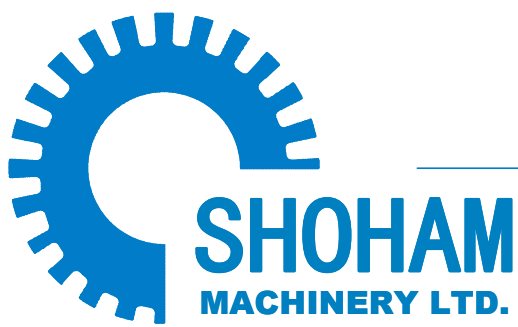
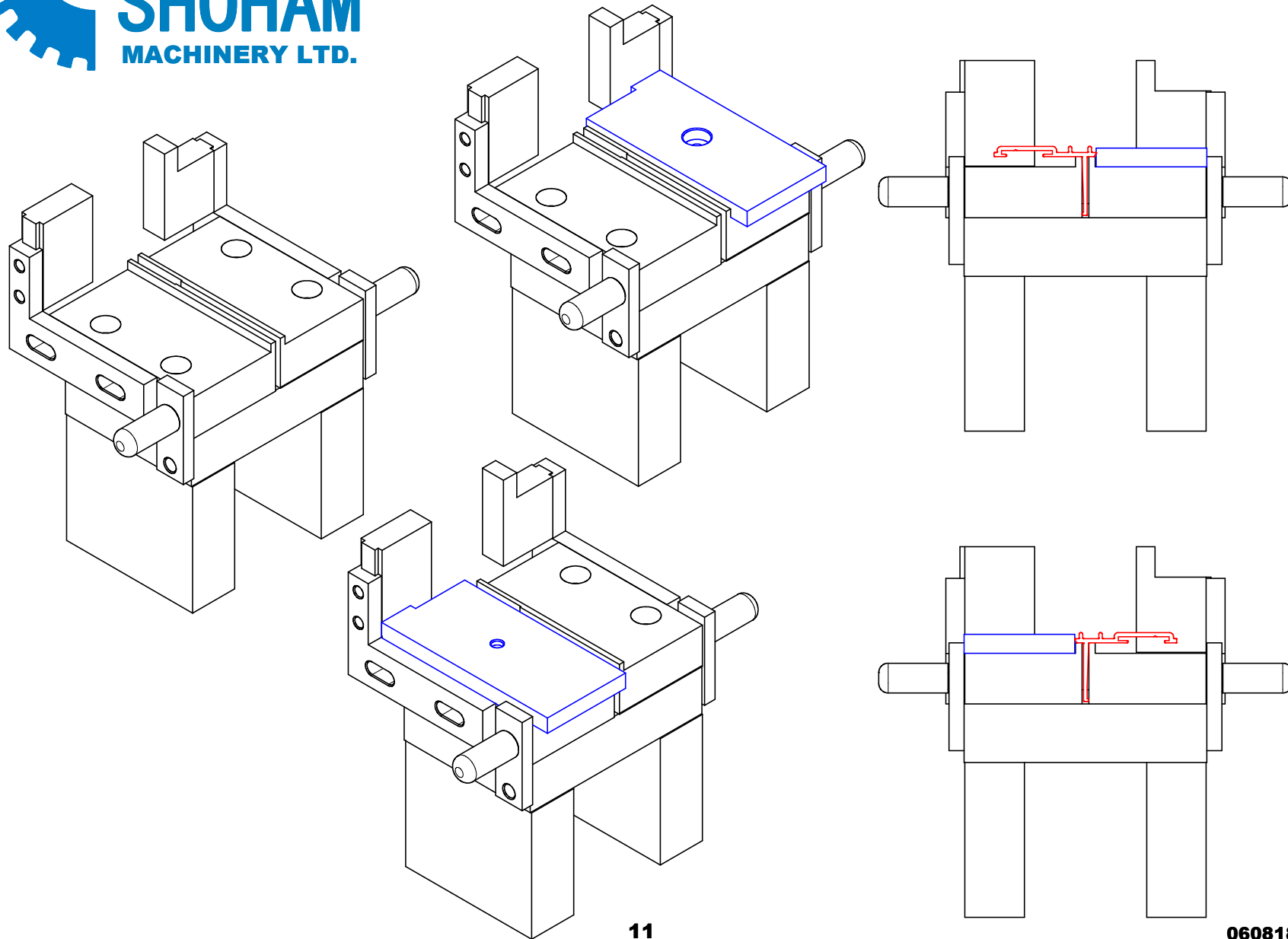


<p>Cutter: HWW027-K01-6</p>  <p><b>1</b></p> <p style="writing-mode: vertical-rl; transform: rotate(180deg);">STATION No.1</p>	<p>Cutter: HWW027-K02-5L</p>  <p><b>2</b></p> <p>Cutter: HWW027-K02-5R</p> <p style="writing-mode: vertical-rl; transform: rotate(180deg);">STATION No.2</p>	<p>Cutter: HWW027-K03-4</p>  <p><b>3</b></p> <p style="writing-mode: vertical-rl; transform: rotate(180deg);">STATION No.3</p>	<p>Cutter: HWW027-K04-5</p>  <p><b>4</b></p> <p style="writing-mode: vertical-rl; transform: rotate(180deg);">STATION No.4</p>
<p>Matrice: HWW027-M05-1</p>  <p><b>5</b></p> <p style="writing-mode: vertical-rl; transform: rotate(180deg);">STATION No.5</p>	<p>Holder with cutters: HWW027-H05-00</p>  <p><b>6</b></p> <p style="writing-mode: vertical-rl; transform: rotate(180deg);">STATION No.5</p>	<p>Cutter: HWW027-K05-7</p>  <p><b>7</b></p> <p>Cutter: HWW027-K05-8</p>  <p style="writing-mode: vertical-rl; transform: rotate(180deg);">STATION No.5</p>	<p>Cutter: HWW027-K06-14 2 units</p>  <p><b>8</b></p> <p style="writing-mode: vertical-rl; transform: rotate(180deg);">STATION No.6</p>

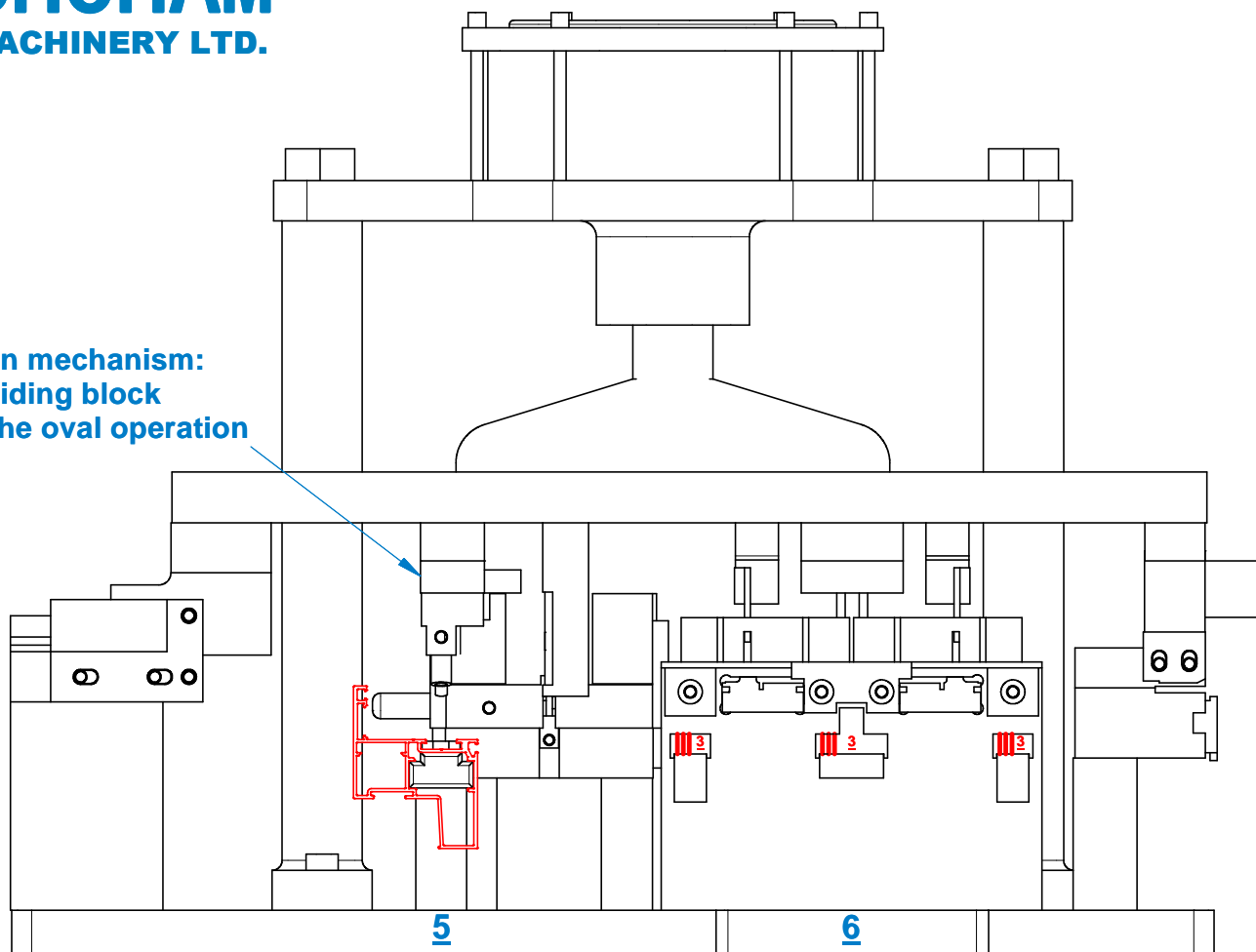




**Model NuKlip WW & SF HWW027**  
**Station No.3 with profile AB200**

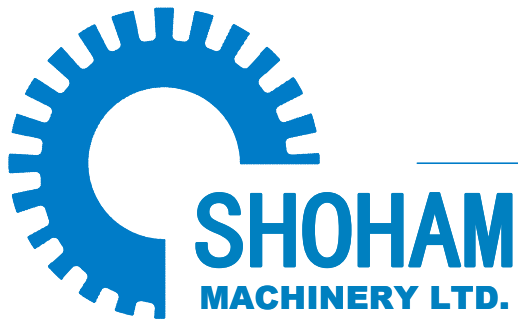


**Cancellation mechanism:  
Push the sliding block  
to cancel the oval operation**



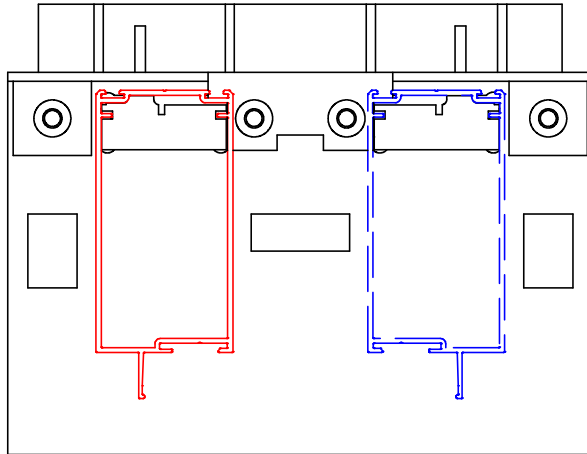
**5**  
AB227  
AB233  
AB199

**6**  
See instructions  
in the next page

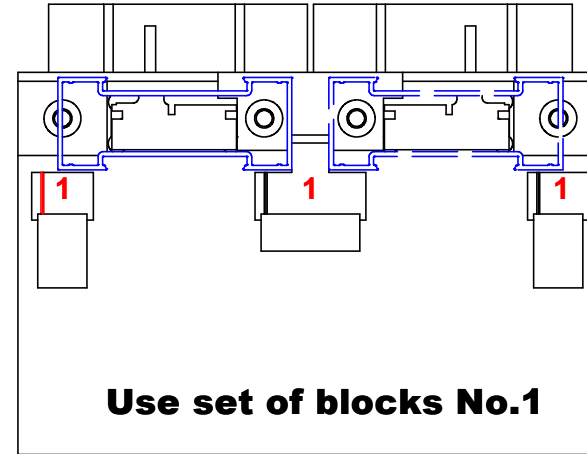


**Model NuKlip WW & SF HWW027**  
**Station No.6 with profiles**

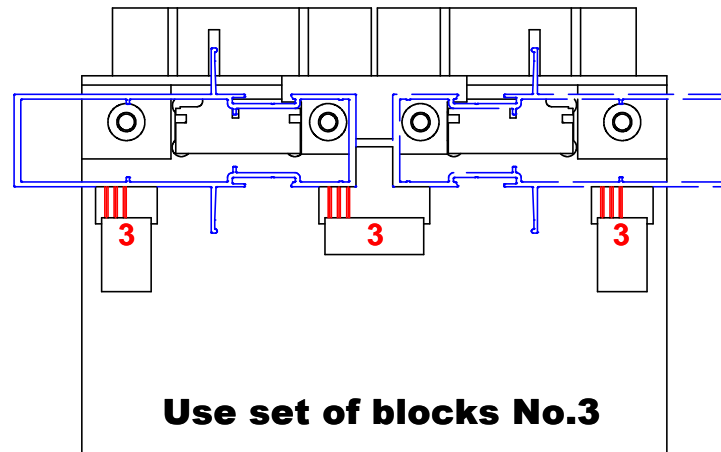
ABI614,ABI829,ABI710  
 ABI613,ABI714,ABI 657,ABI612

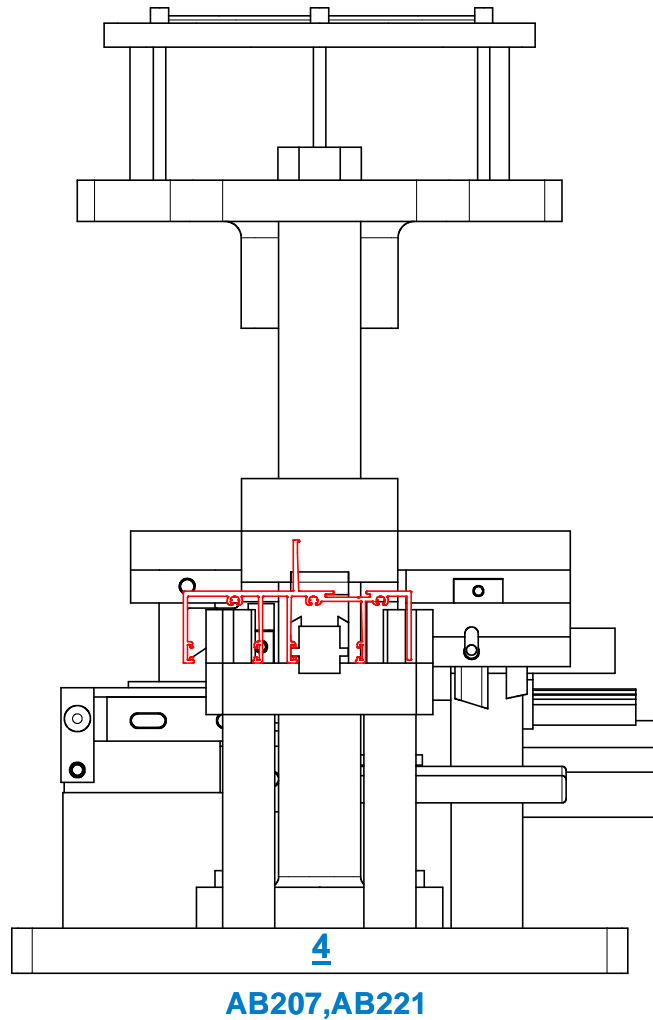


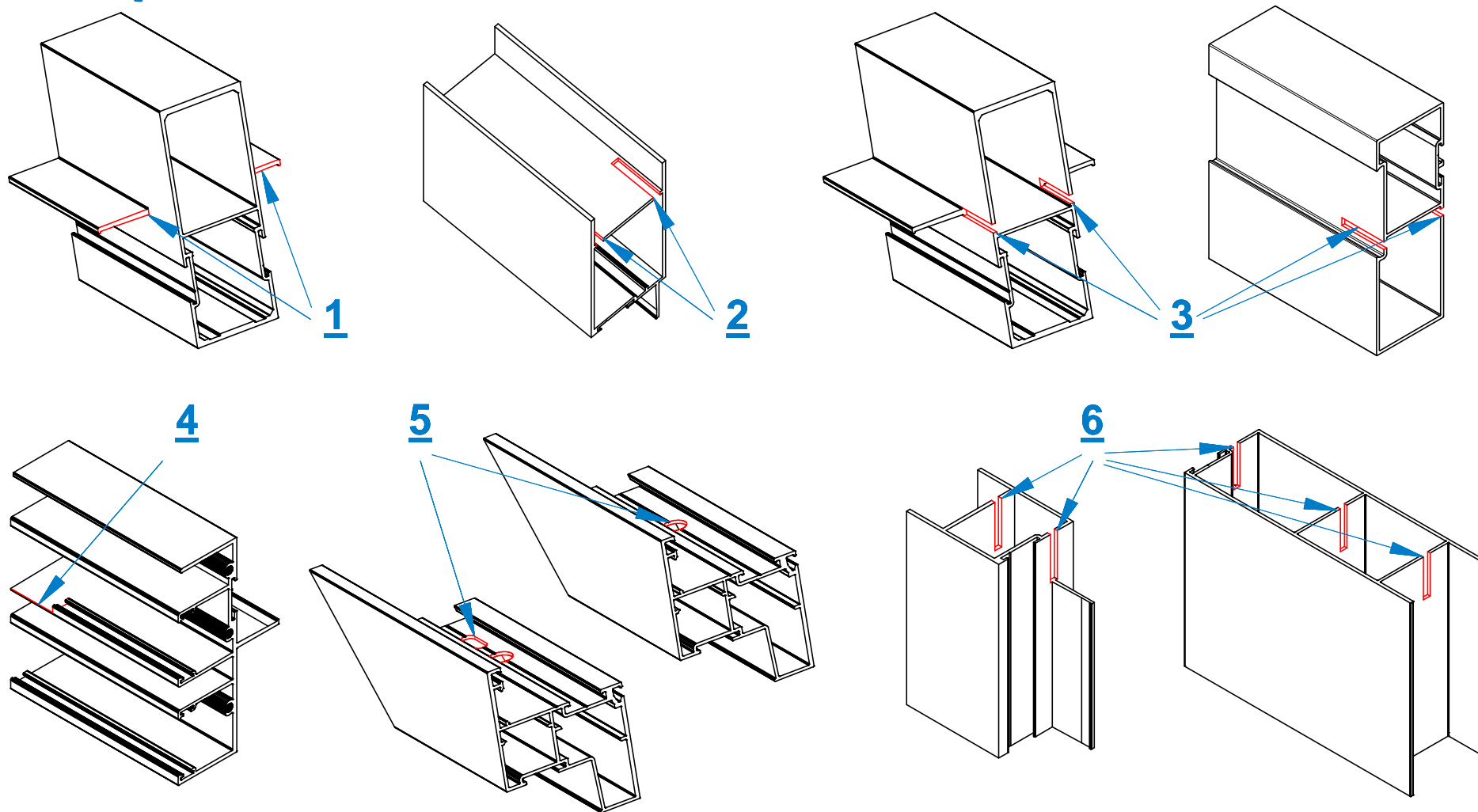
ABI603,ABI828  
 ABC731



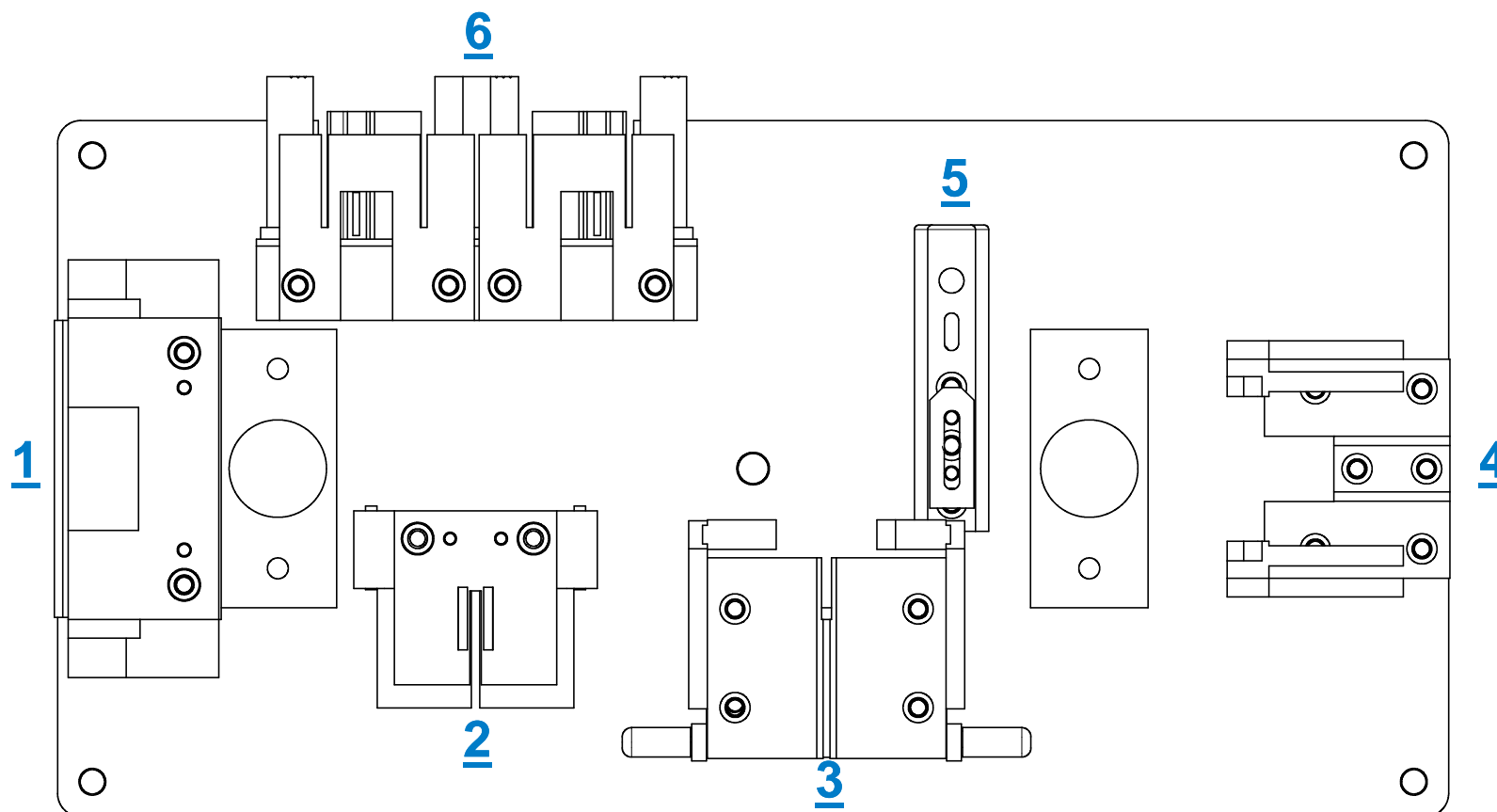
ABI600,ABI602,ABI601,ABI555,ABI604  
 ABI664,ABI656,ABI639



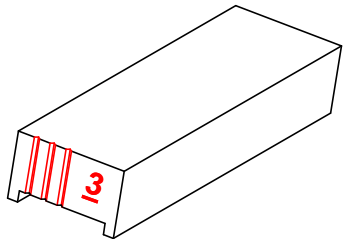
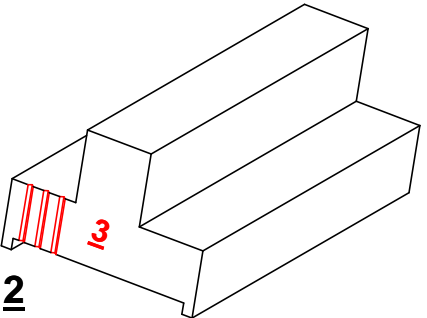
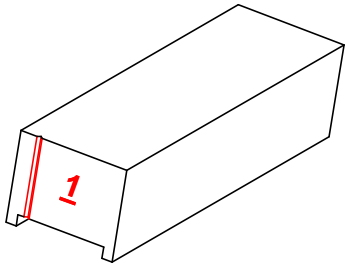
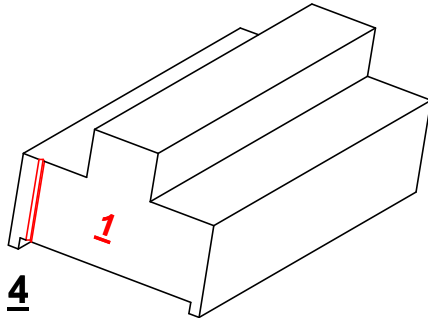








**Model NuKlip WW & SF HWW027**  
**Parts to be supplied with the machine**

<p>Basis: HWW027-B06-6 - 2 units</p>  <p><b>1</b></p> <p>STATION No.6</p>	<p>Basis: HWW027-B06-9 - 1 unit</p>  <p><b>2</b></p> <p>STATION No.6</p>	<p>Basis: HWW027-B06-8 - 2 units</p>  <p><b>3</b></p> <p>STATION No.6</p>	<p>Basis: HWW027-B06-11 - 1 unit</p>  <p><b>4</b></p> <p>STATION No.6</p>