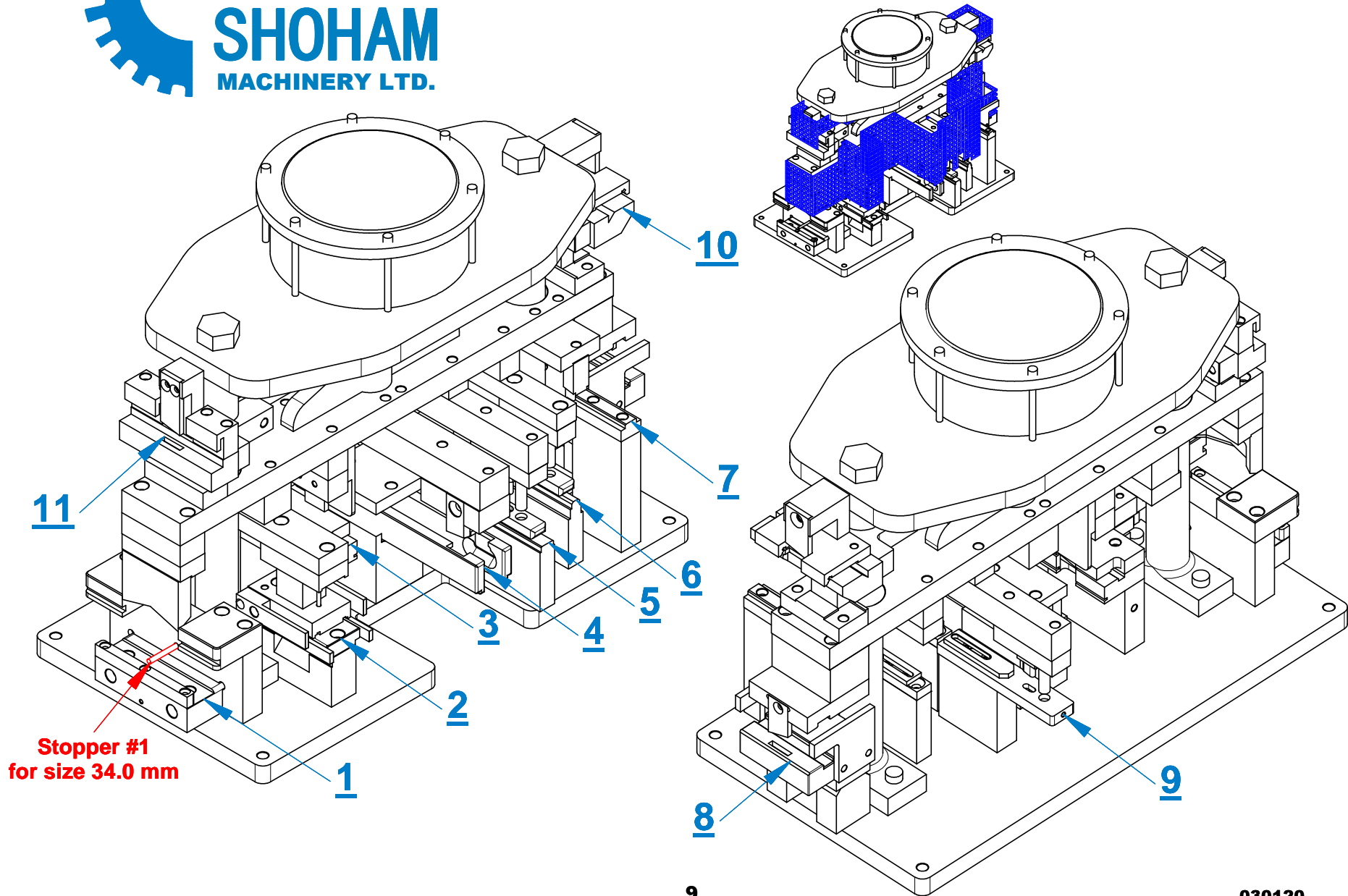
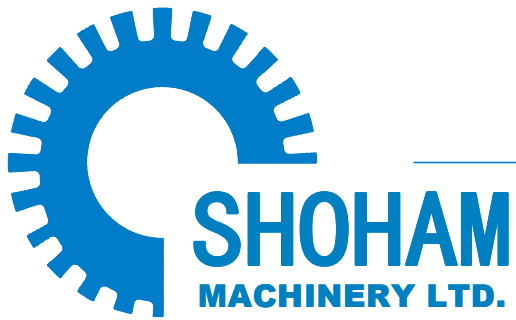


# Pneumatic Tool Model MU114

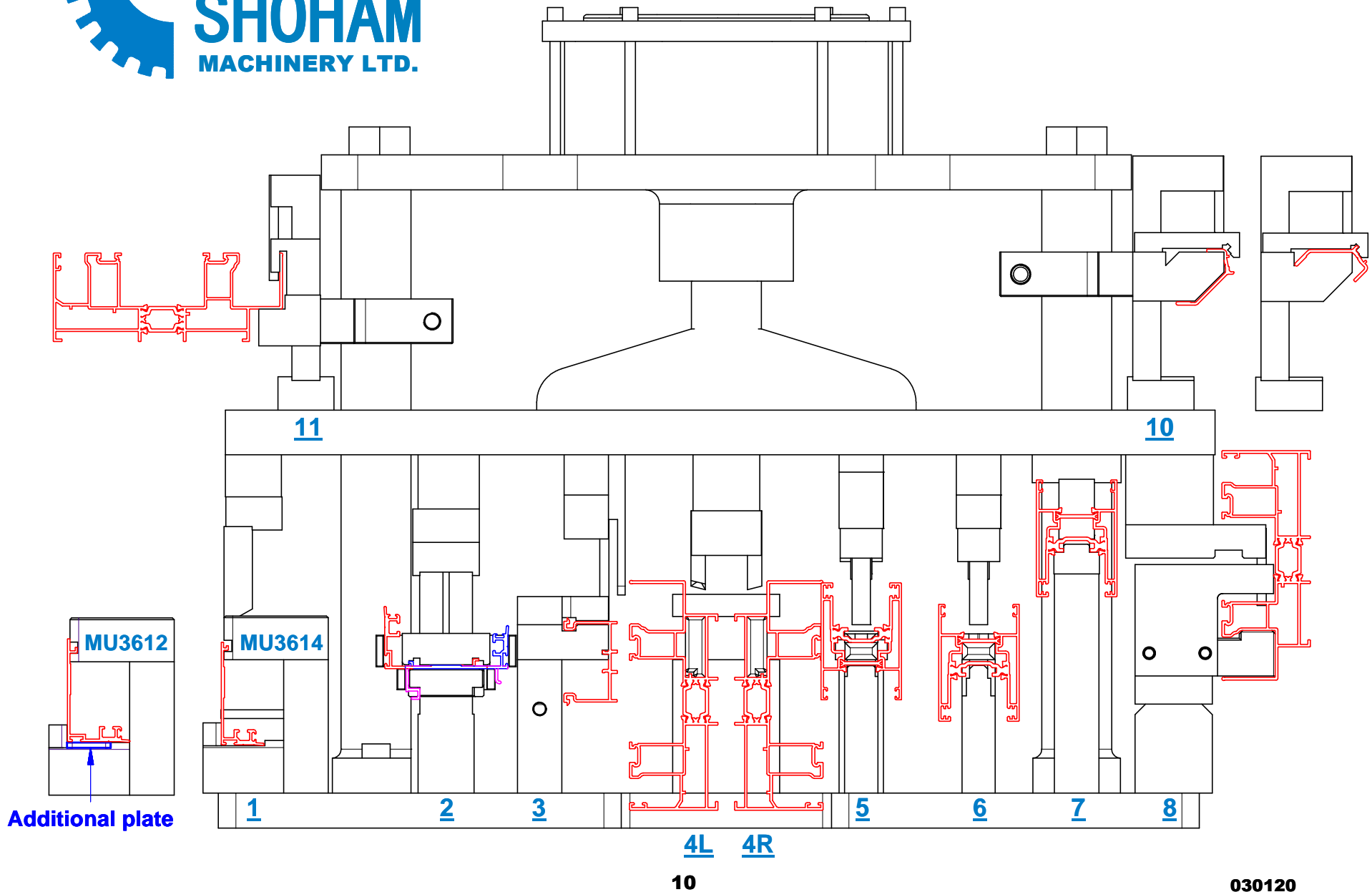


9

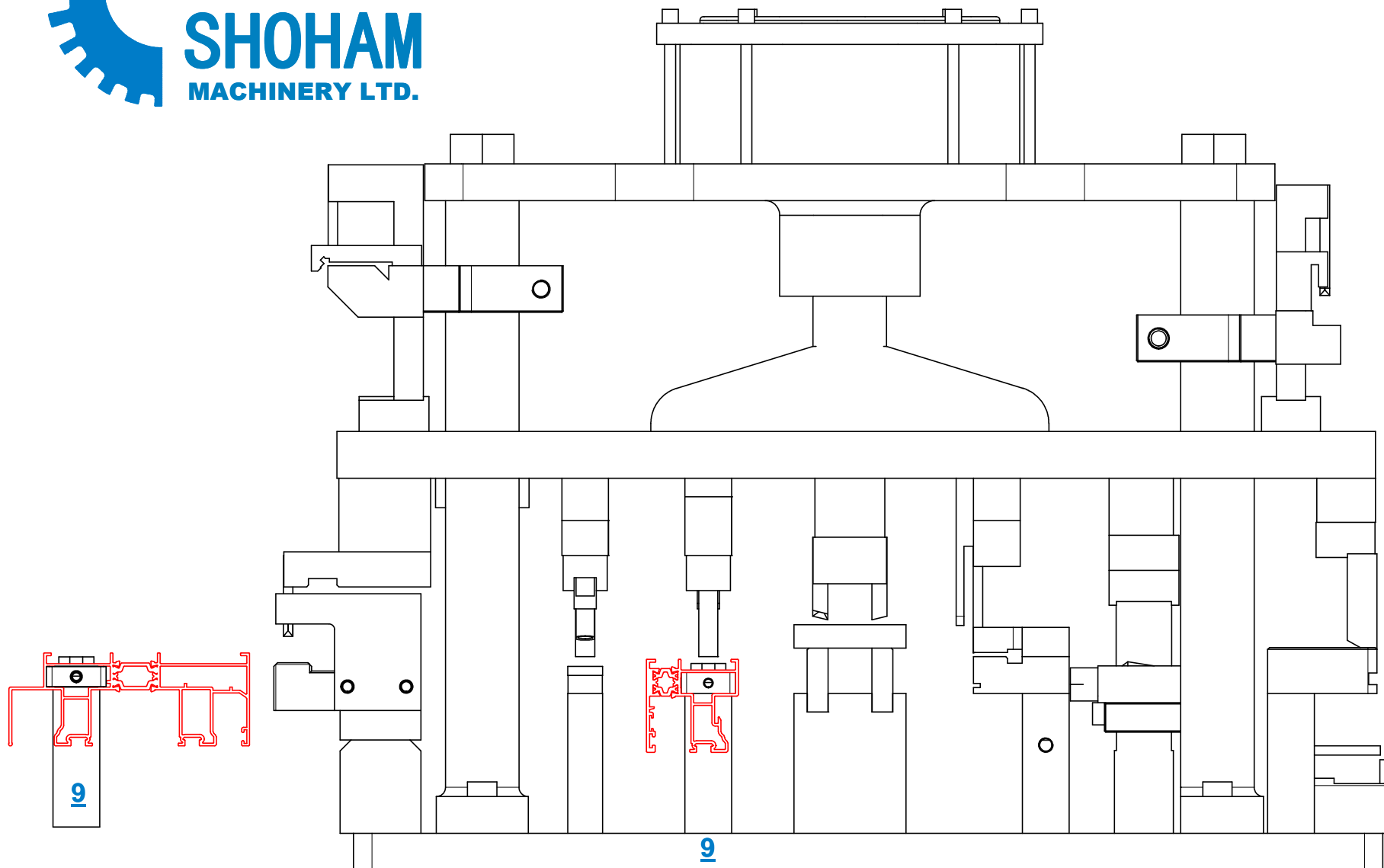
030120



# Model MU114



030120

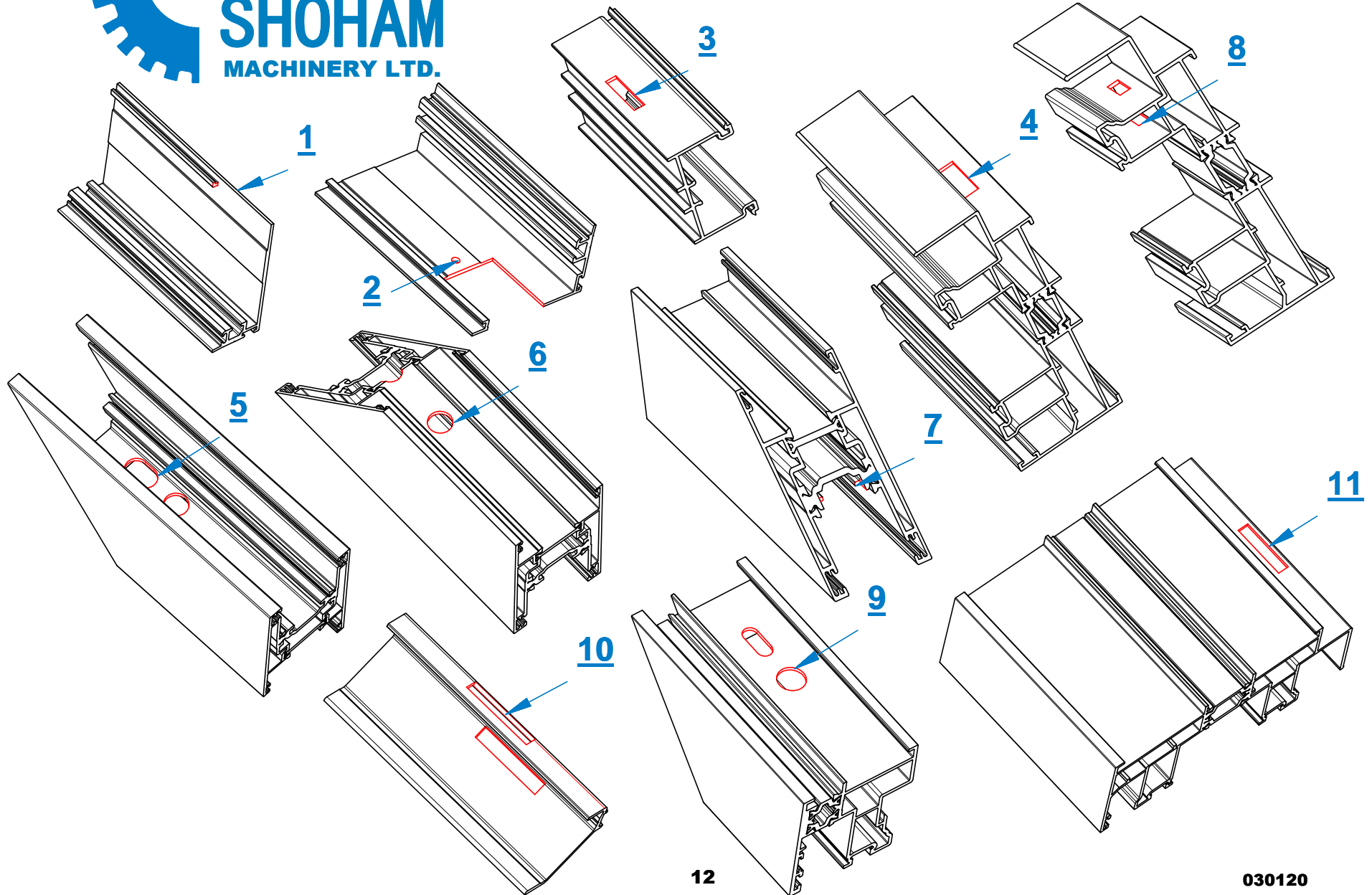


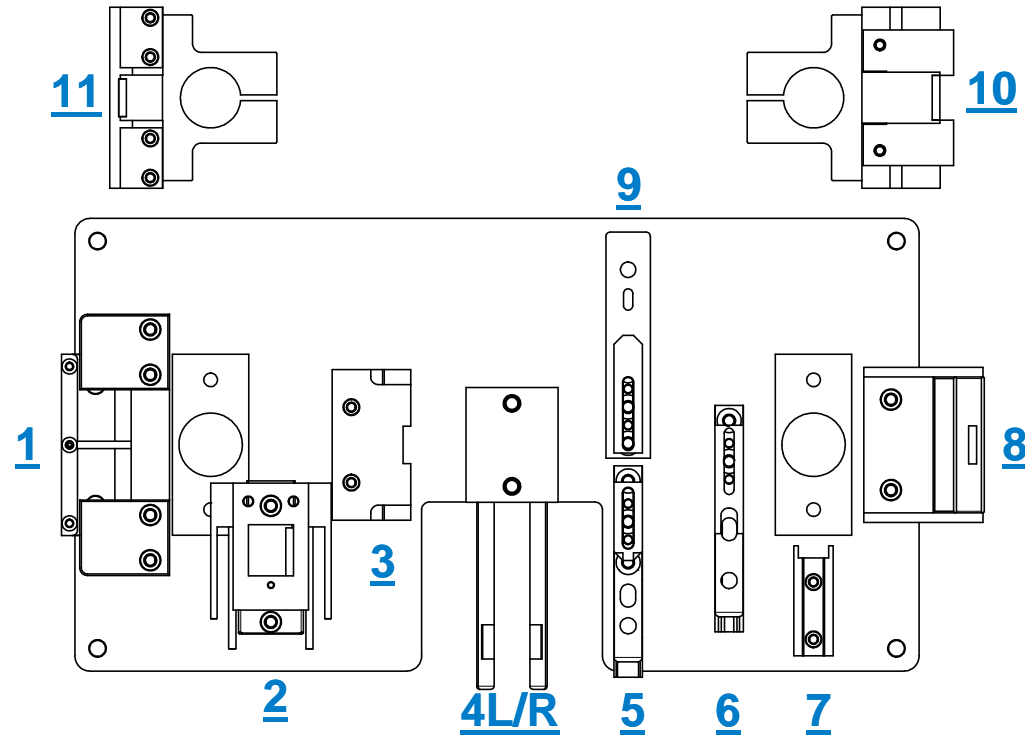
**Profile MU3600/MU3601 should be processed without  
insert MU114-I09-6 (see on page 16)**



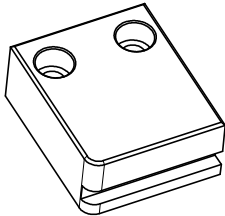
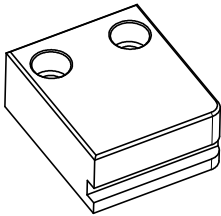
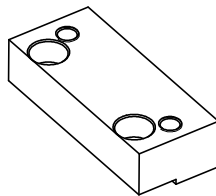
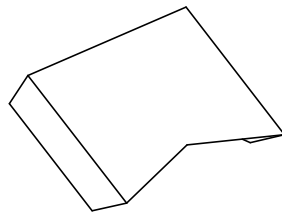
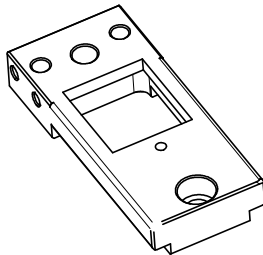
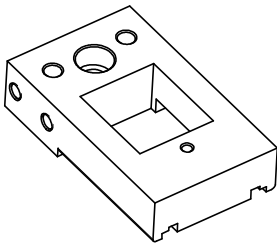
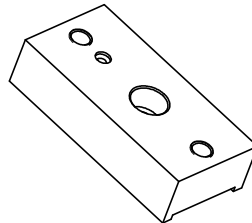
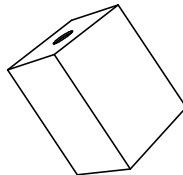
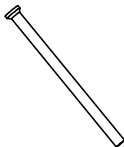
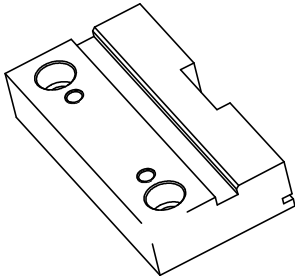
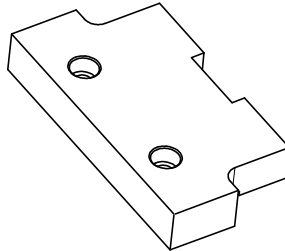
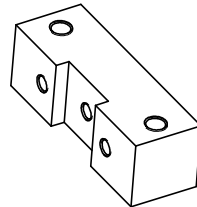
**SHOHAM**  
MACHINERY LTD.

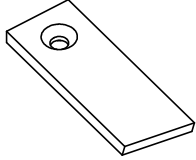
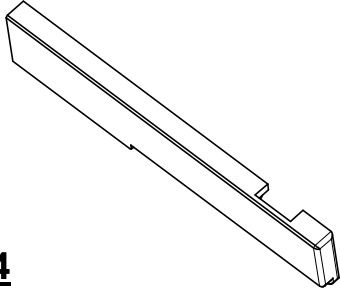
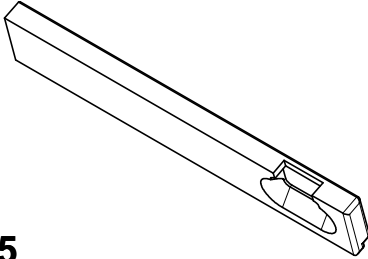
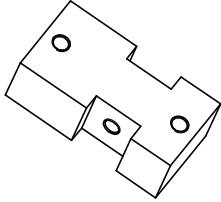
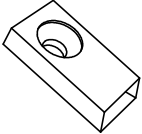
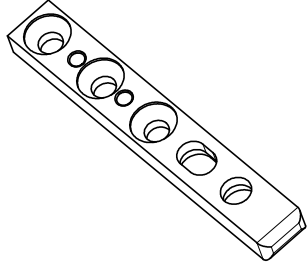
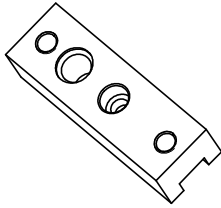
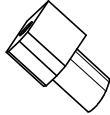
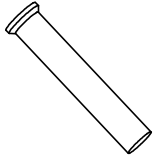
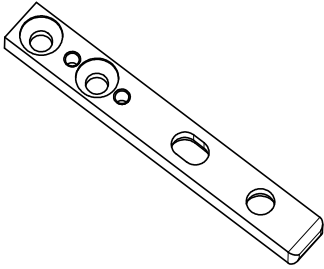
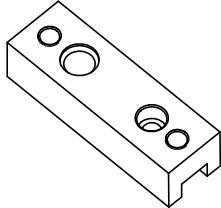
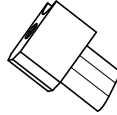
# Model MU114

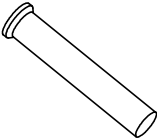
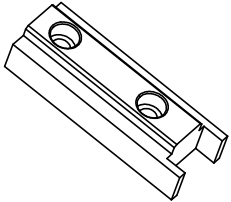
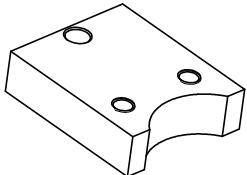
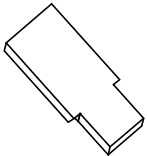
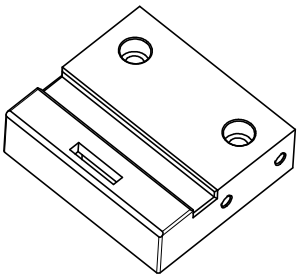
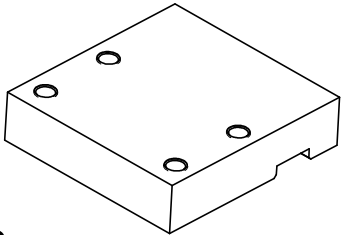
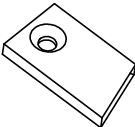
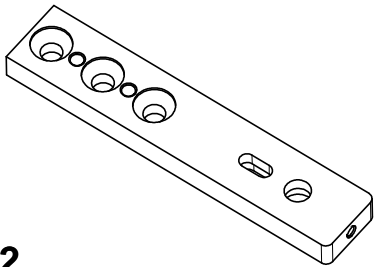
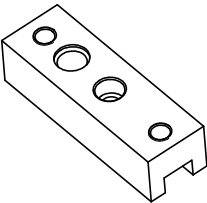
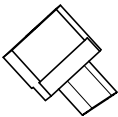
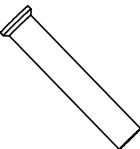
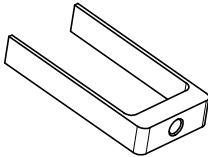




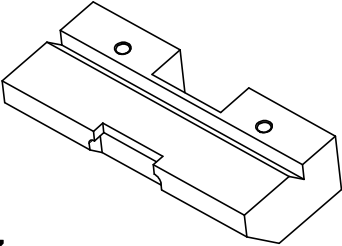
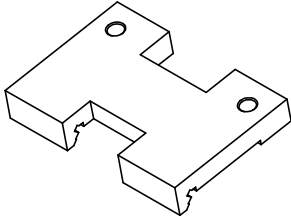
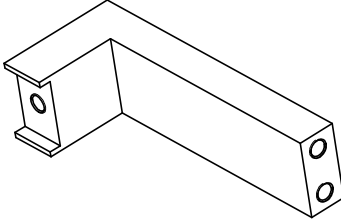
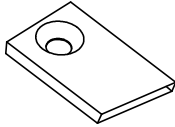
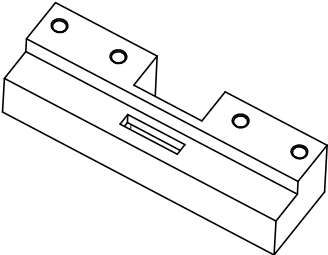
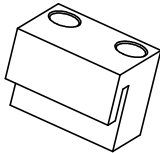
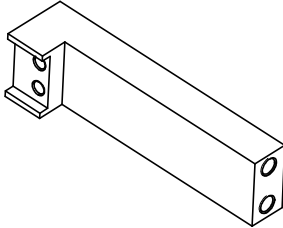
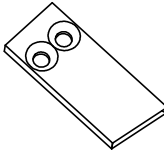
STATION	PROFILE'S NUMBER
1	MU 3612,MU 3614
2	MU 3610,MU 3612,MU 3614
3	A 30530
4	MU 3602,MU 3603,MU 3604,MU 3605,MU 3606,MU 3607,MU 3630,MU 3631,MU 3632
5	MU 3613,MU 3611,MU 3616,MU 3618,MU 3624,MU 3625
6	MU 3613,MU 3611,MU 3616,MU 3618,MU 3624,MU 3625
7	MU 3611,MU 3616,MU 3618,MU,MU 3625
8	MU 3601,MU 3603,MU 3604,MU 3605,MU 3606,MU 3607,MU 3631,MU 3632
9	MU 3600,MU 3601,MU 3602,MU 3603,MU 3604,MU 3605,MU 3606,MU 3607,MU 3608,MU 3630,MU 3631,MU 3632
10	MU 3306
11	MU 3601,MU 3603,MU 3630,MU 3631,MU 3632

<p>Matrix: MU114-M01-1L</p>  <p><b>1</b></p> <p style="writing-mode: vertical-rl; transform: rotate(180deg);">STATION No.1</p>	<p>Matrix: MU114-M01-1R</p>  <p><b>2</b></p> <p style="writing-mode: vertical-rl; transform: rotate(180deg);">STATION No.1</p>	<p>Cutter Guide: MU114-H01-4</p>  <p><b>3</b></p> <p style="writing-mode: vertical-rl; transform: rotate(180deg);">STATION No.1</p>	<p>Cutter: MU114-K01-6</p>  <p><b>4</b></p> <p style="writing-mode: vertical-rl; transform: rotate(180deg);">STATION No.1</p>
<p>Matrix: MU114-M02-1</p>  <p><b>5</b></p> <p style="writing-mode: vertical-rl; transform: rotate(180deg);">STATION No.2</p>	<p>Profile Guide: MU114-G02-2</p>  <p><b>6</b></p> <p style="writing-mode: vertical-rl; transform: rotate(180deg);">STATION No.2</p>	<p>Cutter Guide: MU114-H02-6</p>  <p><b>7</b></p> <p style="writing-mode: vertical-rl; transform: rotate(180deg);">STATION No.2</p>	<p>Cutter: MU114-K02-7</p>  <p><b>8</b></p> <p style="writing-mode: vertical-rl; transform: rotate(180deg);">STATION No.2</p>
<p>Cutter: MU114-K02-8 Ø3.5mm / L=55.0mm</p>  <p><b>9</b></p> <p style="writing-mode: vertical-rl; transform: rotate(180deg);">STATION No.2</p>	<p>Matrix: MU114-M03-1</p>  <p><b>10</b></p> <p style="writing-mode: vertical-rl; transform: rotate(180deg);">STATION No.3</p>	<p>Profile Guide: MU114-G03-2</p>  <p><b>11</b></p> <p style="writing-mode: vertical-rl; transform: rotate(180deg);">STATION No.3</p>	<p>Cutter Guide: MU114-H03-4</p>  <p><b>12</b></p> <p style="writing-mode: vertical-rl; transform: rotate(180deg);">STATION No.3</p>

<p>Cutter: MU114-K03-6</p>  <p><b>13</b></p>	<p>Matrix: MU114-M04-1L</p>  <p><b>14</b></p>	<p>Matrix: MU114-M04-1R</p>  <p><b>15</b></p>	<p>Cutter Guide: MU114-H04-4</p>  <p><b>16</b></p>
<p>Cutter: MU114-K04-6</p>  <p><b>17</b></p>	<p>Matrix: MU114-M05-1</p>  <p><b>18</b></p>	<p>Cutter Guide: MU114-H05-3</p>  <p><b>19</b></p>	<p>Cutter: MU114-K05-6</p>  <p><b>20</b></p>
<p>Cutter: MU114-K05-7 Ø10.4mm / L=43.0mm</p>  <p><b>21</b></p>	<p>Matrix: MU114-M06-1</p>  <p><b>22</b></p>	<p>Cutter Guide: MU114-H06-3</p>  <p><b>23</b></p>	<p>Cutter: MU114-K06-6</p>  <p><b>24</b></p>

<p>Cutter: MU114-K06-7 Ø10.4mm / L=43.0mm</p>  <p><b>25</b></p>	<p>Matrix: MU114-M07-1</p>  <p><b>26</b></p>	<p>Cutter Guide: MU114-H07-3</p>  <p><b>27</b></p>	<p>Cutter: MU114-K07-4</p>  <p><b>28</b></p>
<p>Matrix: MU114-M08-1</p>  <p><b>29</b></p>	<p>Cutter Guide: MU114-H08-4</p>  <p><b>30</b></p>	<p>Cutter: MU114-K08-7</p>  <p><b>31</b></p>	<p>Matrix: MU114-M09-1</p>  <p><b>32</b></p>
<p>Cutter Guide: MU114-H09-3</p>  <p><b>33</b></p>	<p>Cutter: MU114-K09-4</p>  <p><b>34</b></p>	<p>Cutter: MU114-K09-5 Ø10mm / L=43.0mm</p>  <p><b>35</b></p>	<p>Insert: MU114-I09-6</p>  <p><b>36</b></p>



<p>Matrix: MU114-M10-1</p>  <p><b>37</b></p>	<p>Profile Guide: MU114-G10-5</p>  <p><b>38</b></p>	<p>Cutter Guide: MU114-H10-4</p>  <p><b>39</b></p>	<p>Cutter: MU114-K11-5</p>  <p><b>40</b></p>
<p>Matrix: MU114-M11-1</p>  <p><b>41</b></p>	<p>Profile Guide: MU114-G11-3 2 units</p>  <p><b>42</b></p>	<p>Cutter Guide: MU114-H11-6</p>  <p><b>43</b></p>	<p>Cutter: MU114-K11-5</p>  <p><b>44</b></p>