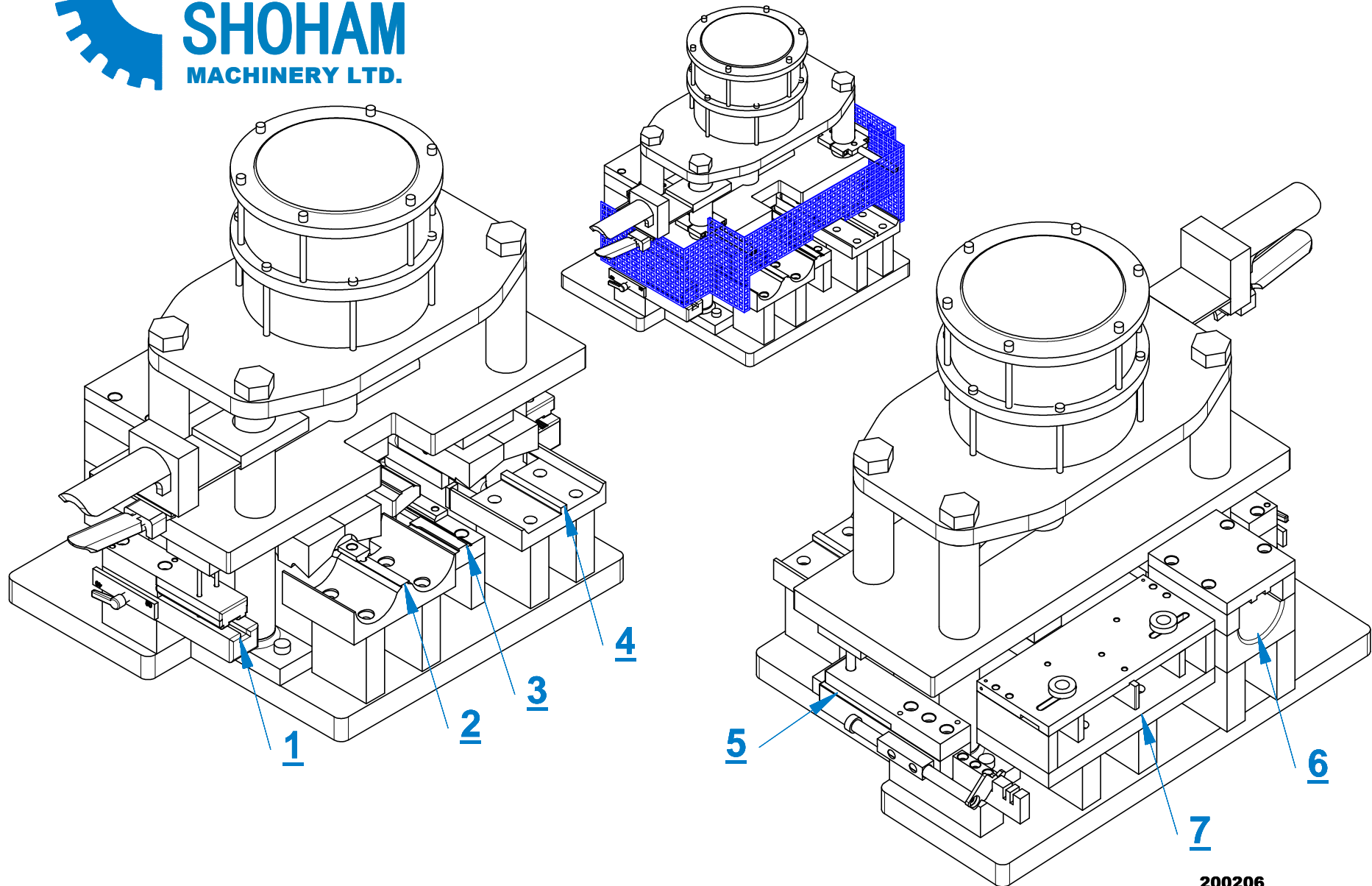
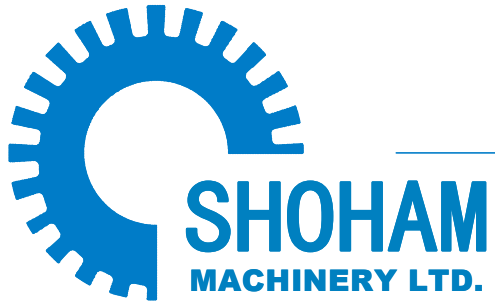


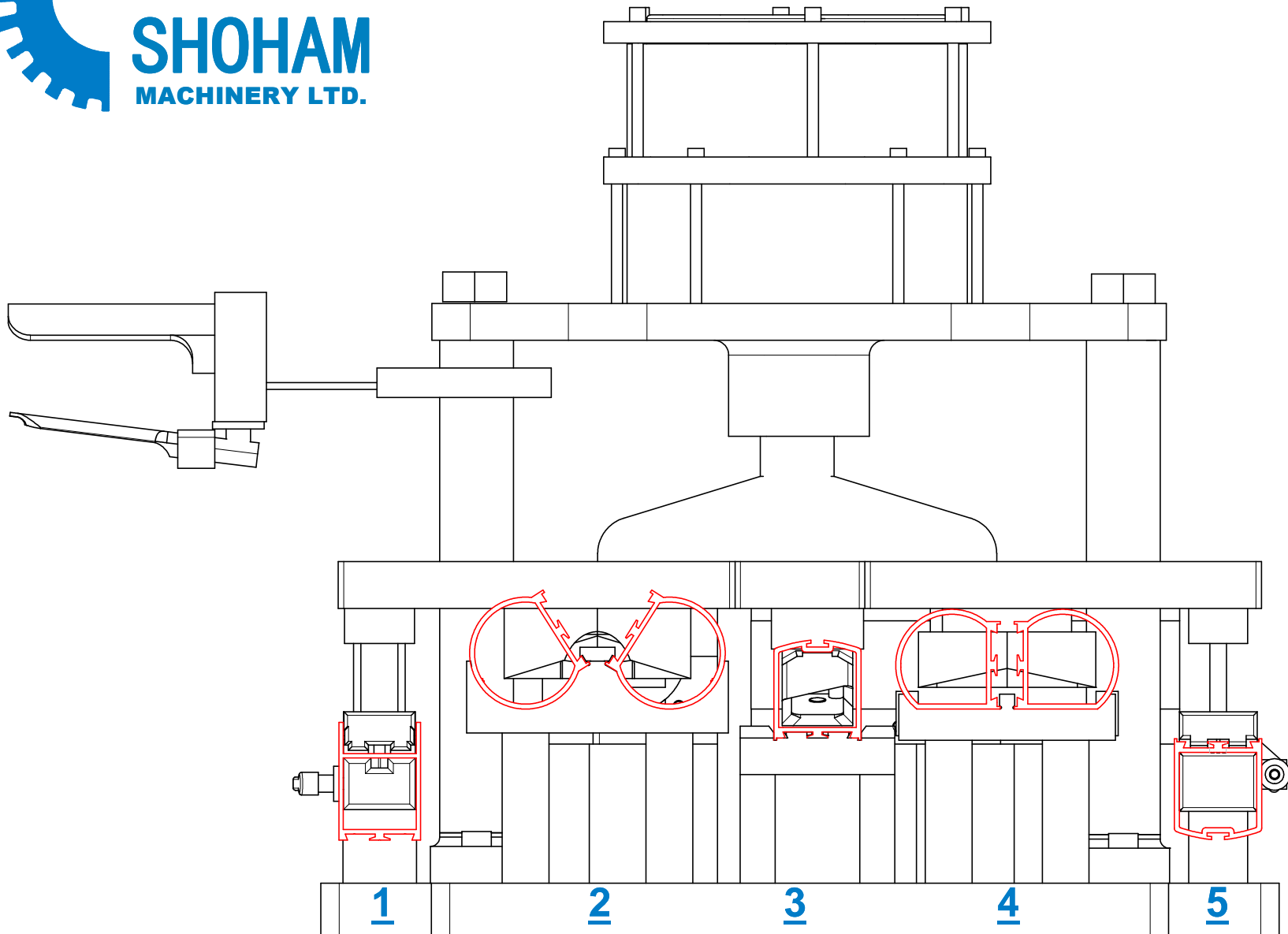
Pneumatic press Model TPSH05



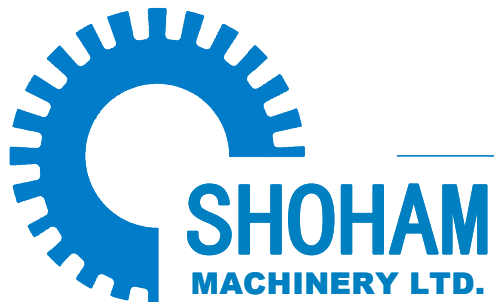
200206



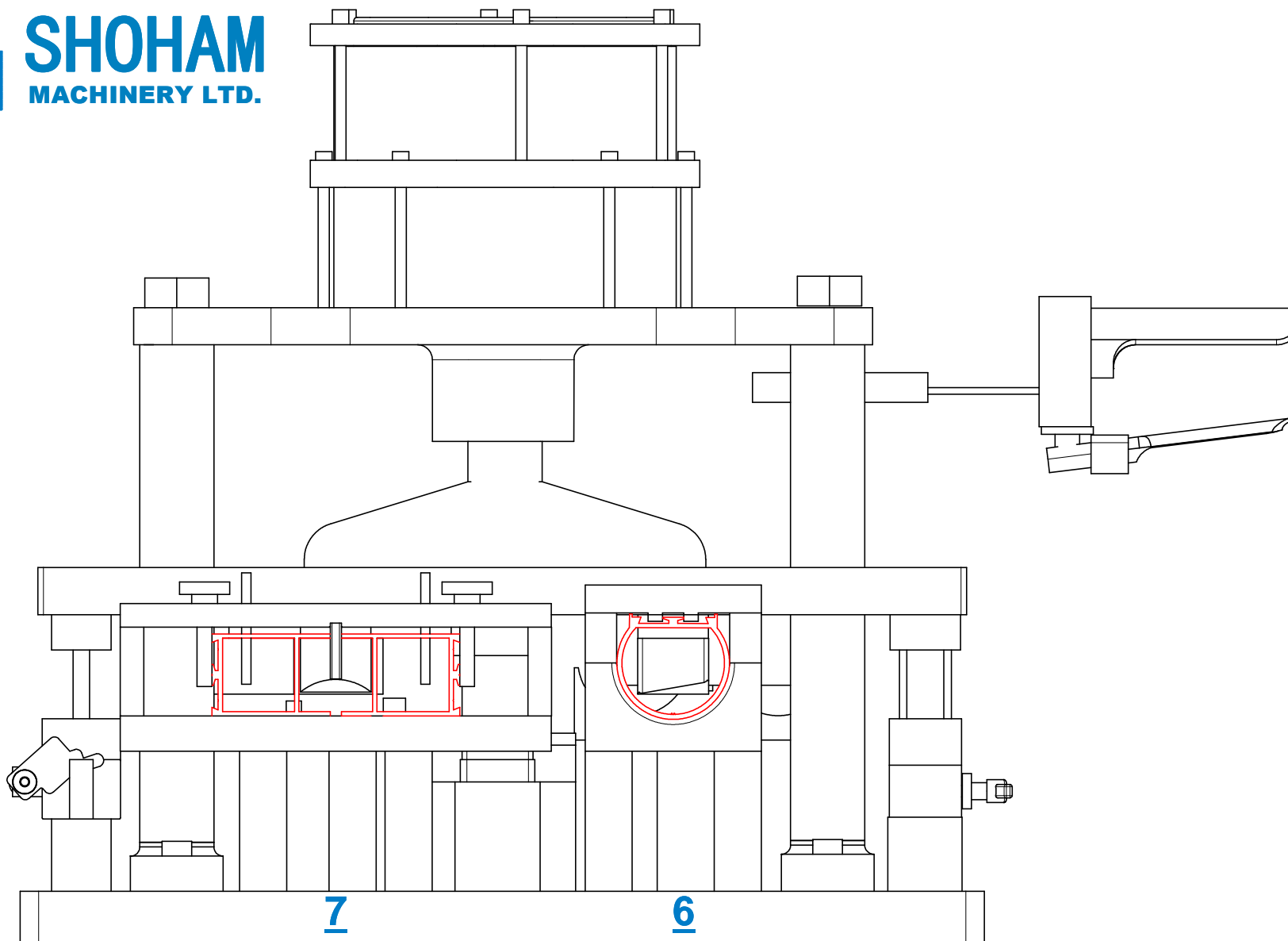
Model TPSH05



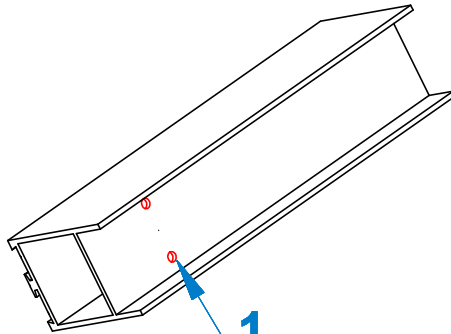
200206



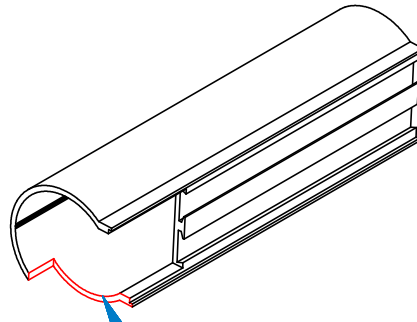
Model TPSH05



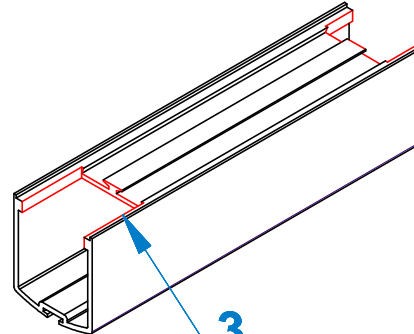
200206



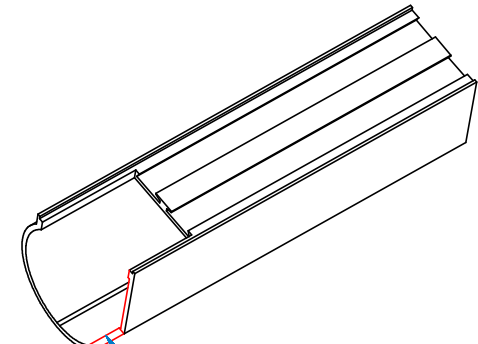
1
SD-543 SD-573
SD-544 SD-574
SD-545 SD-575
SD-577



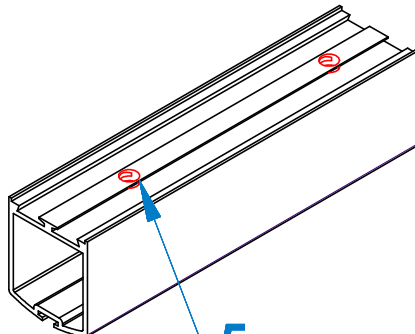
2
SD-561



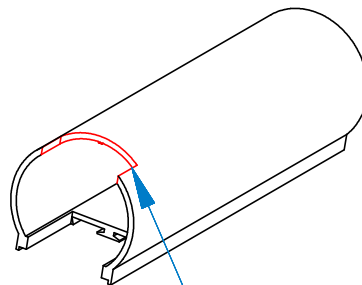
3
SD-560 SD-587
SD-561 SD-588
SD-572 SD-591
SD-592



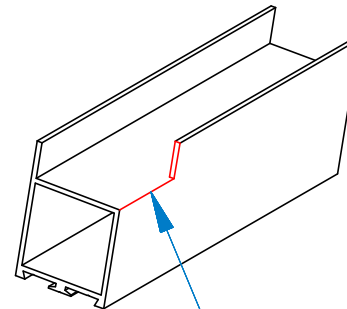
4
SD-560



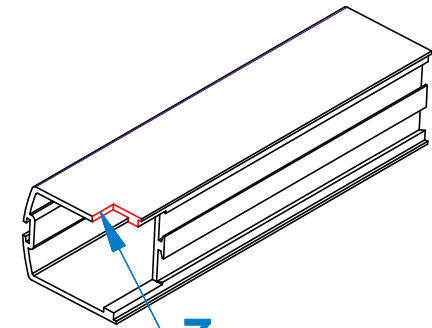
5
SD-560 SD-587
SD-561 SD-588
SD-572 SD-591
SD-592



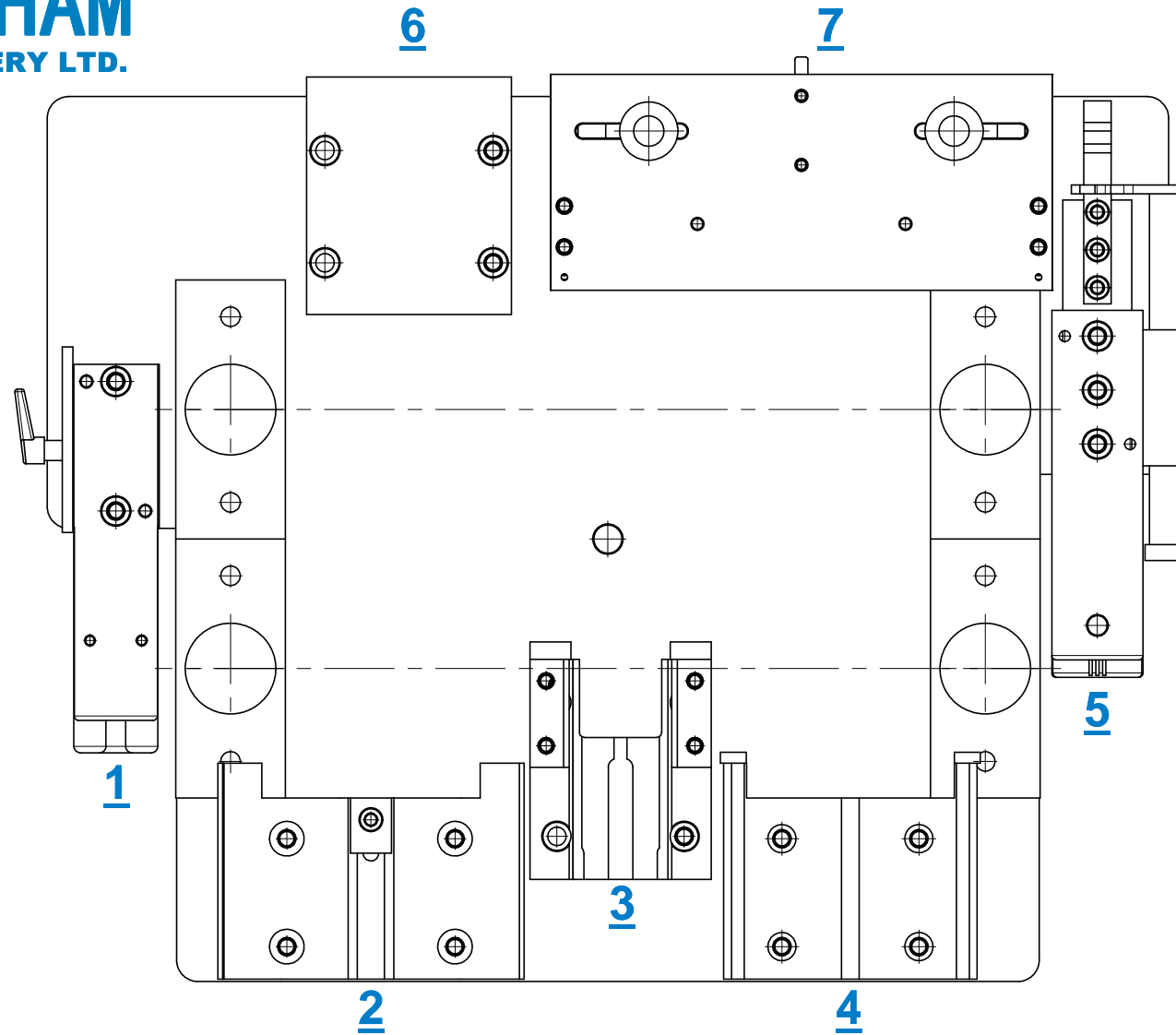
6
SD-561



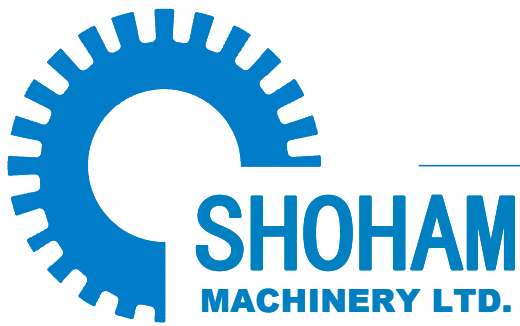
7
SD-543 SD-573



7
SD-572 SD-587
SD-588

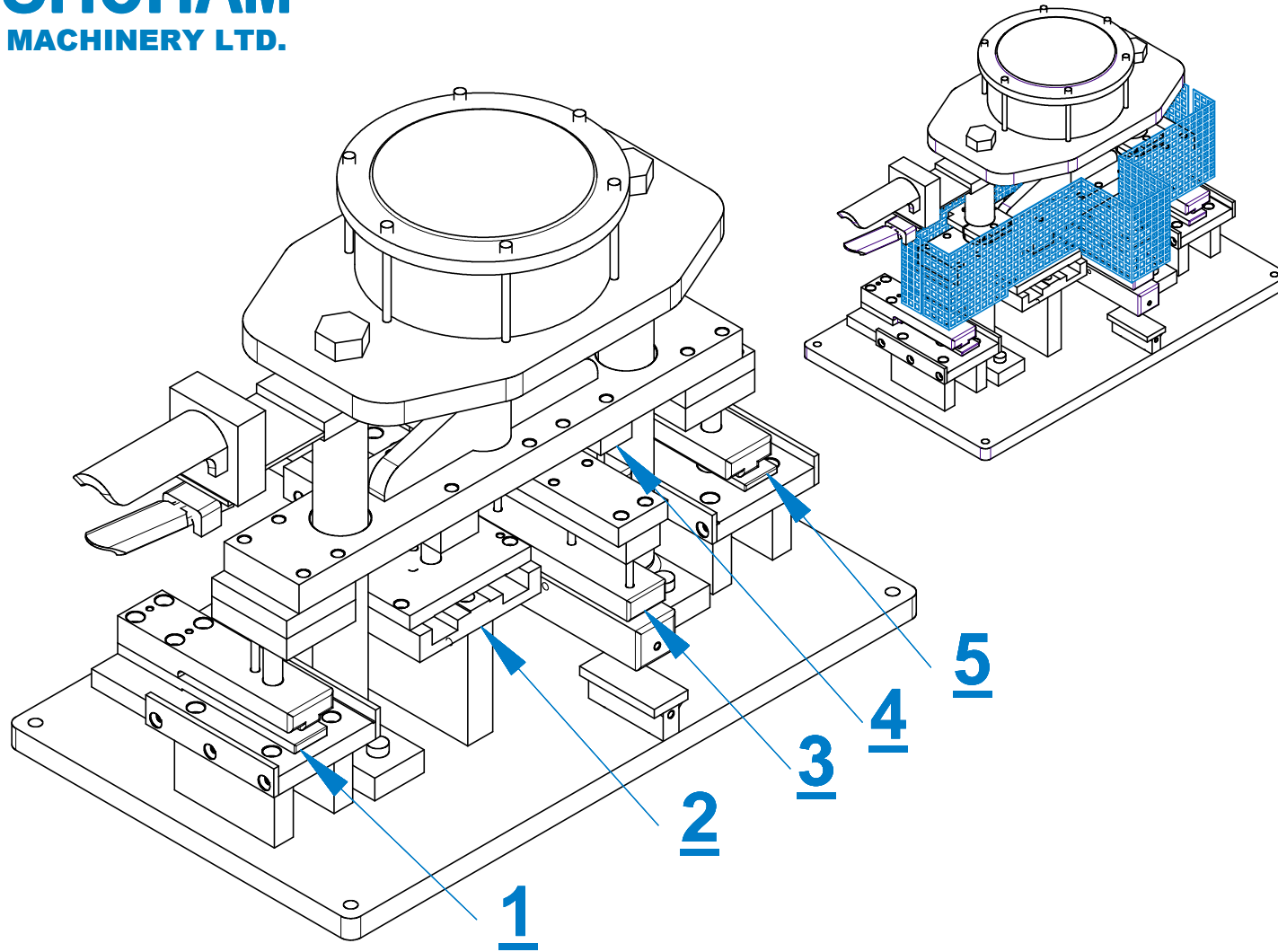


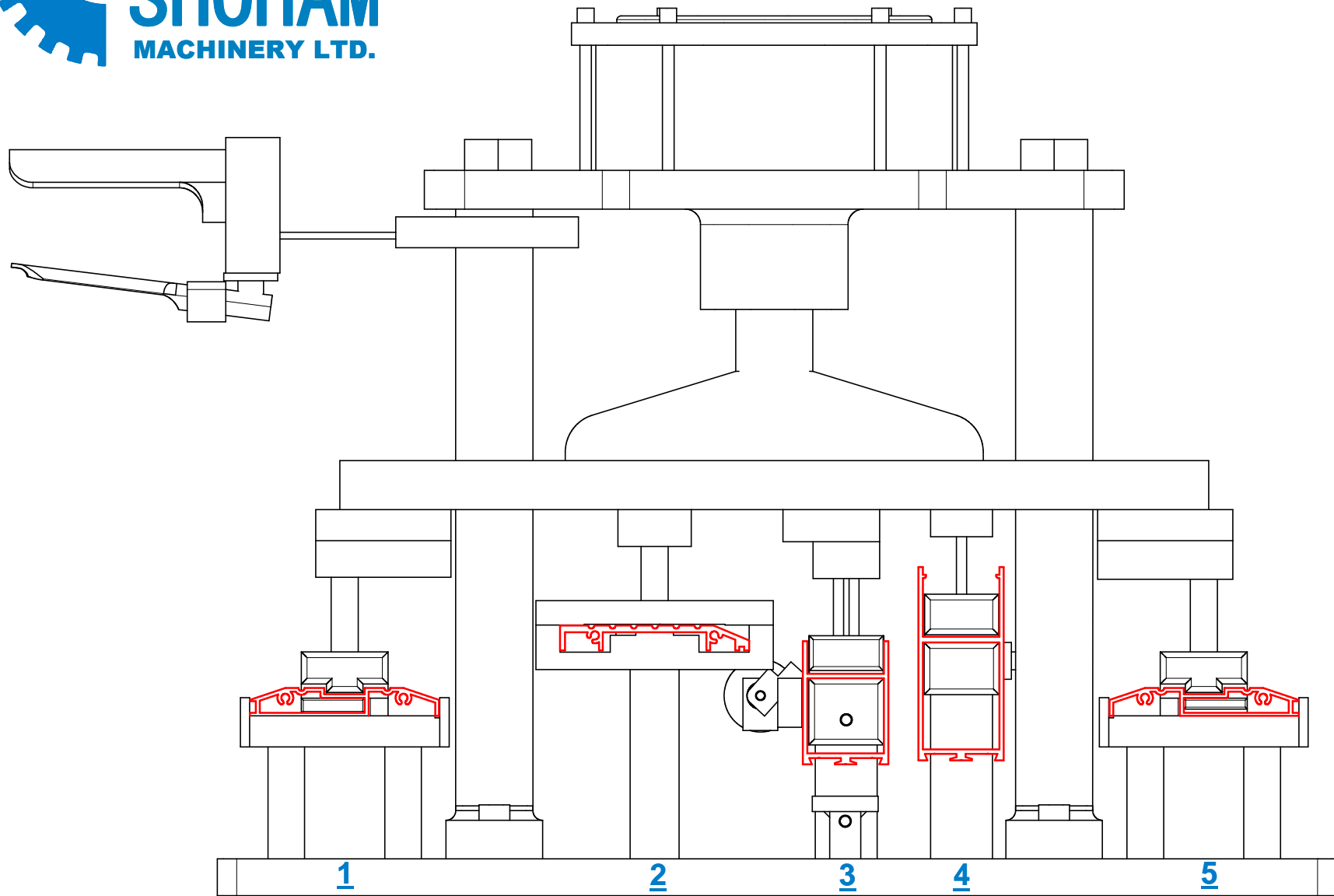
200206

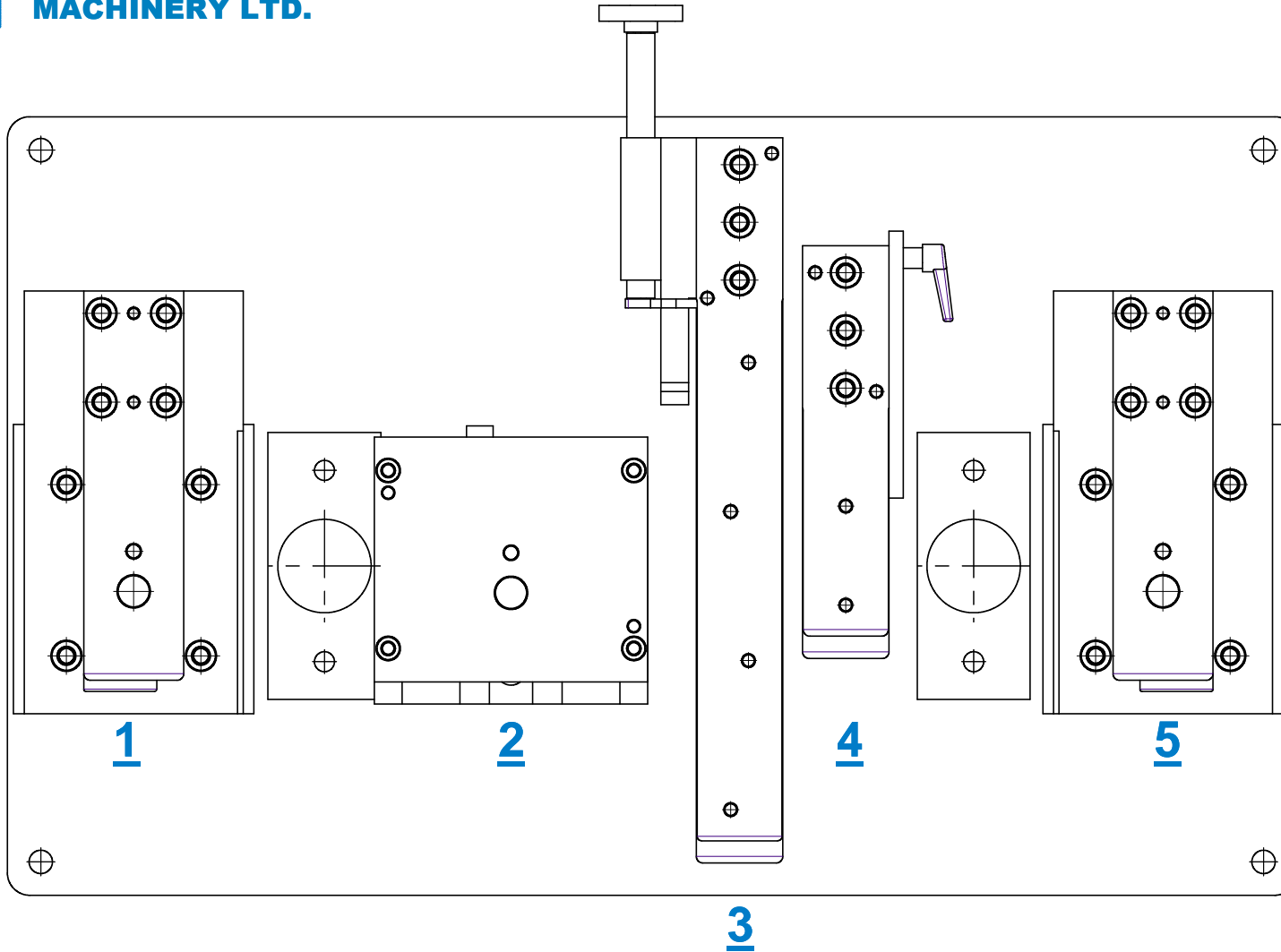


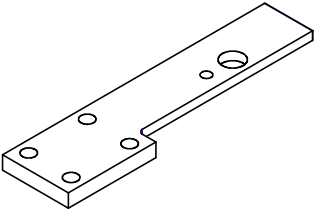
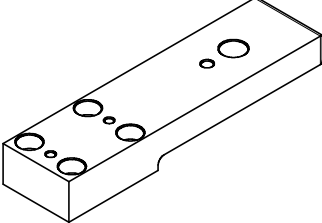
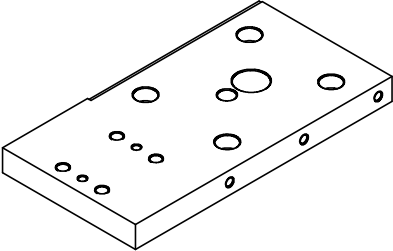
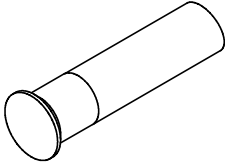
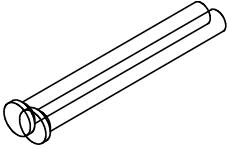
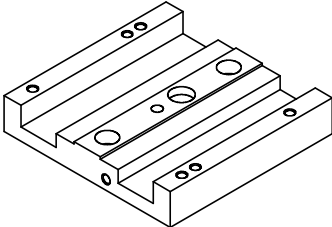
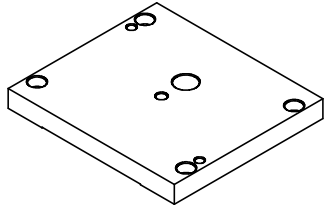
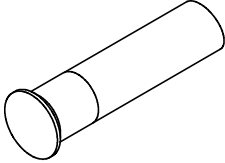
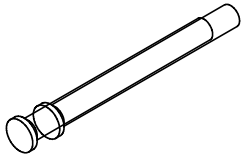
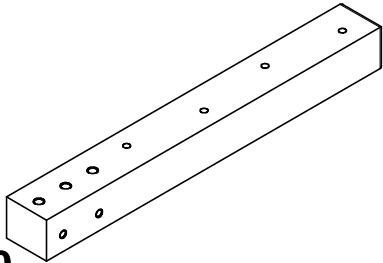
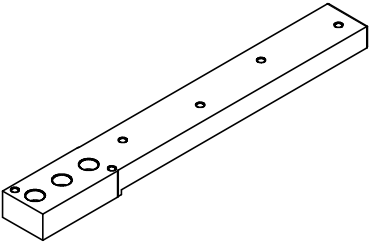
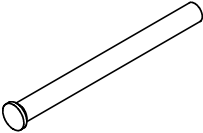
Pneumatic Press Model TPSH06

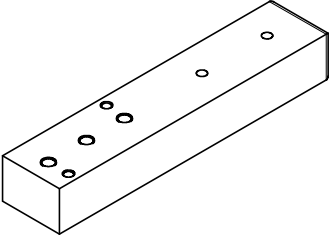
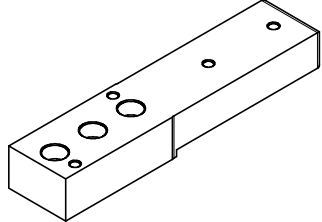
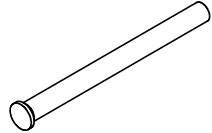
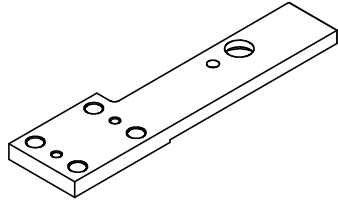
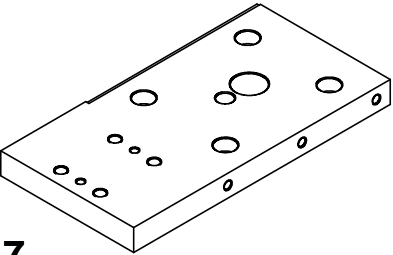
New version (started from serial #63)







<p>Matrice: TPSH06-M01-1</p>  <p>1</p> <p style="writing-mode: vertical-rl; transform: rotate(180deg);">STATION No.1</p>	<p>Profile Guide: TPSH06-G01-2 Profile Guide: TPSH06-G05-2</p>  <p>2</p> <p style="writing-mode: vertical-rl; transform: rotate(180deg);">STATION No.1&5</p>	<p>Plate: TPSH06-P01-3</p>  <p>3</p> <p style="writing-mode: vertical-rl; transform: rotate(180deg);">STATION No.1</p>	<p>Cutter: TPSH06-K01-8 Cutter: TPSH06-K05-8</p>  <p>4</p> <p style="writing-mode: vertical-rl; transform: rotate(180deg);">STATION No.1&5</p>
<p>Cutter: TPSH06-K01-9(Ø6.0mm) Cutter: TPSH06-K05-9</p>  <p>5</p> <p style="writing-mode: vertical-rl; transform: rotate(180deg);">STATION No.1&5</p>	<p>Matrice: TPSH06-M02-1 New version (started from serial #63)</p>  <p>6</p> <p style="writing-mode: vertical-rl; transform: rotate(180deg);">STATION No.2</p>	<p>Profile Guide: TPSH06-G02-2 New version (started from serial #63)</p>  <p>7</p> <p style="writing-mode: vertical-rl; transform: rotate(180deg);">STATION No.2</p>	<p>Cutter: TPSH06-K02-8 New version (started from serial #63)</p>  <p>8</p> <p style="writing-mode: vertical-rl; transform: rotate(180deg);">STATION No.2</p>
<p>Cutter: TPSH06-K02-9(Ø6.0mm) New version (started from serial #63)</p>  <p>9</p> <p style="writing-mode: vertical-rl; transform: rotate(180deg);">STATION No.2</p>	<p>Matrice: TPSH06-M03-1</p>  <p>10</p> <p style="writing-mode: vertical-rl; transform: rotate(180deg);">STATION No.3</p>	<p>Profile Guide: TPSH06-G03-2</p>  <p>11</p> <p style="writing-mode: vertical-rl; transform: rotate(180deg);">STATION No.3</p>	<p>Cutter: TPSH06-K03-10 4 units (Ø5.2mm)</p>  <p>12</p> <p style="writing-mode: vertical-rl; transform: rotate(180deg);">STATION No.3</p>

<p>Matrice: TPSH06-M04-1</p>  <p>13</p> <p style="writing-mode: vertical-rl; transform: rotate(180deg);">STATION No.4</p>	<p>Profile Guide: TPSH06-G04-2</p>  <p>14</p> <p style="writing-mode: vertical-rl; transform: rotate(180deg);">STATION No.4</p>	<p>Cutter: TPSH06-K04-6 2 units (Ø5.2mm)</p>  <p>15</p> <p style="writing-mode: vertical-rl; transform: rotate(180deg);">STATION No.4</p>	<p>Matrice: TPSH06-M05-1</p>  <p>16</p> <p style="writing-mode: vertical-rl; transform: rotate(180deg);">STATION No.5</p>
<p>Plate: TPSH06-P05-3</p>  <p>17</p> <p style="writing-mode: vertical-rl; transform: rotate(180deg);">STATION No.5</p>			