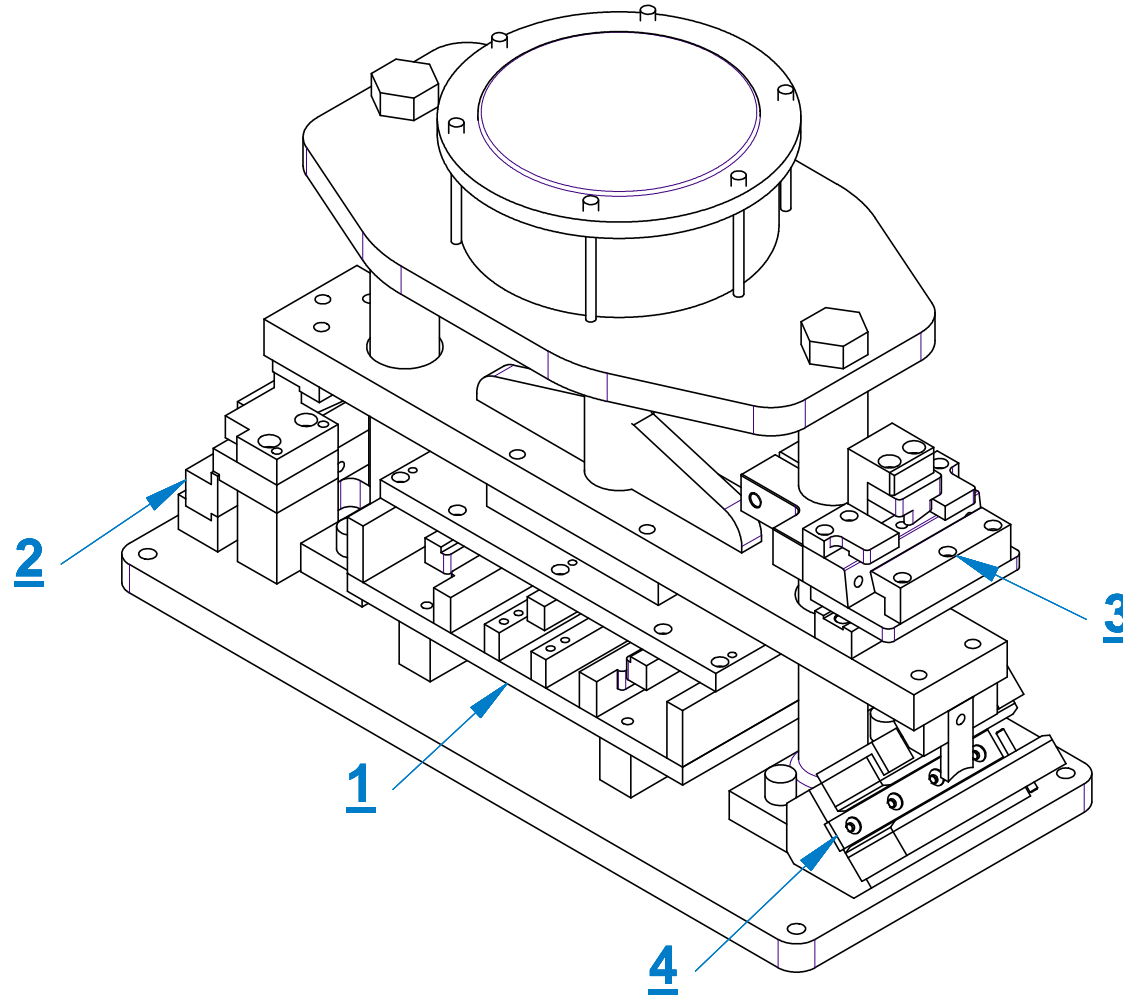
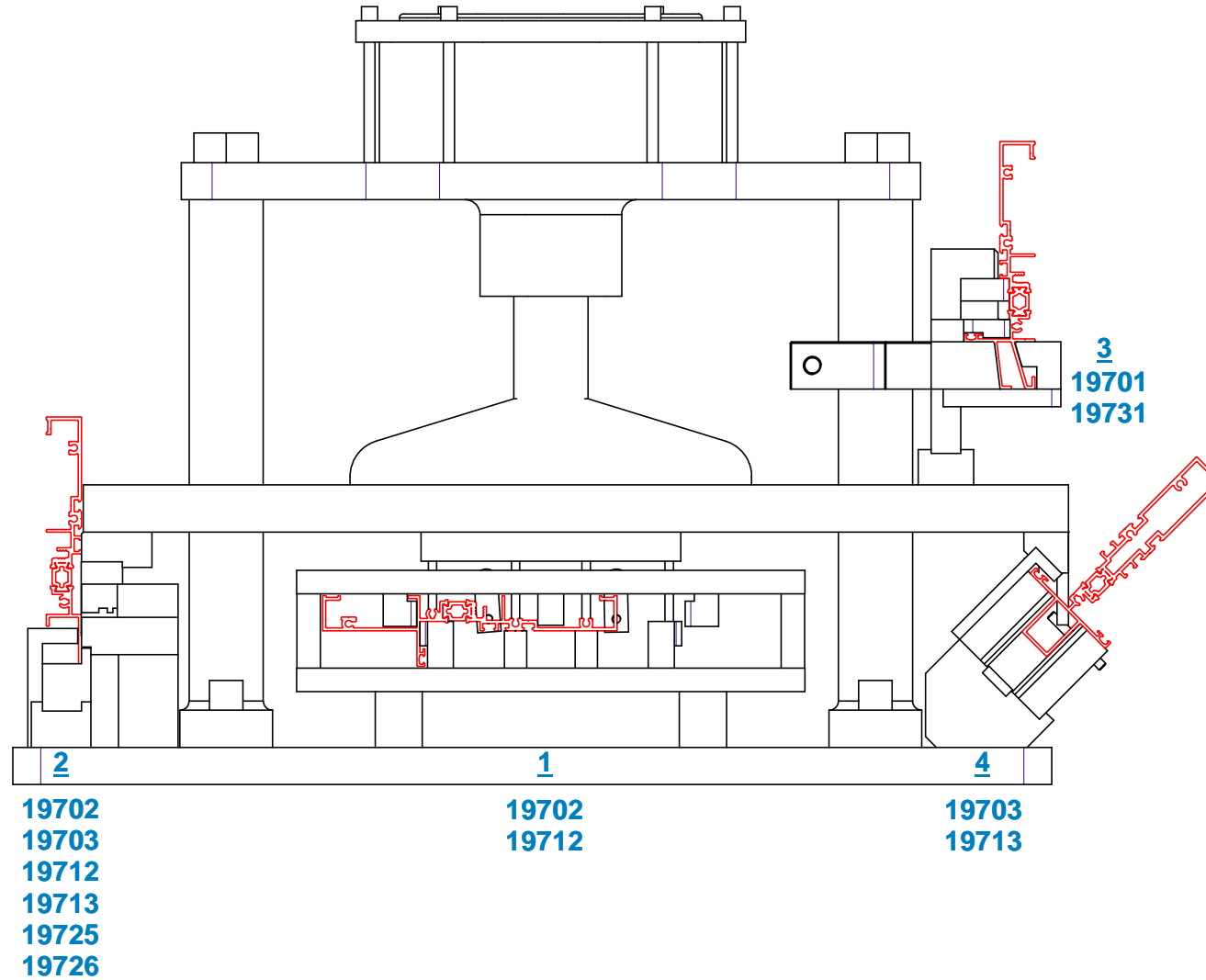


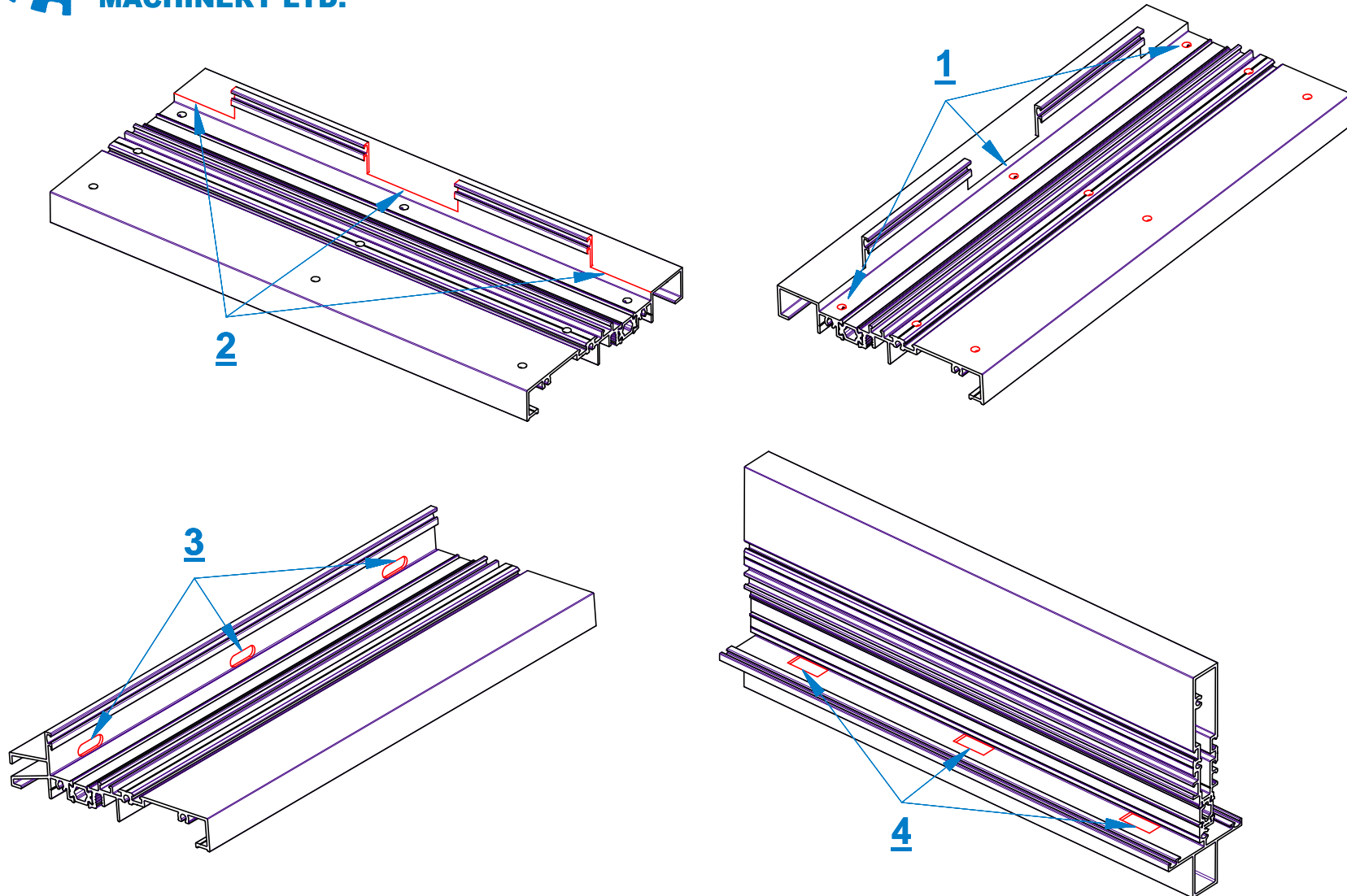
# ALUMICOR - Rainblade 1970



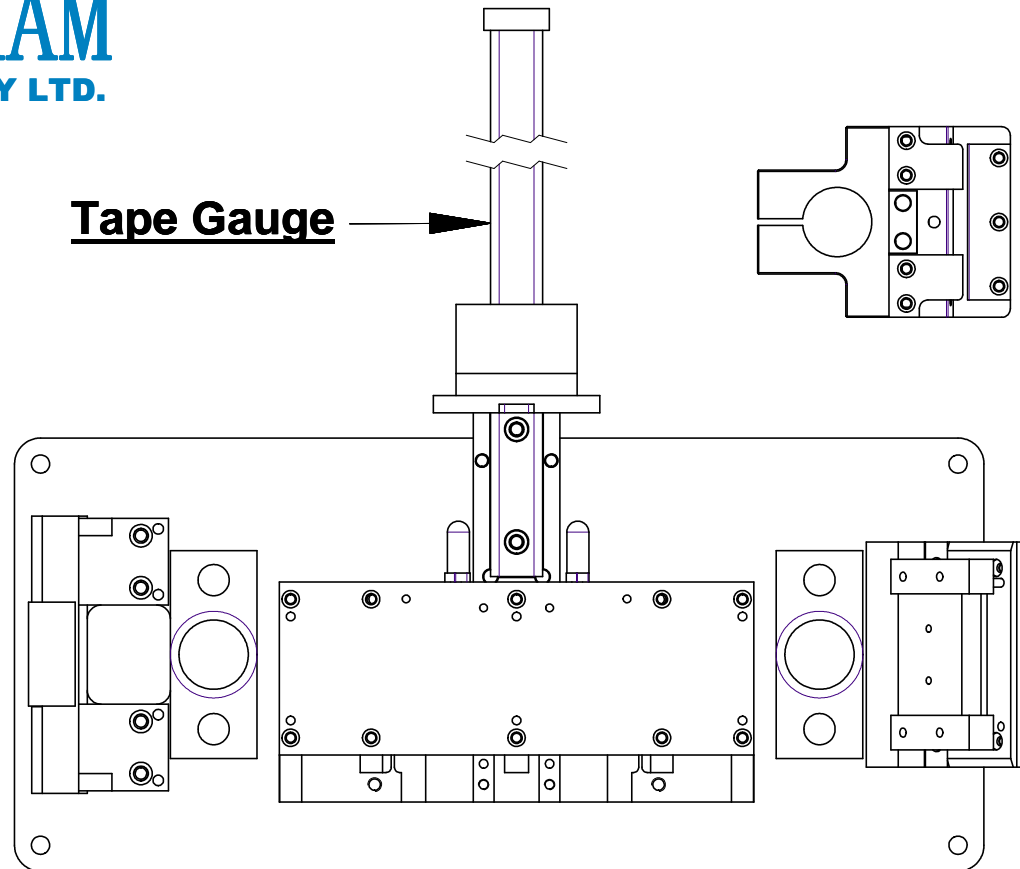
# ALUMICOR - Rainblade 1970



# ALUMICOR - Rainblade 1970

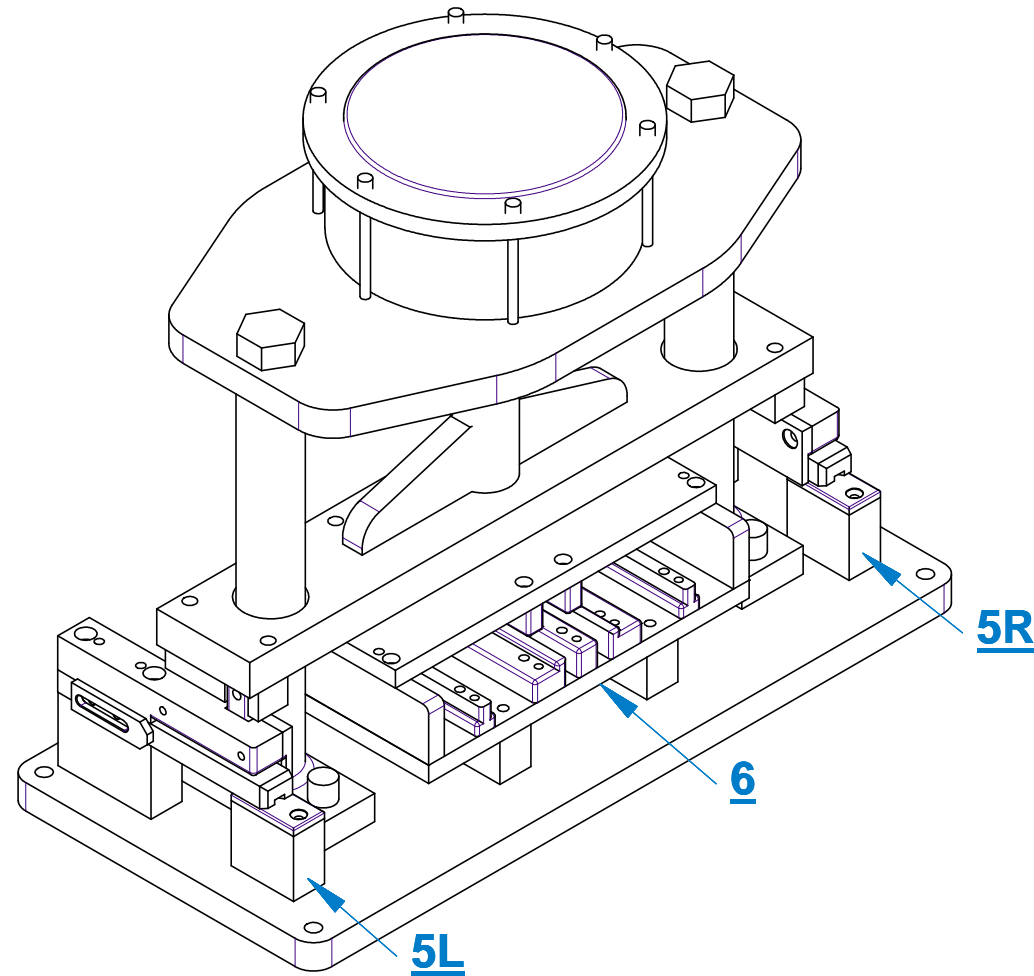


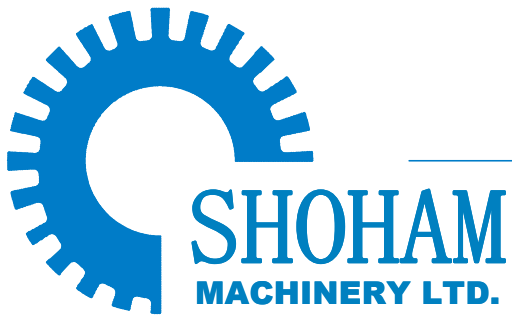
# ALUMICOR - Rainblade 1970



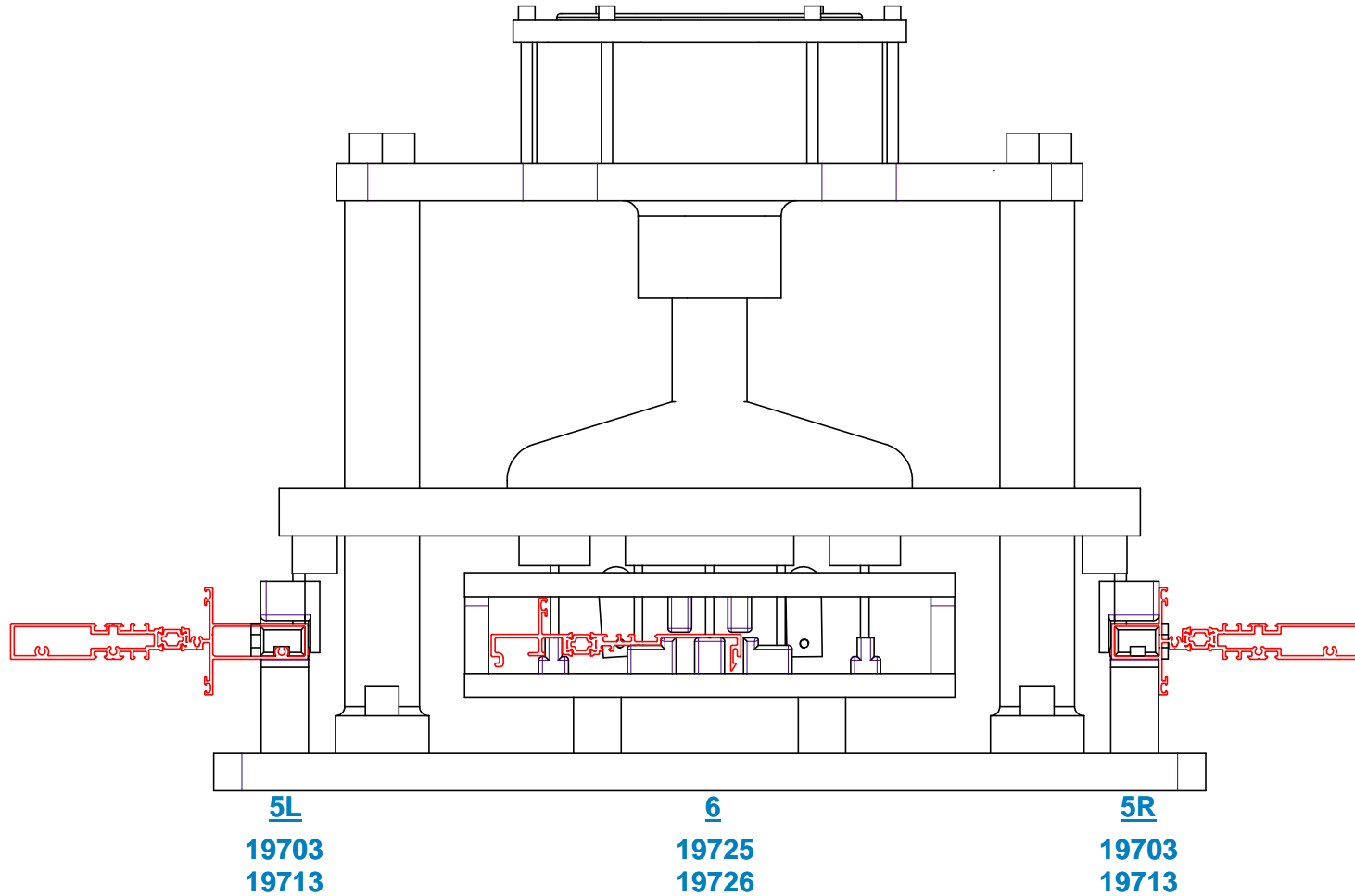
Station	Profile	Perforation
1	19702 / 19712	3 holes - 5 1/4" + 6 1/4"
2	19702 / 19703 / 19712 / 19713 / 19725 / 19726	notch - top / center / bottom - 5 1/4" + 6 1/4"
3	19701 / 19731	drain oval hole - 5 1/4" + 6"
4	19703 / 19713	drain hole - 5 1/4" + 6 1/4"

# ALUMICOR - Rainblade 1970

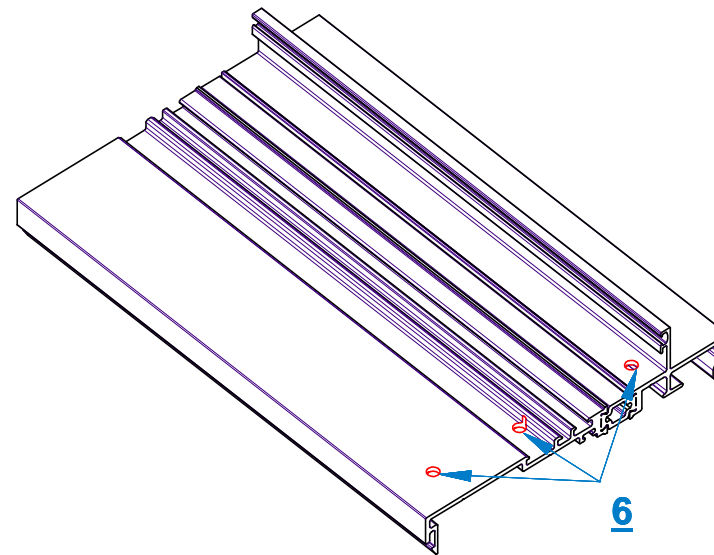
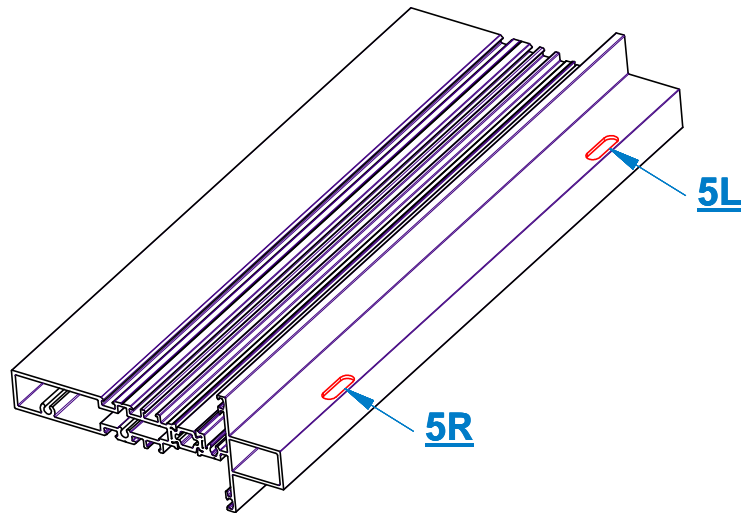




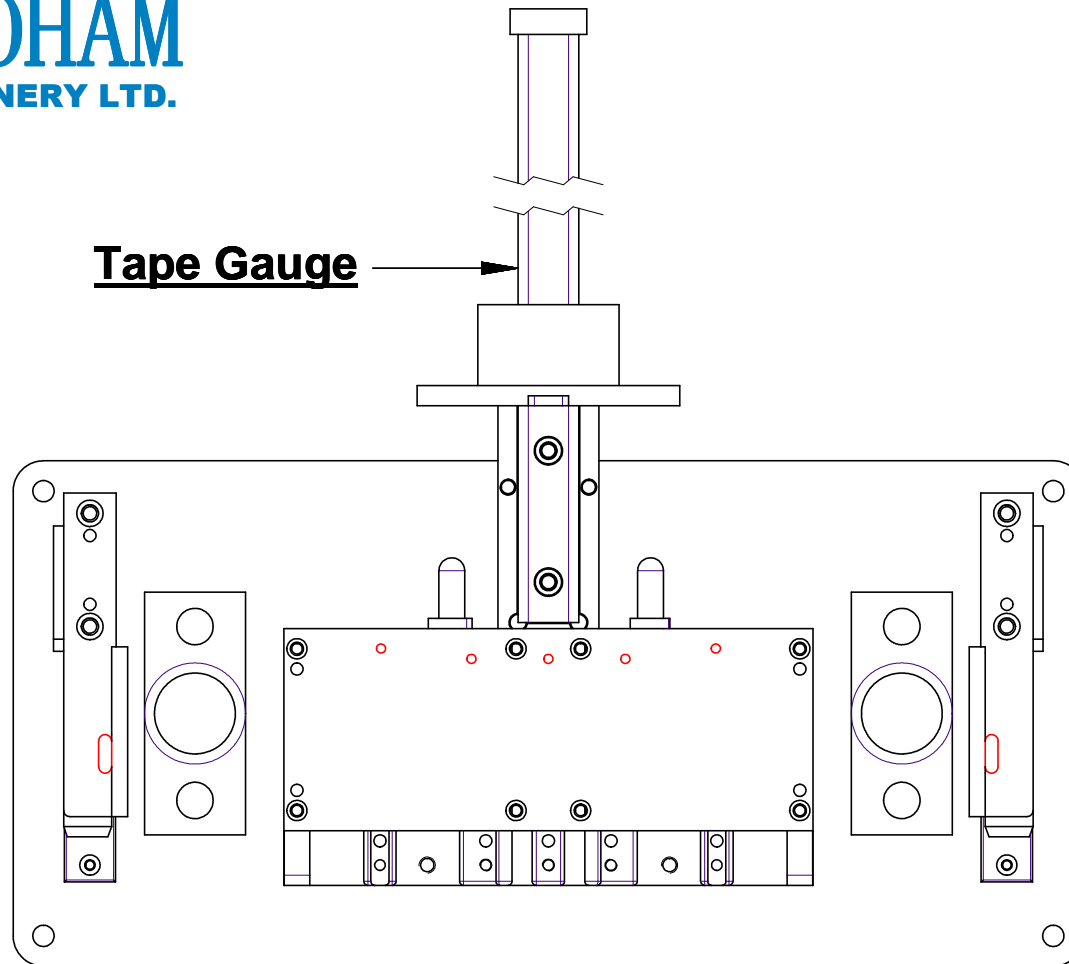
# ALUMICOR - Rainblade 1970



## ALUMICOR - Rainblade 1970



# ALUMICOR - Rainblade 1970



Station	Profile	Perforation
5L / 5R	19703 / 19713	drain oval hole - 5 1/4" + 6 1/4"
6	19725 / 19726	3 holes - 5 1/4" (split mullion)